

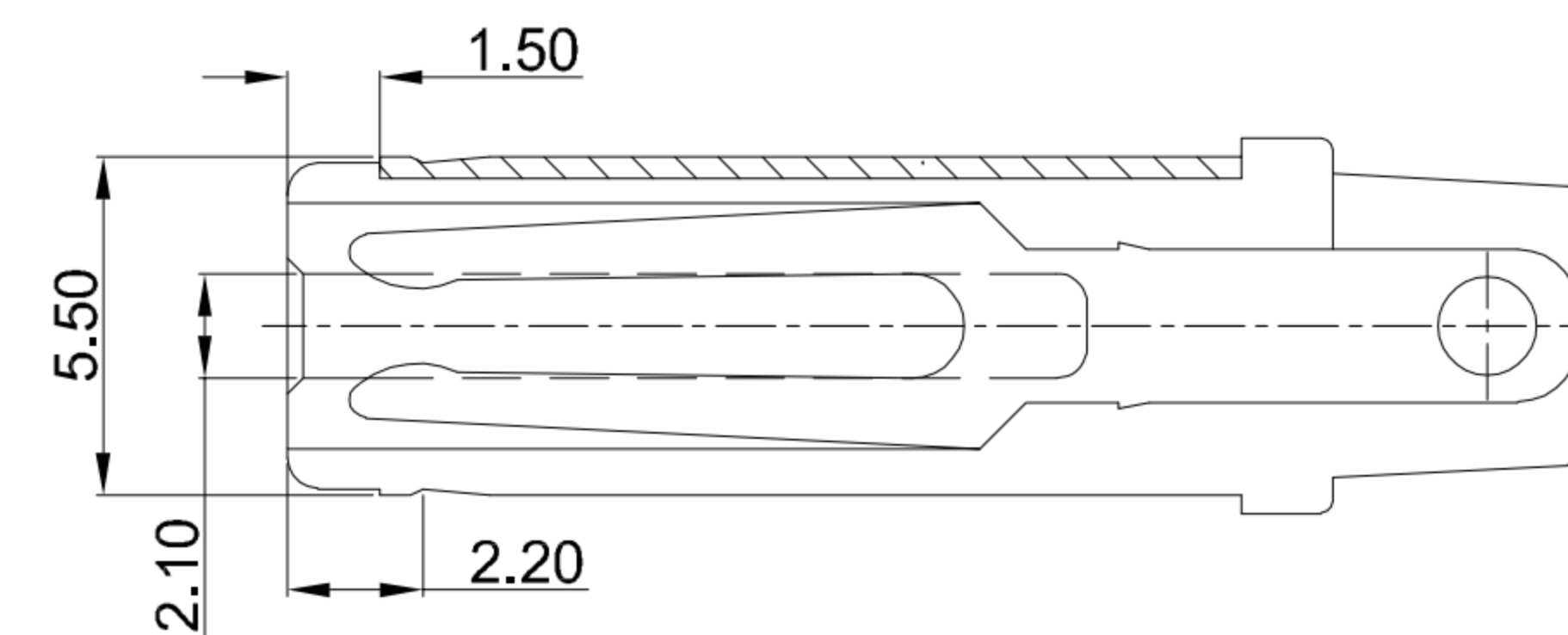
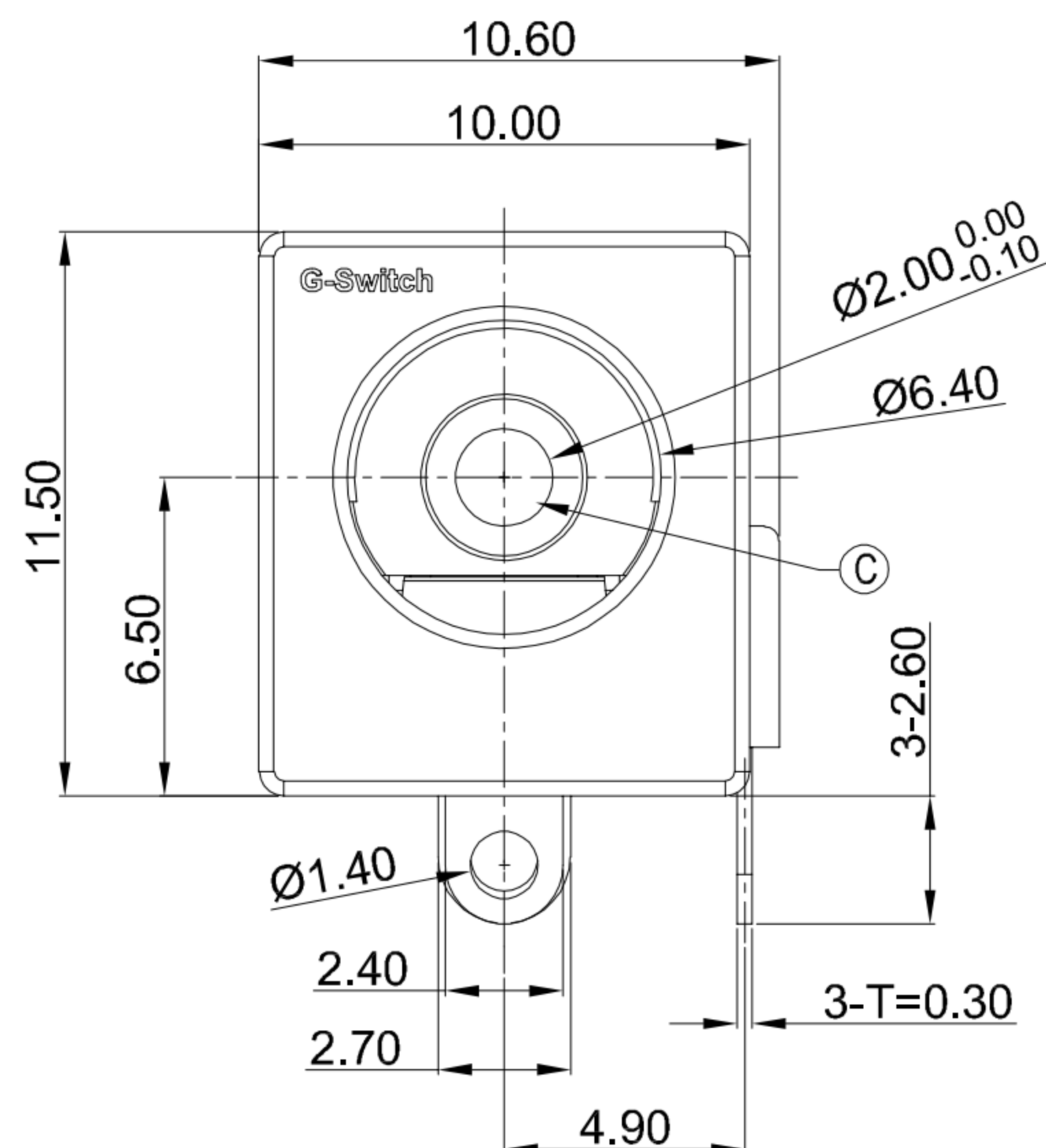
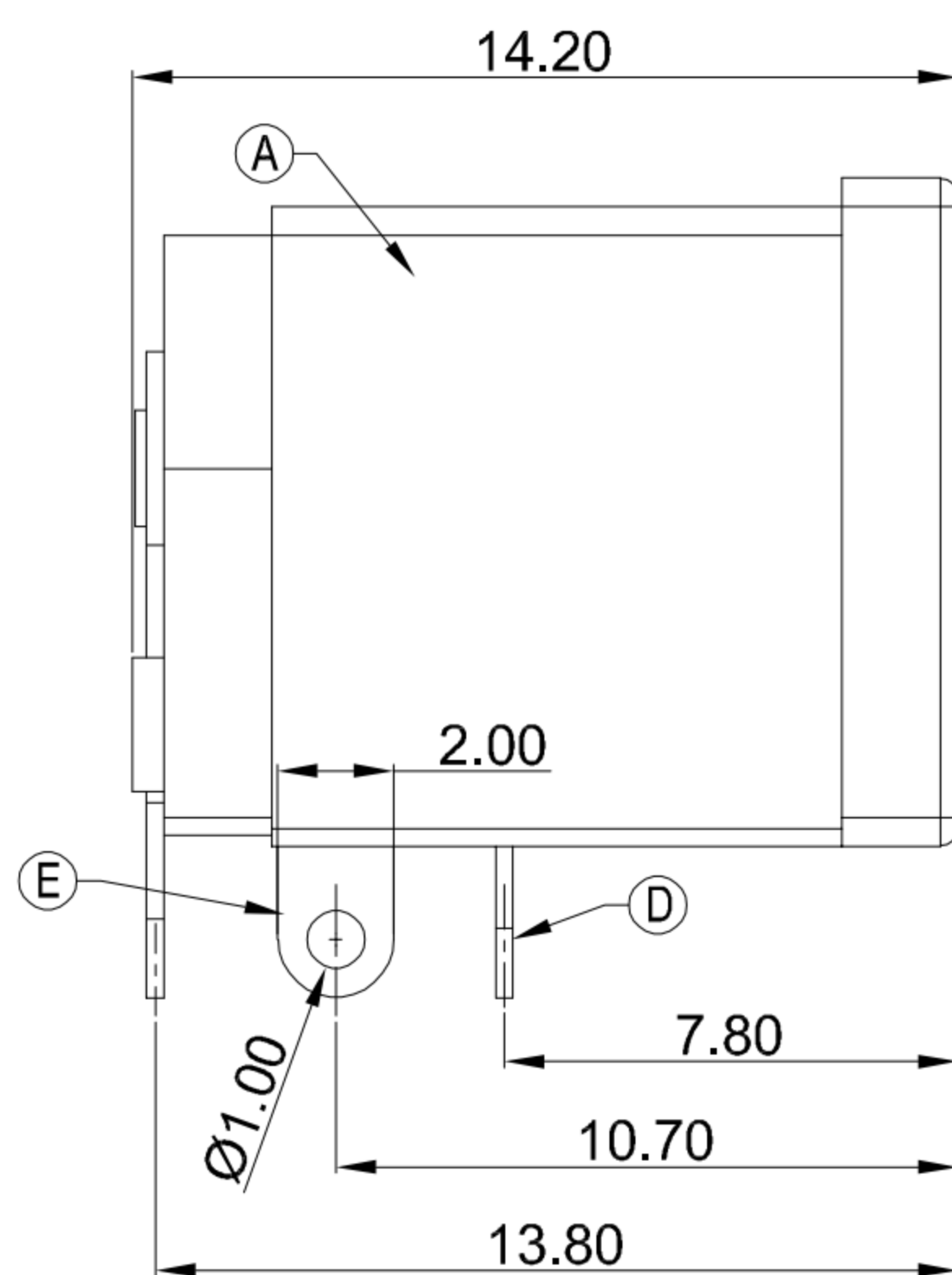
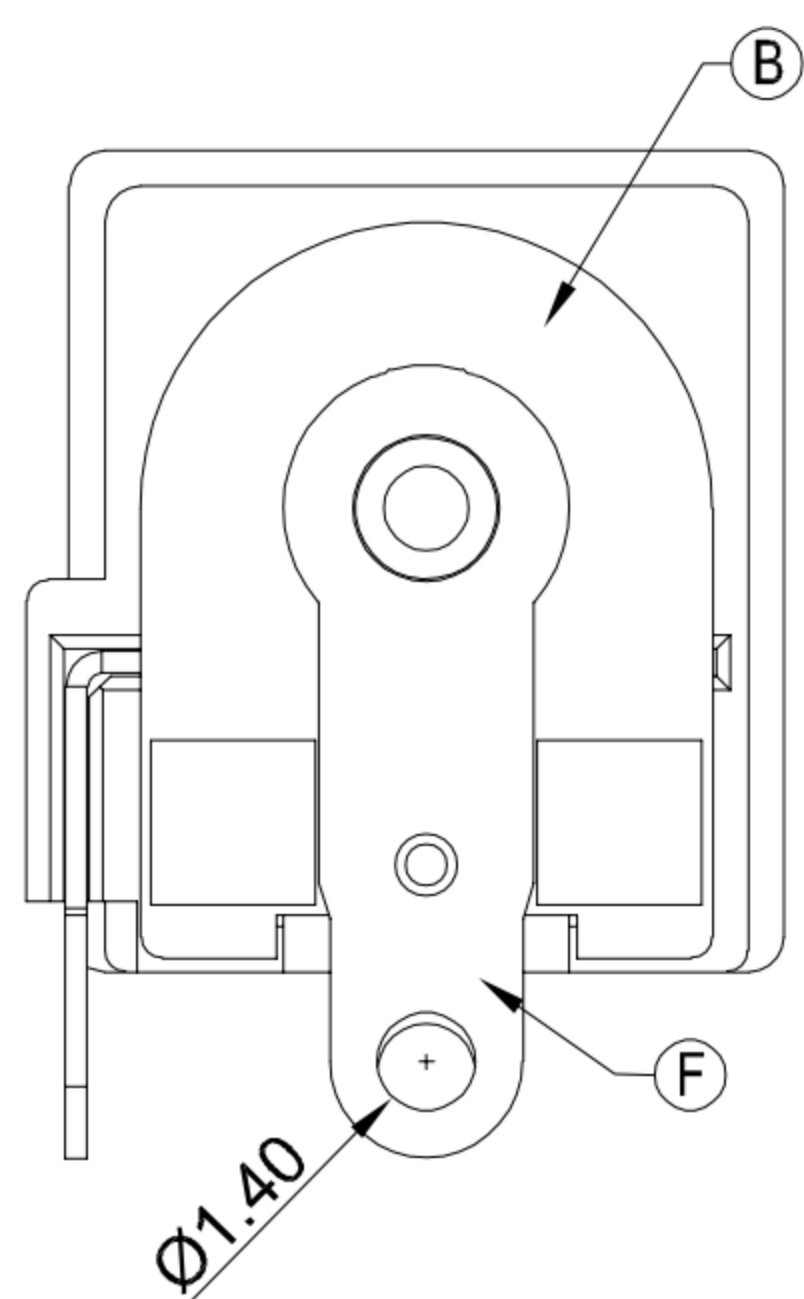
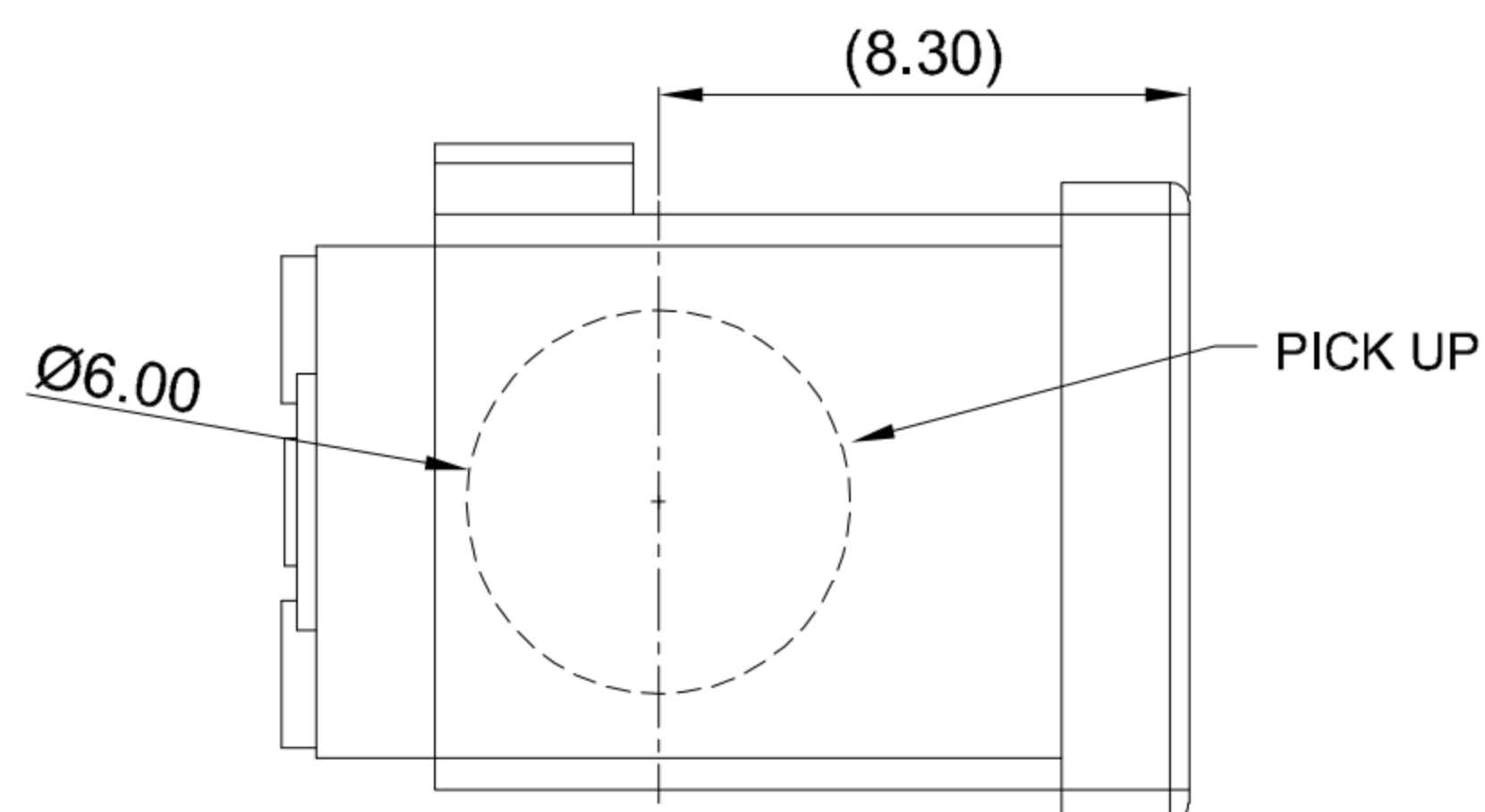
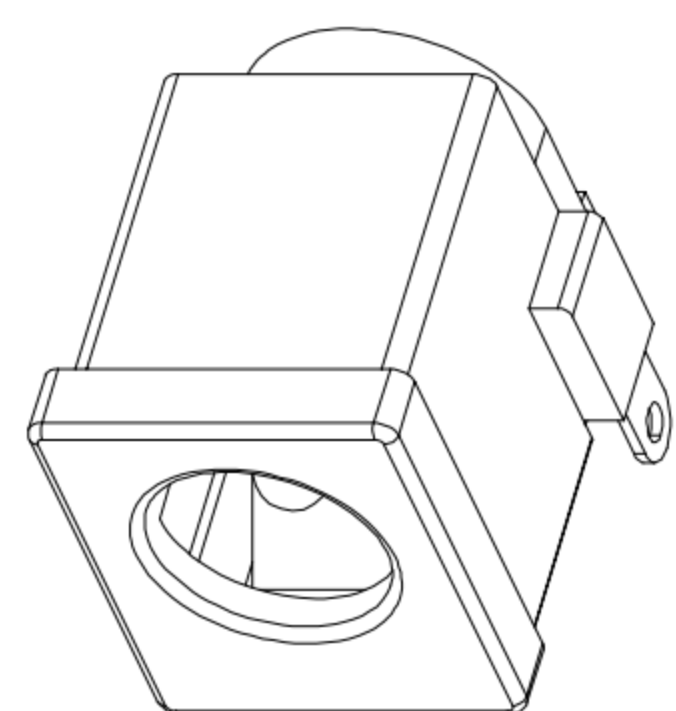
A

B

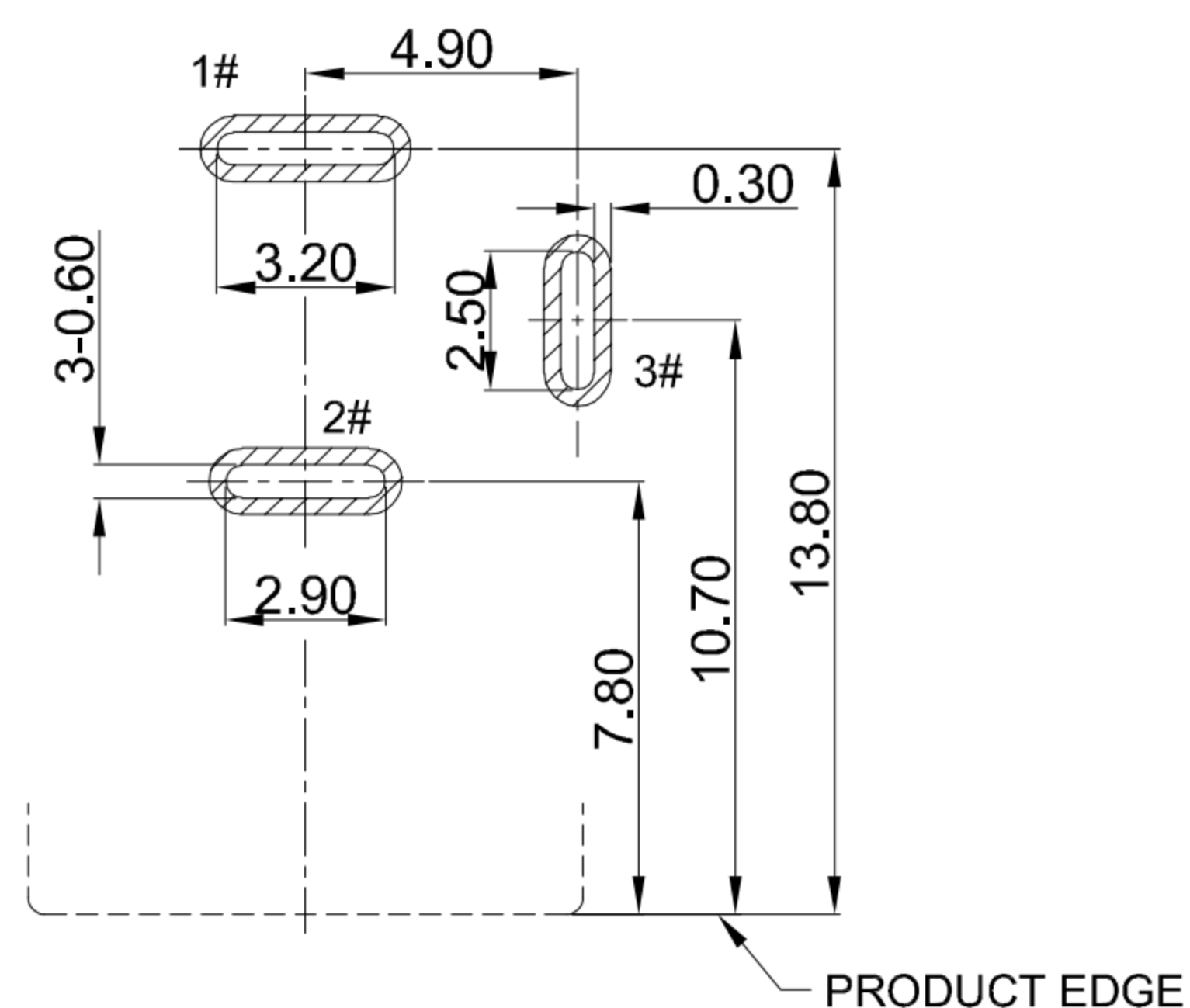
C

D

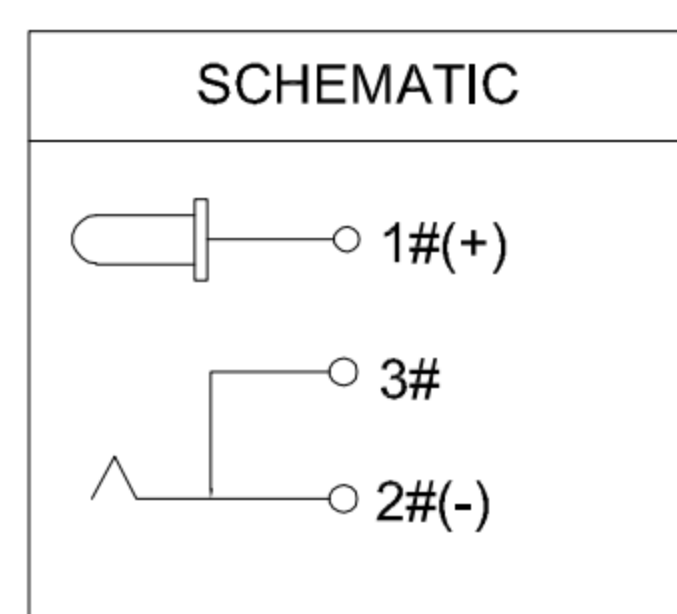
E



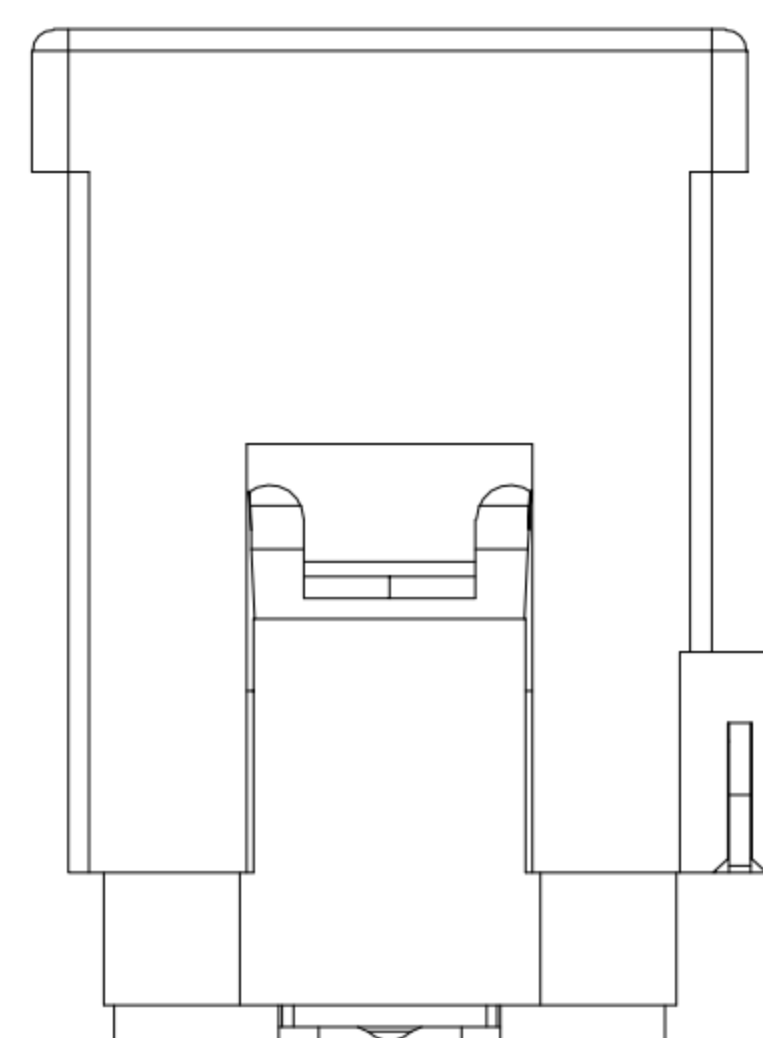
MATING PLUG Ø5.5xØ2.1mm



RECOMMENDED PCB LAYOUT
TOLERANCE:±0.05



CIRCUIT DIAGRAM



G-Switch Specification:

- 1. Operating temperature range: -40°C ~ +85°C
- 2. Rated load: 5A.60V DC
- 3. Insulation resistance: 100MΩ min
- 4. Withstand voltage: 500V AC/min
- 5. Contact resistance: 30mΩ max
- 6. Durability cycle: 5000 Cycles
- 7. Insertion and extraction force: 6-30N

A	HOUSING	HIGH TEMPERATURE PLASTIC	LCP BLACK
B	COVER	HIGH TEMPERATURE PLASTIC	LCP BLACK
C	CENTER PIN	BRASS	GOLD FLASH/Ni
D	SPRING	COPPER ALLOY	GOLD FLASH Sn/Ni
E	SHUNT	BRASS	Sn PLATING
F	PLATE	BRASS	Sn PLATING
NO.	PART NAME	MATERIAL	REMARK



SCALE: 1:1 UNIT: mm
 SIZE: A4

Unless otherwise
 General tolerance:
 X ±0.50
 X.x ±0.30
 X.xx ±0.20
 X.xxx ±0.10
 X.x° ±3°

Title: Horizontal DC Power Jack 5521
 DIP CH=6.5 L=14.2 Ø2.0mm

Molde Code: DC-S006A-D020-5A

DRAWN	CHECKED	APPROVED	DATE
Xia	Chen	Chen	2023.02.01



REV: A0 SHEET: 1/1

A

B

C

D

E

X-ON Electronics

Largest Supplier of Electrical and Electronic Components

Click to view similar products for [DC Power Connectors](#) category:

Click to view products by [G-Switch](#) manufacturer:

Other Similar products are found below :

[KLDX-SMT-0202-BPTR](#) [171-0722-E](#) [K596](#) [KLD-0201-BC](#) [4C6831AX](#) [10073976-112LF](#) [LCB60PW-M](#) [LCB30PW-M](#) [LCB60PB-M](#)
[LCC30PB-M](#) [LCB50PW-M](#) [LCB50-M](#) [LCB60-F](#) [LCC30-M](#) [LCB40PW-M](#) [LCC30PW-M](#) [LCB50-F](#) [LCB40-F](#) [LCB30-F](#) [LCC40-M](#)
[LCC40PB-M](#) [LCB40PB-M](#) [LCC40-F](#) [LCB60-M](#) [LCC40PW-M](#) [LCB50PB-M](#) [DC-002-100](#) [DC-031A-130](#) [DC-031A-100](#) [DC-003A-130](#)
[DC-045-130](#) [DC-192-130](#) [DC-033-130](#) [DC-011-100](#) [DC-002F-130](#) [DC-002-130](#) [DB-14-2F](#) [DC-183B](#) [DC-060-04A](#) [DC-099-200](#) [DC-015-](#)
[250-A](#) [DC-016-200-A](#) [DC-005A-200](#) [DC-044A-200](#) [DC-088-200](#) [DC-022A-200](#) [DC-038-150](#) [DC-012A-250](#) [DC-005C-130](#) [DC-012A-200](#)