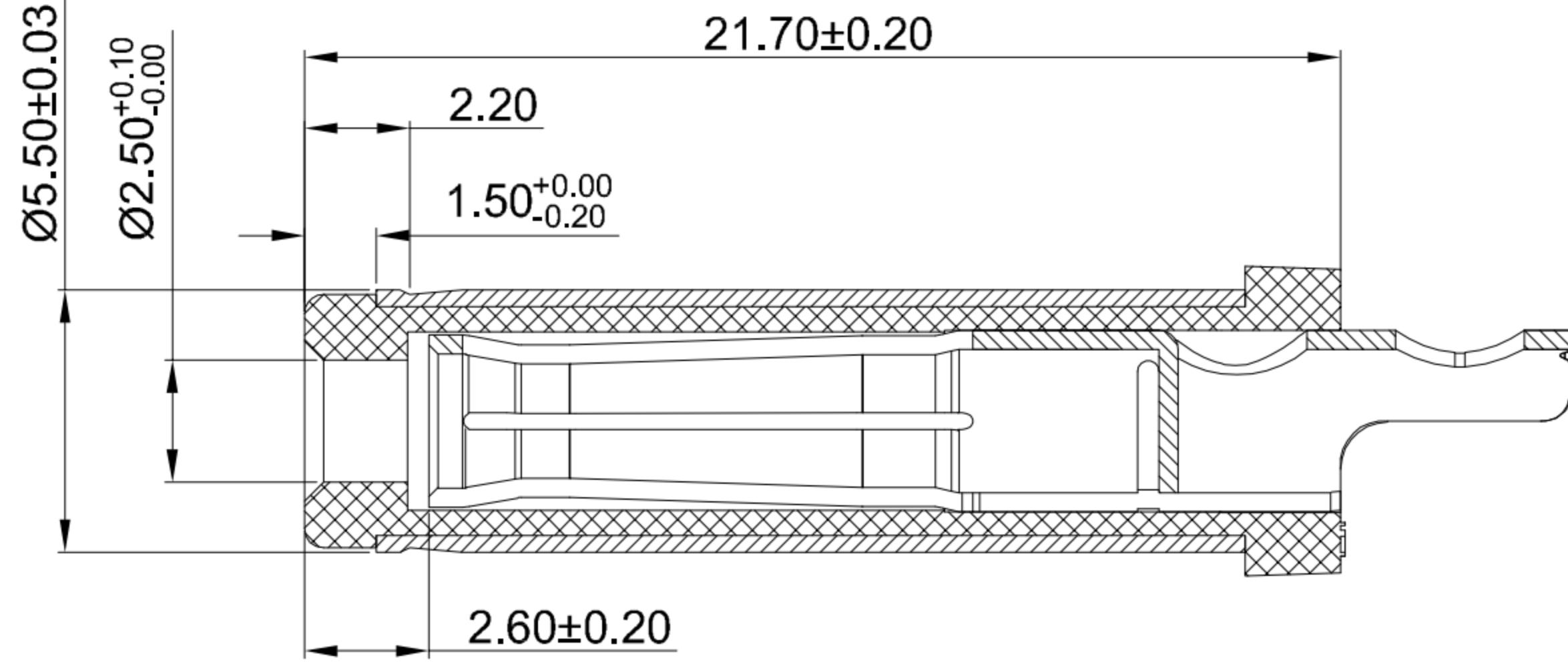
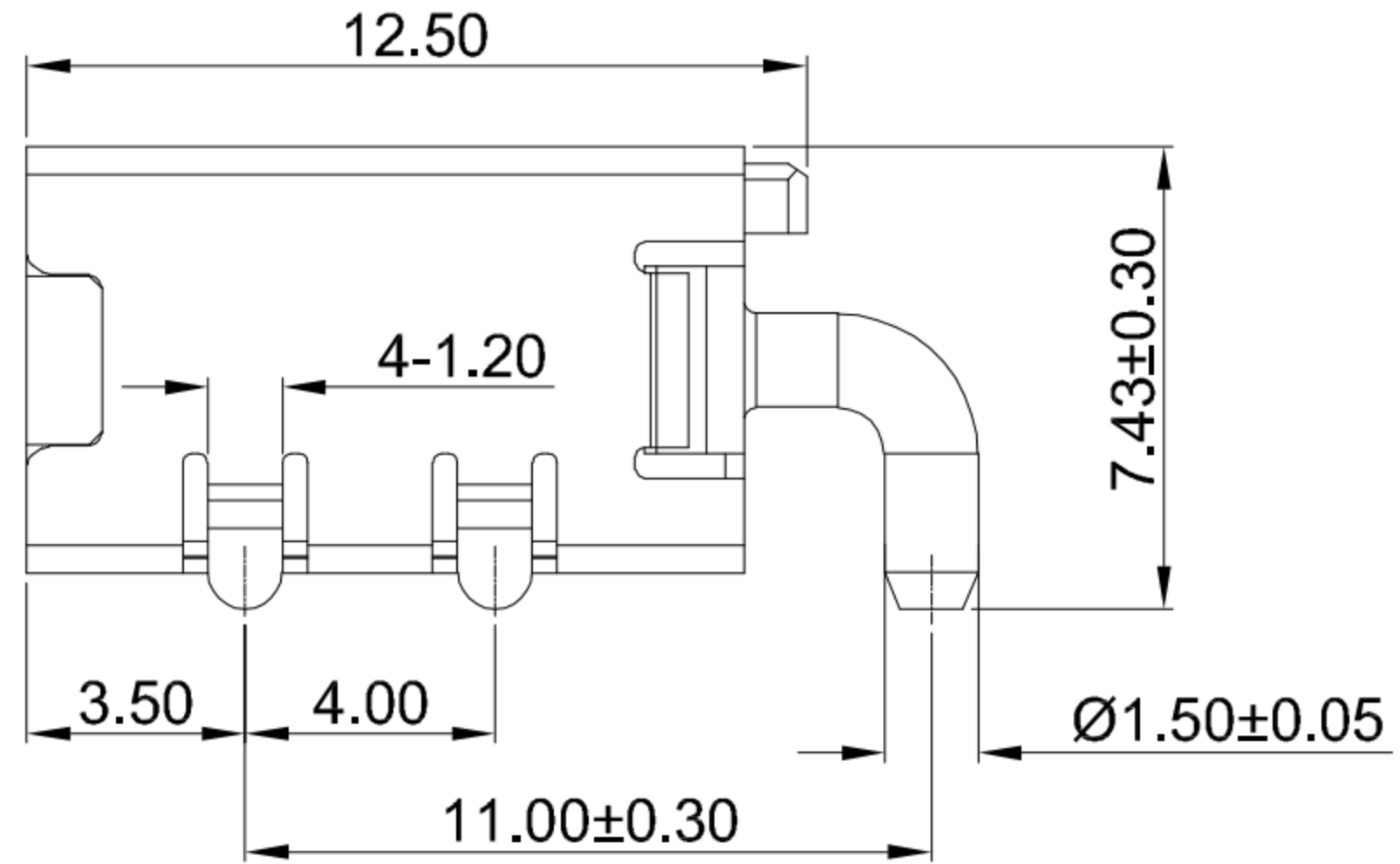
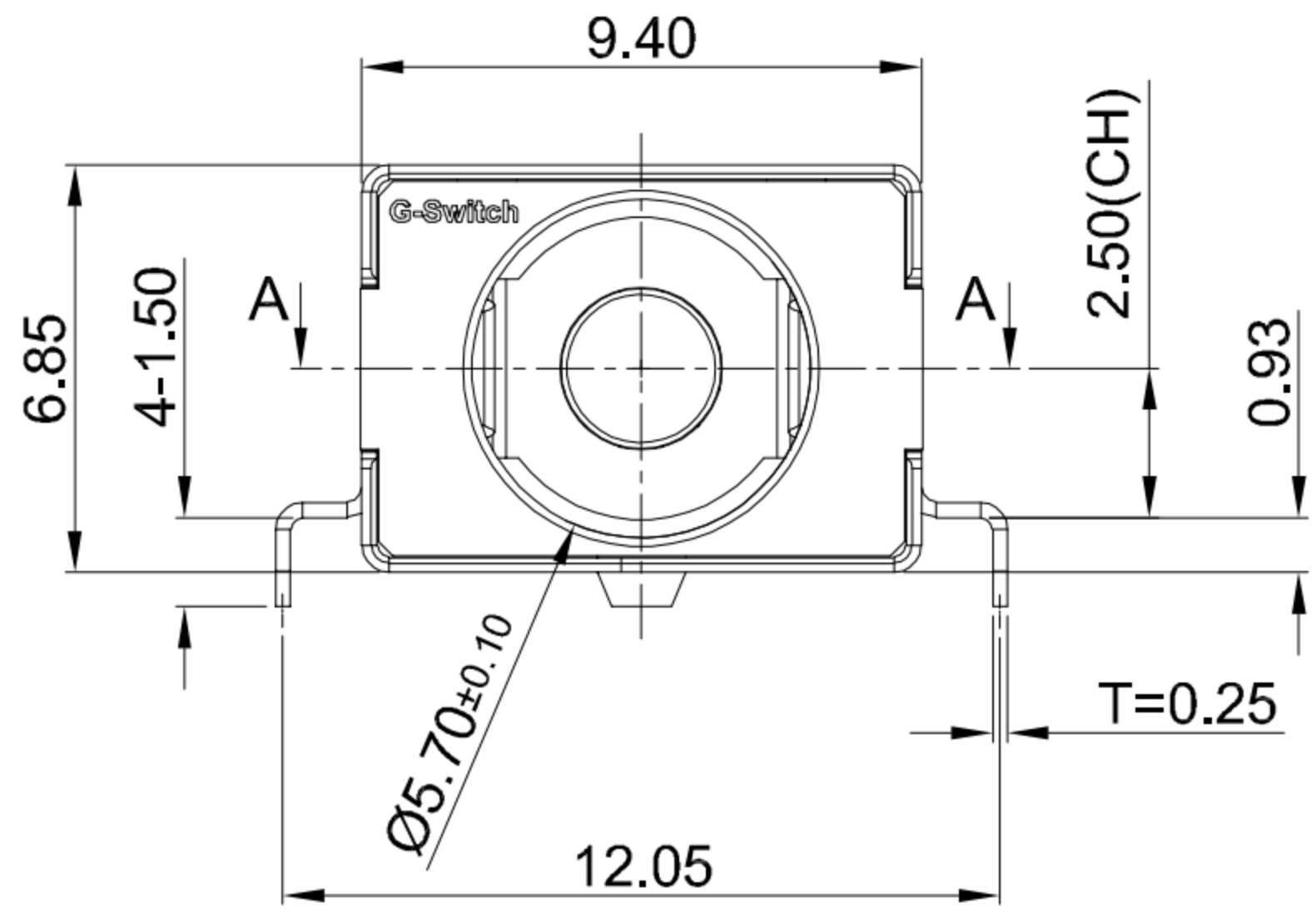
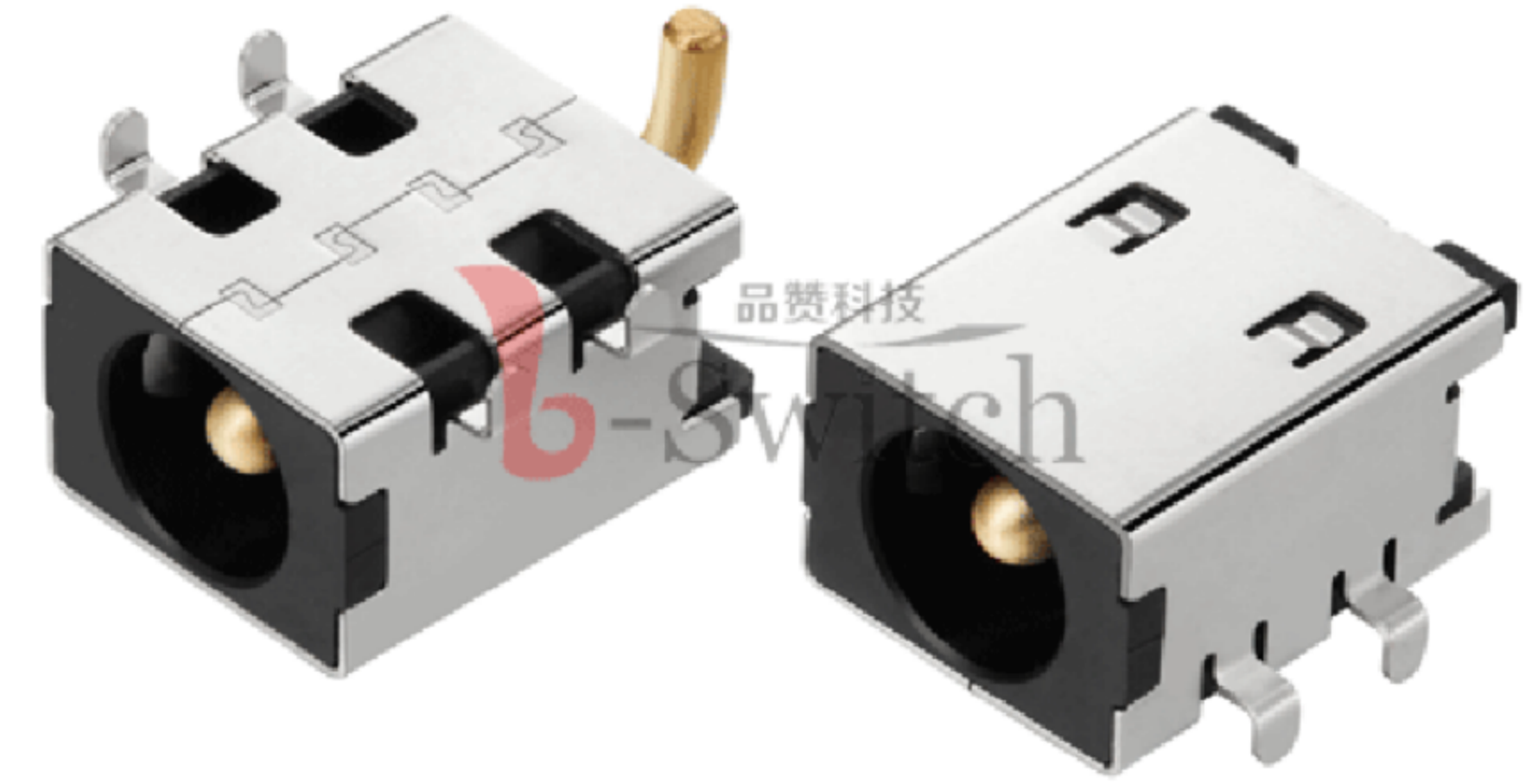
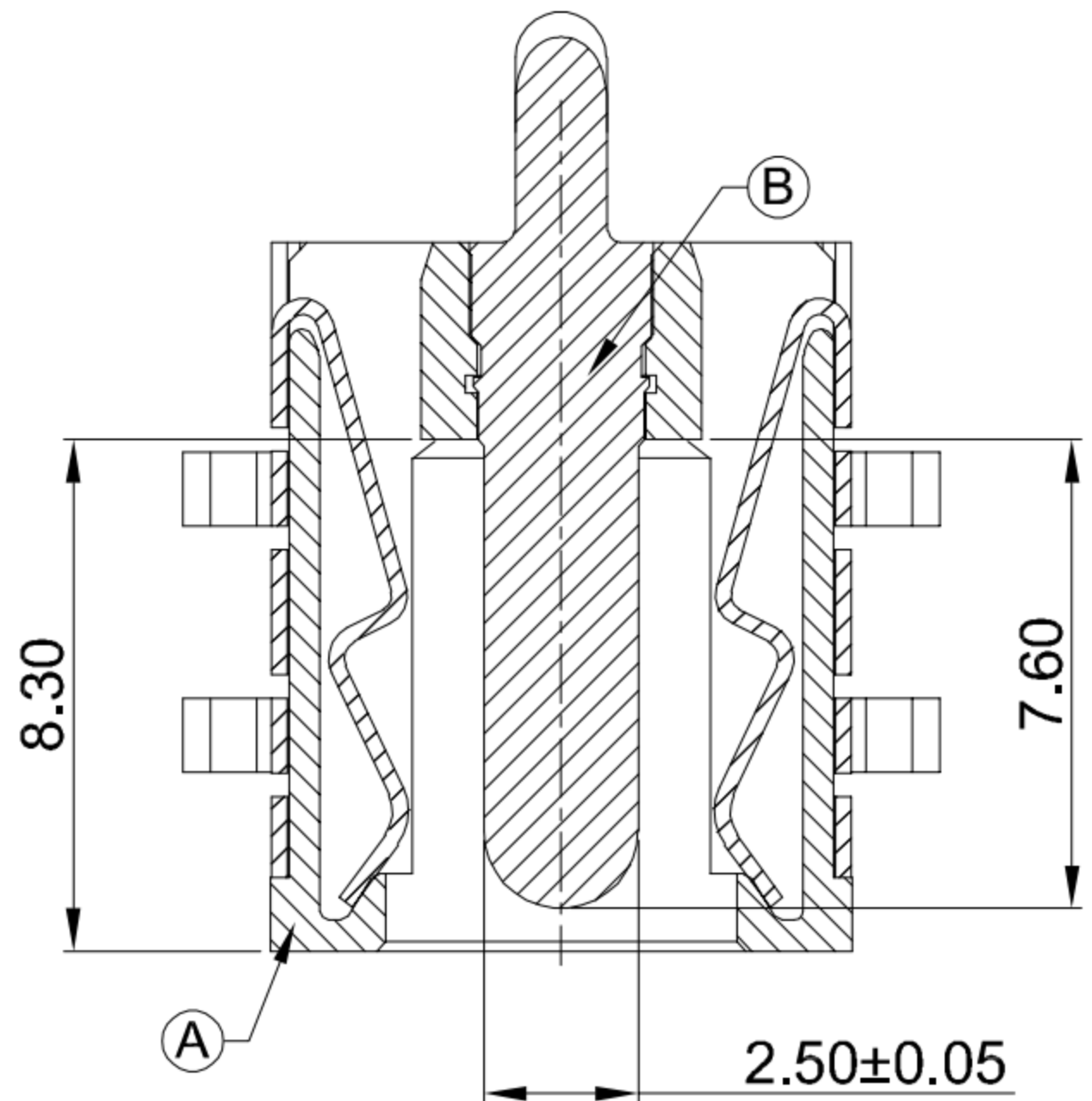


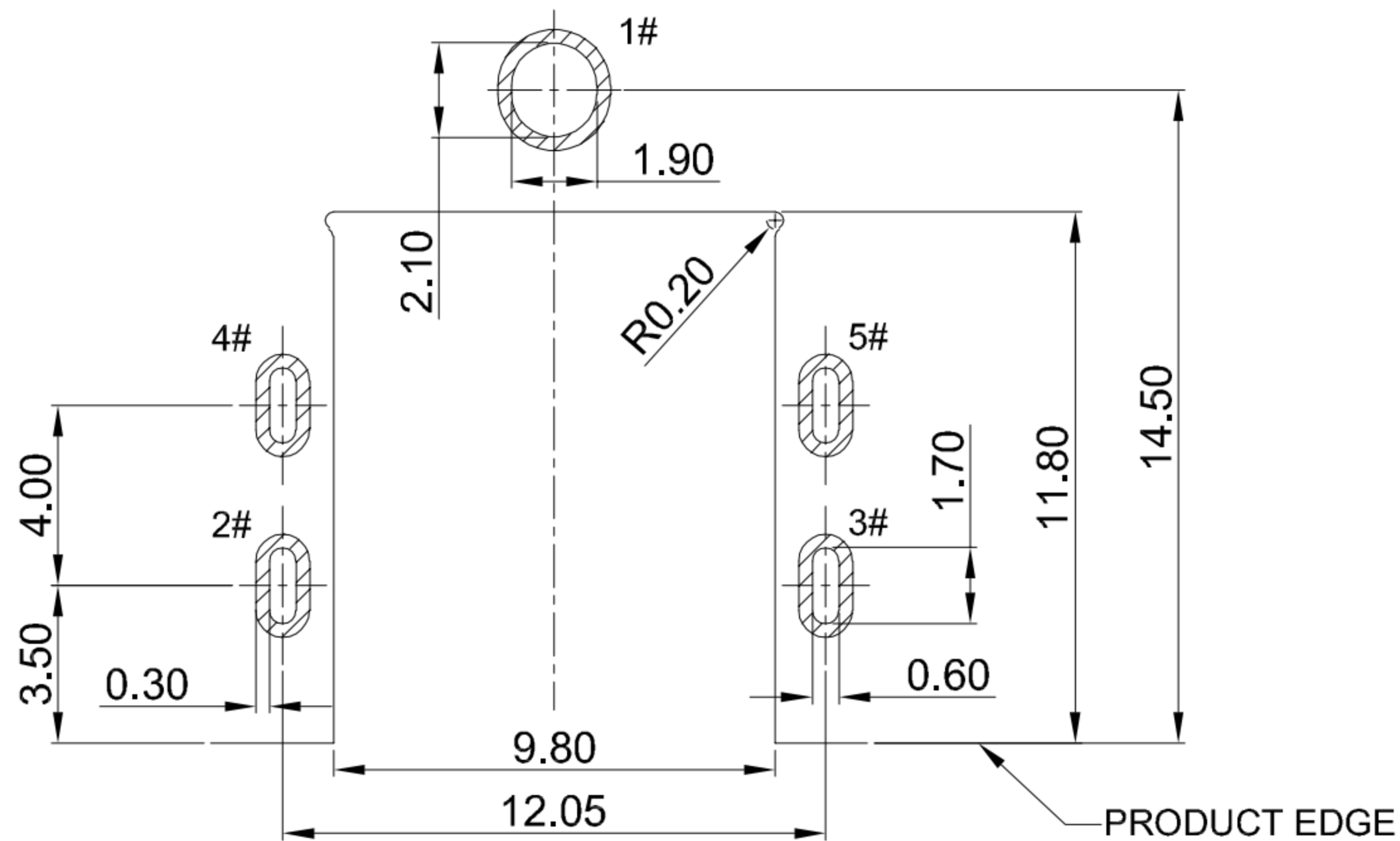
CIRCUIT DIAGRAM



MATING PLUG Ø5.5xØ2.5mm



SECTION A-A



RECOMMENDED PCB LAYOUT
TOLERANCE:±0.05

- G-Switch Specification:**
1. Operating temperature range: -40°C ~ +85°C
 2. Rated load: 15A.30V DC
 3. Insulation resistance: 100MΩ min
 4. Withstand voltage: 500V AC/min
 5. Contact resistance: 30mΩ max
 6. Durability cycle: 5000 Cycles
 7. Insertion and extraction force: 3-30N

| | | | |
|-----|------------|--------------------------|---------------|
| A | HOUSING | HIGH TEMPERATURE PLASTIC | PA10T BLACK |
| B | CENTER PIN | BRASS | GOLD FLASH/Ni |
| C | SHELL | C5210 | Ni PLATING |
| NO. | PART NAME | MATERIAL | REMARK |



| | |
|-------------------------------------|----------|
| SCALE: 1:1 | UNIT: mm |
| SIZE: A4 | |
| Unless otherwise General tolerance: | |
| X | ±0.50 |
| X.x | ±0.30 |
| X.xx | ±0.20 |
| X.xxx | ±0.10 |
| X.x° | ±3° |

| | | | |
|---|---------|----------|------------|
| Title: Horizontal DC Power Jack 5525 DIP Sink0.93 CH=2.5 L=12.5 Ø2.5mm | | | |
| Molde Code: DC-S007A-D025-15A | | | |
| DRAWN | CHECKED | APPROVED | DATE |
| Xia | Chen | Chen | 2023.02.01 |



REV: A0 SHEET: 1/1

X-ON Electronics

Largest Supplier of Electrical and Electronic Components

Click to view similar products for [DC Power Connectors](#) category:

Click to view products by [G-Switch](#) manufacturer:

Other Similar products are found below :

[163-0308-EX](#) [163-4012-EX](#) [163-4117-EX](#) [163-MJ22-EX](#) [171-0721-EX](#) [KLDX-SMT-0202-BPTR](#) [163-0179-EX](#) [163-4015-EX](#) [171-0722-E](#)
[K596](#) [KLD-0201-BC](#) [4C6831AX](#) [LCB60PW-M](#) [LCB30PW-M](#) [LCB60PB-M](#) [LCC30PB-M](#) [LCB50PW-M](#) [LCB50-M](#) [LCB60-F](#) [LCC30-M](#)
[LCB40PW-M](#) [LCC30PW-M](#) [LCB50-F](#) [LCB40-F](#) [LCC40-M](#) [LCC40PB-M](#) [LCB40PB-M](#) [LCC40-F](#) [LCB60-M](#) [LCC40PW-M](#) [LCB50PB-M](#)
[513820200](#) [DC-S014A-D025-20A](#) [DC007B-2.5-J](#) [DC005-2.5](#) [DC005-2.5-T](#) [DC-S019A-D025-10A](#) [DC007B-2.0](#) [DC-018-2.5A-2.5](#) [DC-005-](#)
[A25](#) [DC-005-A20](#) [DC-002-100](#) [DC-031A-130](#) [DC-031A-100](#) [DC-003A-130](#) [DC-045-130](#) [DC-192-130](#) [DC-033-130](#) [DC-011-100](#) [DC-002F-](#)
[130](#)