

A

B

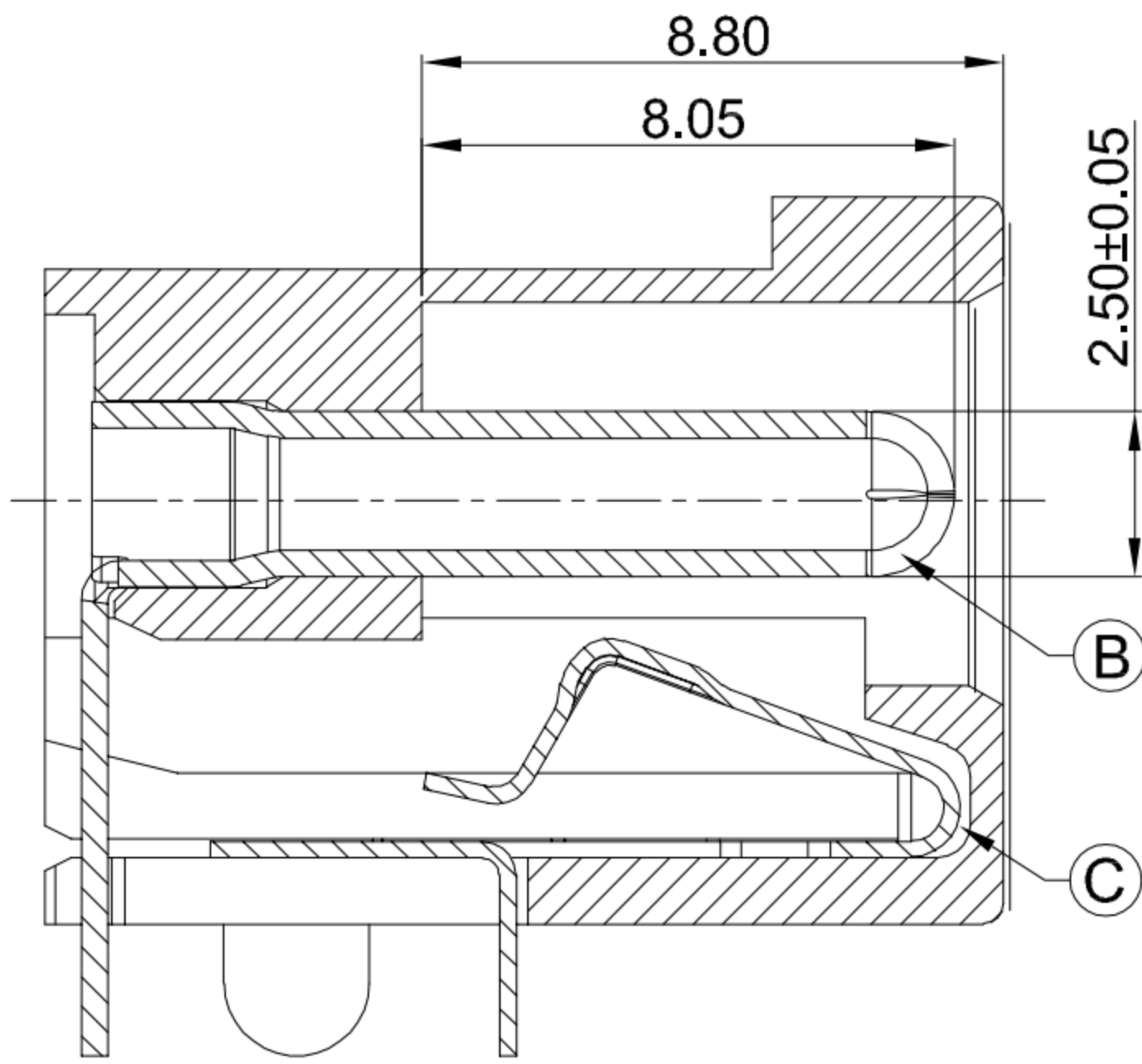
C

D

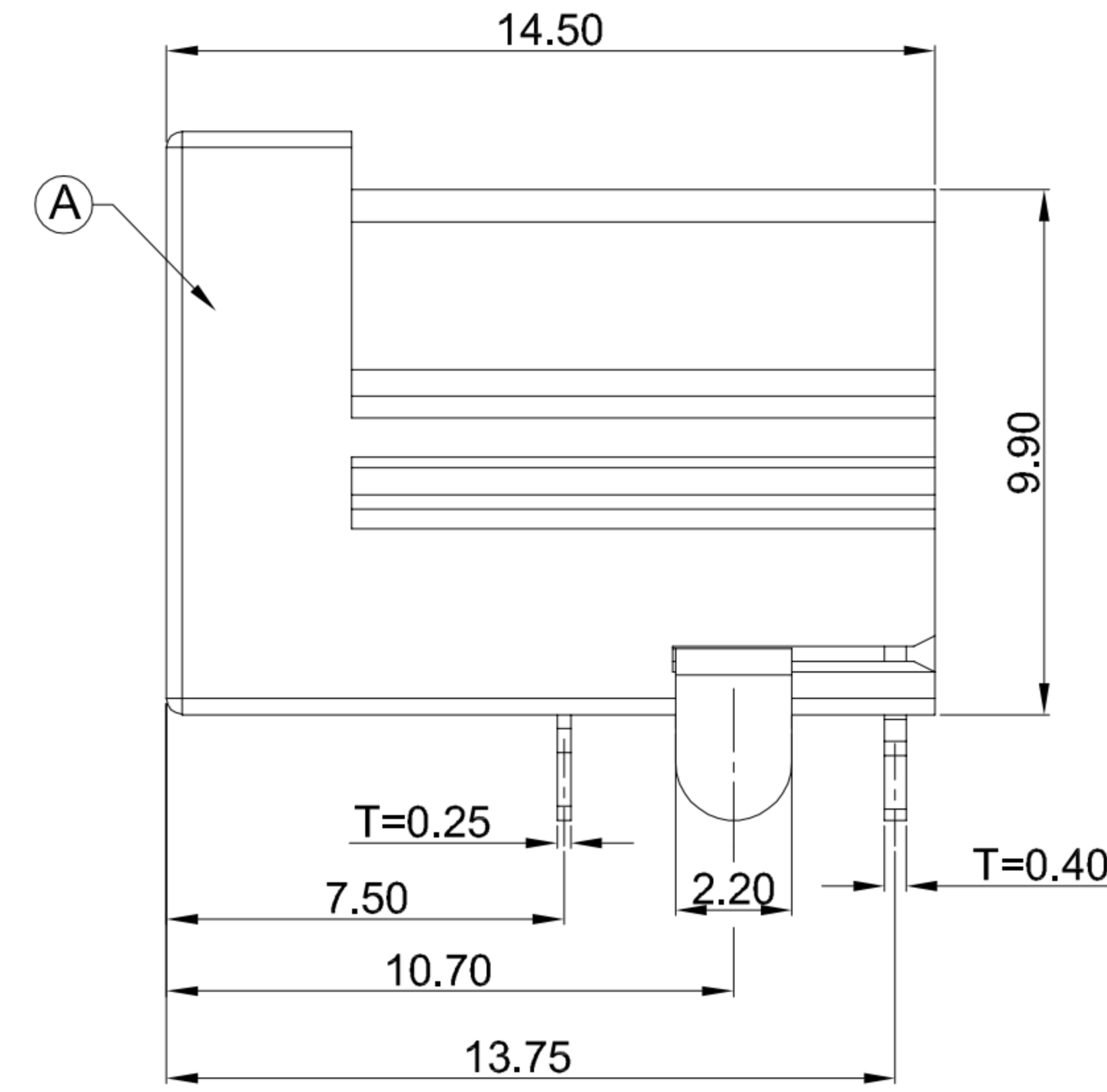
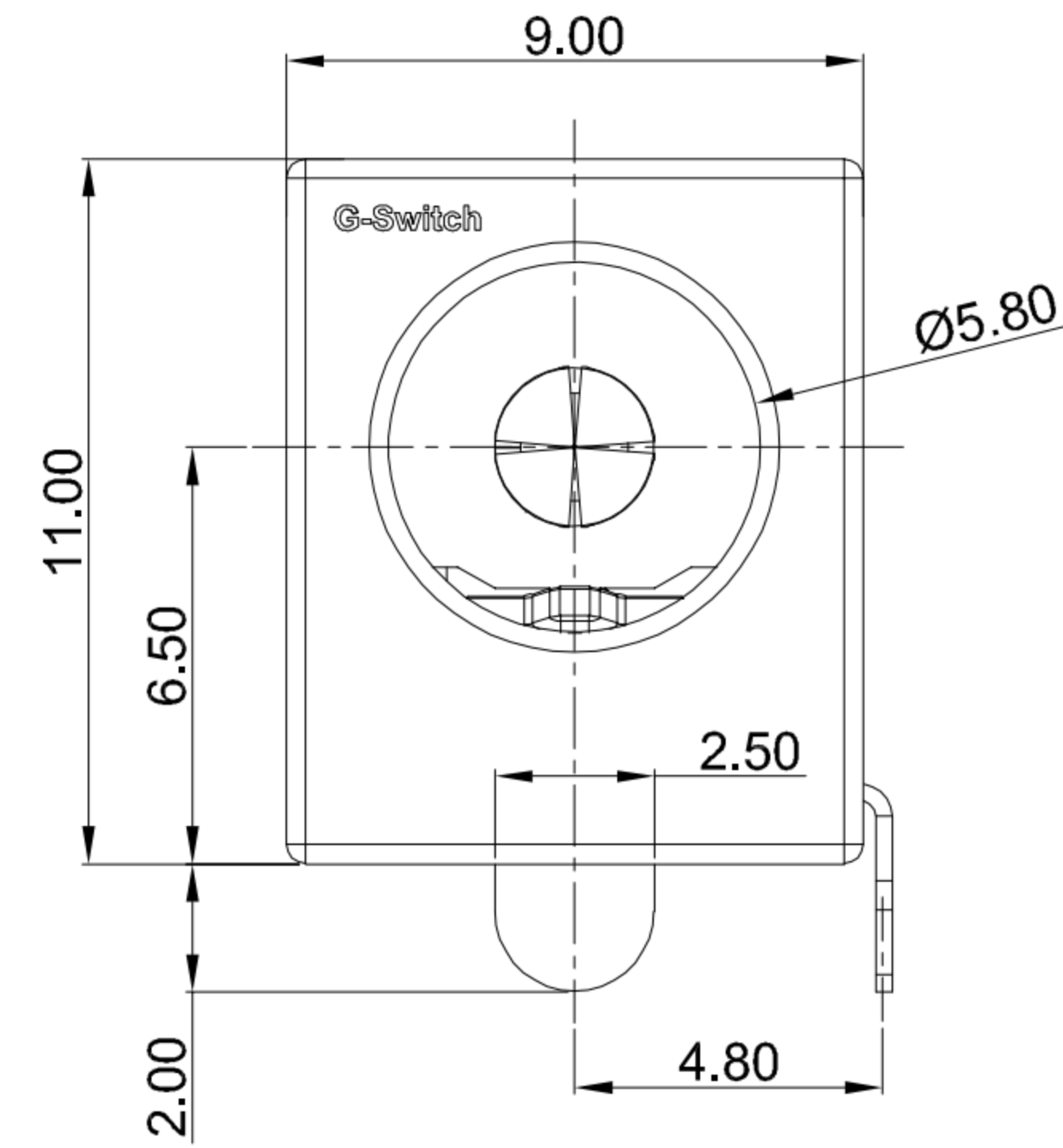
E

1

1

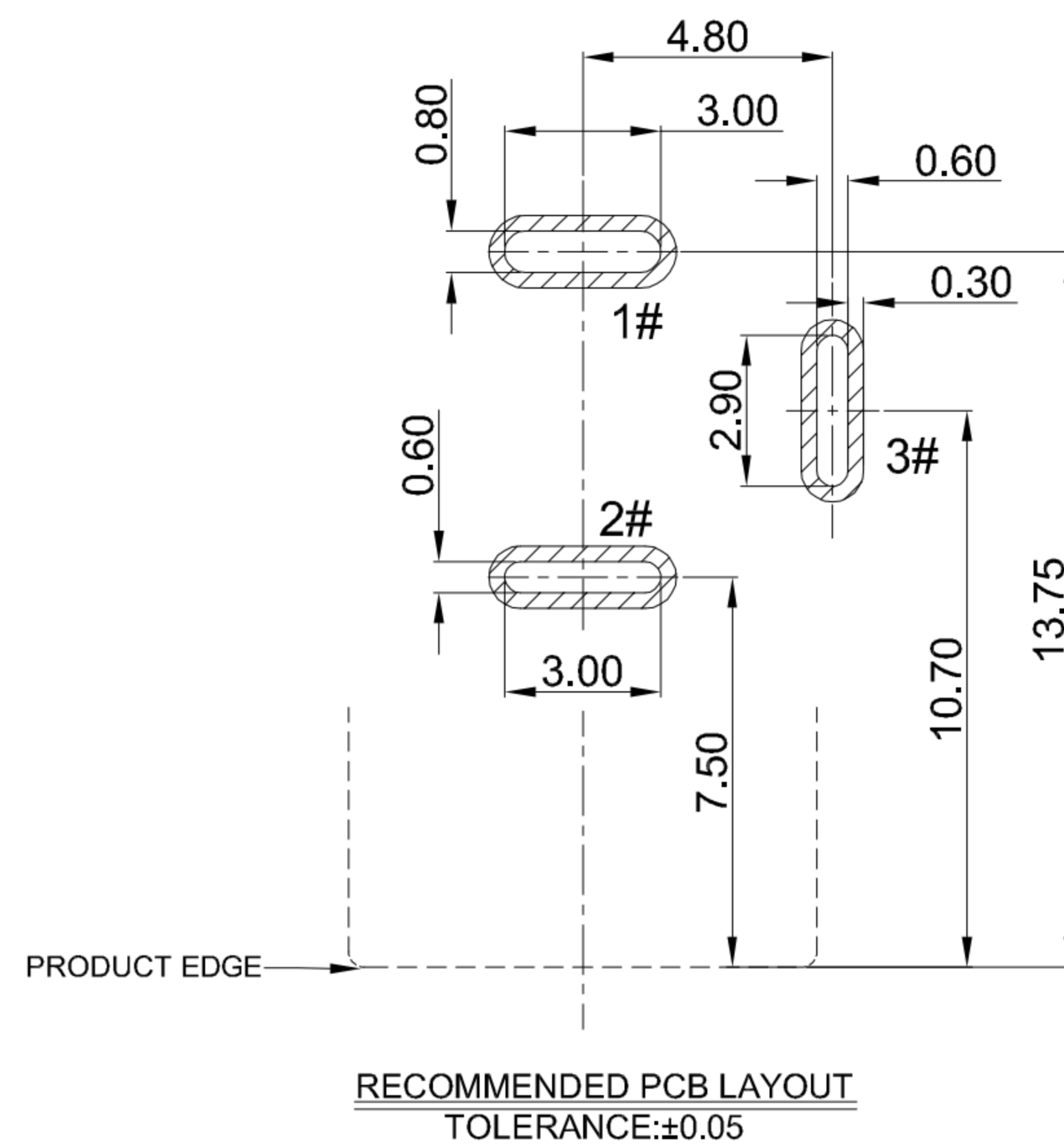
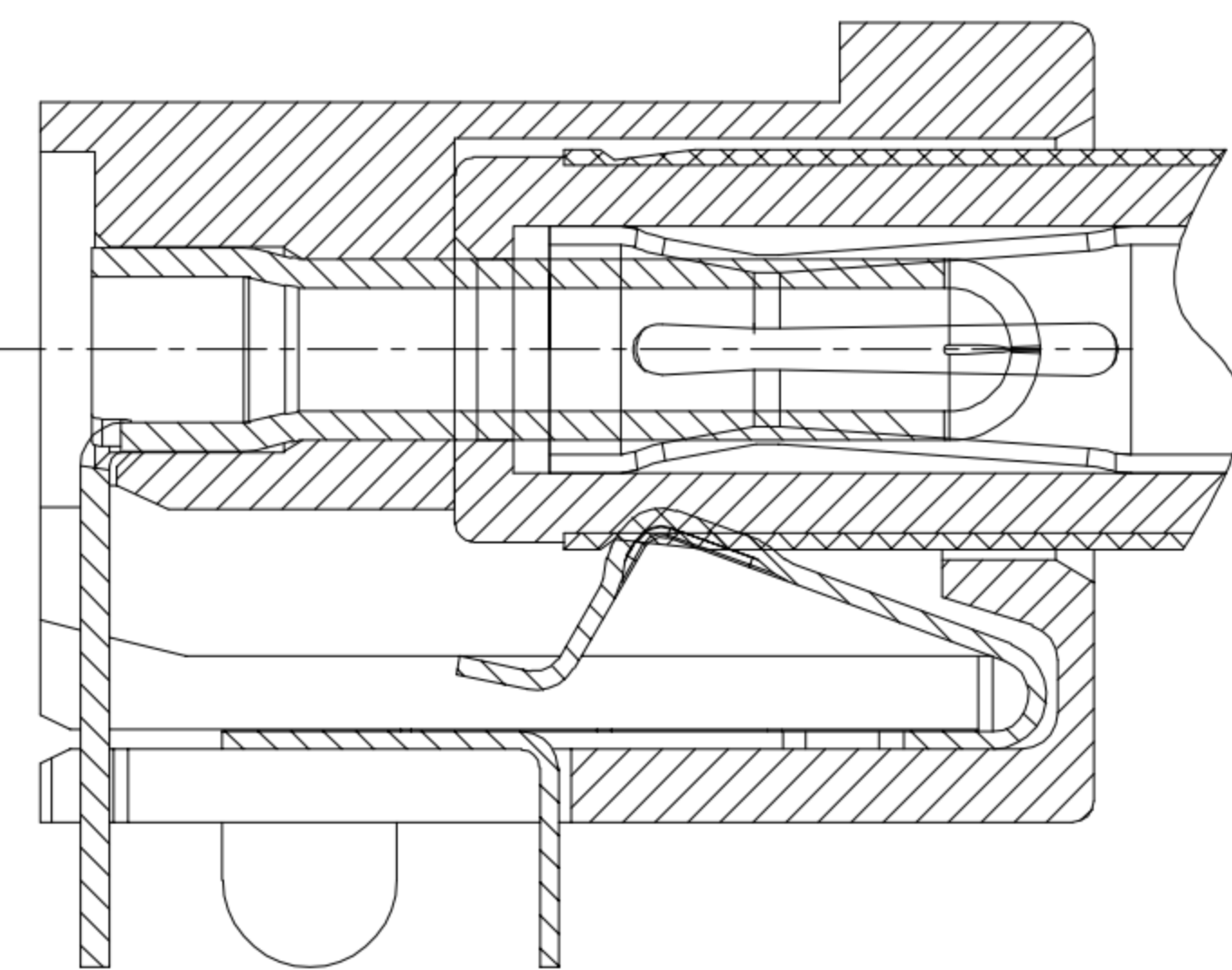


SECTION A-A

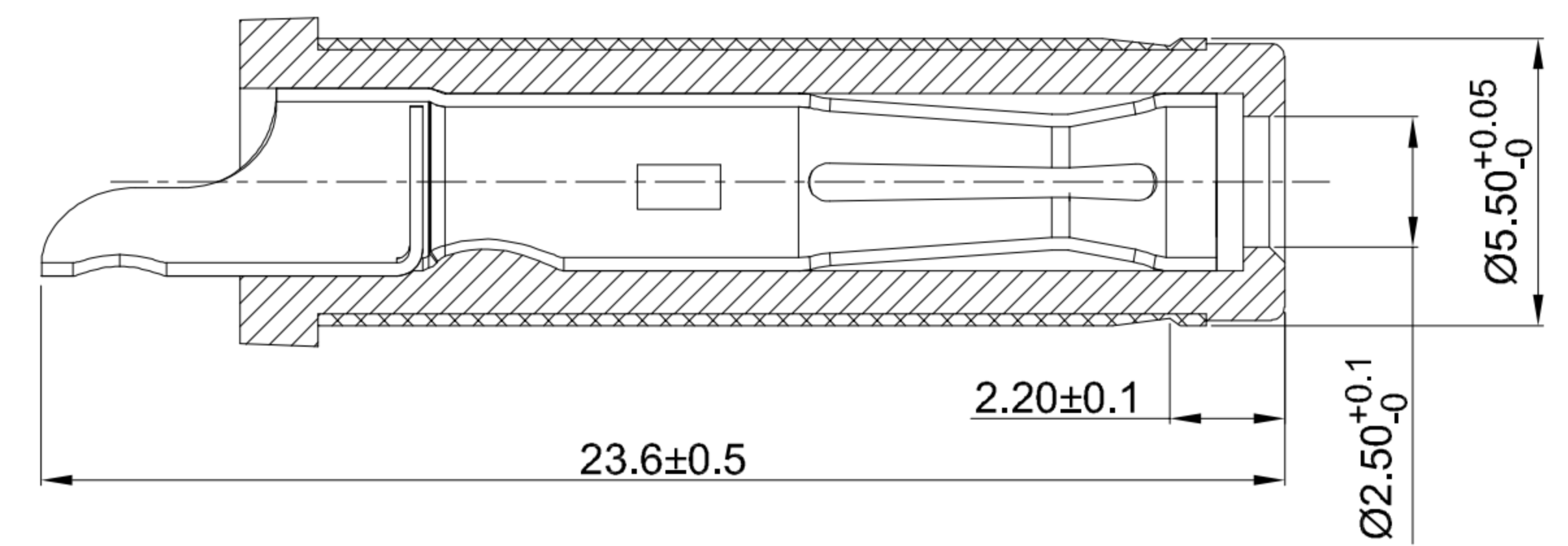


2

2



RECOMMENDED PCB LAYOUT  
TOLERANCE:±0.05

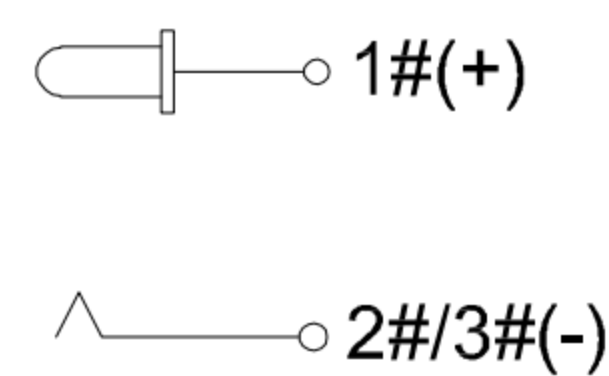


MATING PLUG Ø5.5xØ2.5mm

3

3

SCHMATIC



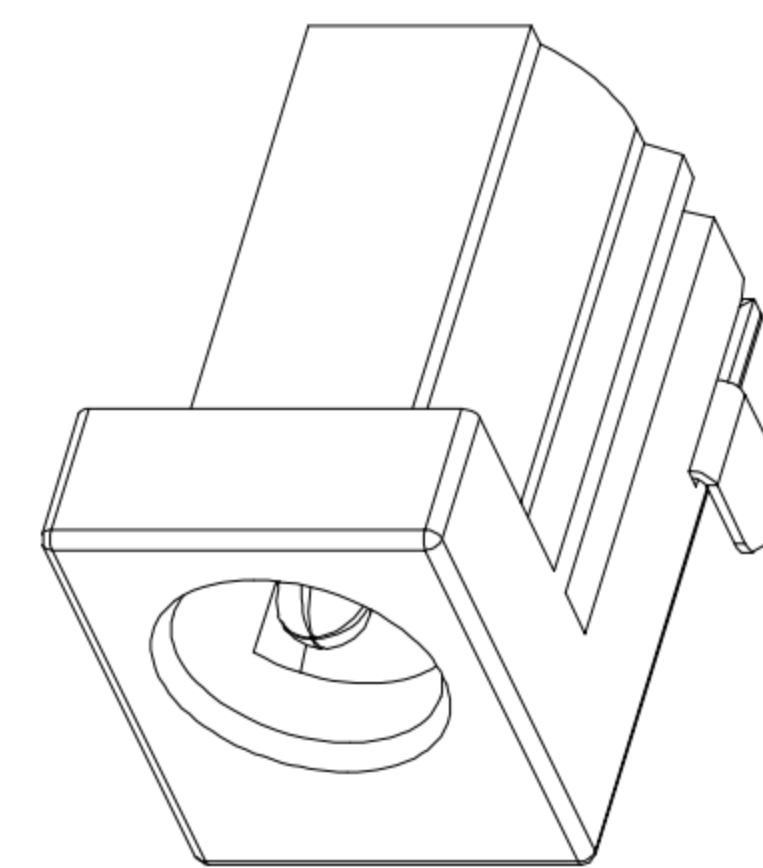
CIRCUIT DIAGRAM

G-Switch Specification:

1. Operating temperature range: -40°C ~ +85°C
2. Rated load: 7A.20V DC
3. Insulation resistance: 100MΩ min
4. Withstand voltage: 500V AC/min
5. Contact resistance: 30mΩ max
6. Durability cycle: 5,000 Cycles
7. Insertion and extraction force: 3-40N

4

4



SCALE: 1:1 UNIT: mm

SIZE: A4

Title: Horizontal DC Power Jack 5525  
DIP CH=6.5 L=14.5 Ø2.5mm

Molde Code: DC-S009A-D025-7A

Unless otherwise  
General tolerance:

|       |       |
|-------|-------|
| X     | ±0.50 |
| X.x   | ±0.30 |
| X.xx  | ±0.20 |
| X.xxx | ±0.10 |
| X.x°  | ±3°   |

| DRAWN | CHECKED | APPROVED | DATE       |
|-------|---------|----------|------------|
| Xia   | Chen    | Chen     | 2023.02.01 |

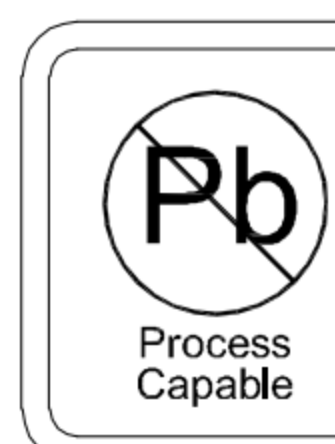


REV: A0 SHEET: 1/1

5

5

| A   | HOUSING    | HIGH TEMPERATURE PLASTIC | PA10T BLACK |
|-----|------------|--------------------------|-------------|
| B   | CENTER PIN | BRASS                    | Sn/Ni       |
| C   | SPRING     | COPPER ALLOY             | Sn/Ni       |
| NO. | PART NAME  | MATERIAL                 | REMARK      |



**RoHS**  
Compliant  
EU RoHS Standards



A

B

C

D

E

## X-ON Electronics

Largest Supplier of Electrical and Electronic Components

*Click to view similar products for [DC Power Connectors](#) category:*

*Click to view products by [G-Switch](#) manufacturer:*

Other Similar products are found below :

[163-0308-EX](#) [163-4012-EX](#) [163-4117-EX](#) [163-MJ22-EX](#) [171-0721-EX](#) [KLDX-SMT-0202-BPTR](#) [163-0179-EX](#) [163-4015-EX](#) [171-0722-E](#)  
[K596](#) [KLD-0201-BC](#) [4C6831AX](#) [LCB60PW-M](#) [LCB30PW-M](#) [LCB60PB-M](#) [LCC30PB-M](#) [LCB50PW-M](#) [LCB50-M](#) [LCB60-F](#) [LCC30-M](#)  
[LCB40PW-M](#) [LCC30PW-M](#) [LCB50-F](#) [LCB40-F](#) [LCC40-M](#) [LCC40PB-M](#) [LCB40PB-M](#) [LCC40-F](#) [LCB60-M](#) [LCC40PW-M](#) [LCB50PB-M](#)  
[513820200](#) [DC-S014A-D025-20A](#) [DC007B-2.5-J](#) [DC005-2.5](#) [DC005-2.5-T](#) [DC-S019A-D025-10A](#) [DC007B-2.0](#) [DC-018-2.5A-2.5](#) [DC-005-](#)  
[A25](#) [DC-005-A20](#) [DC-002-100](#) [DC-031A-130](#) [DC-031A-100](#) [DC-003A-130](#) [DC-045-130](#) [DC-192-130](#) [DC-033-130](#) [DC-011-100](#) [DC-002F-](#)  
[130](#)