

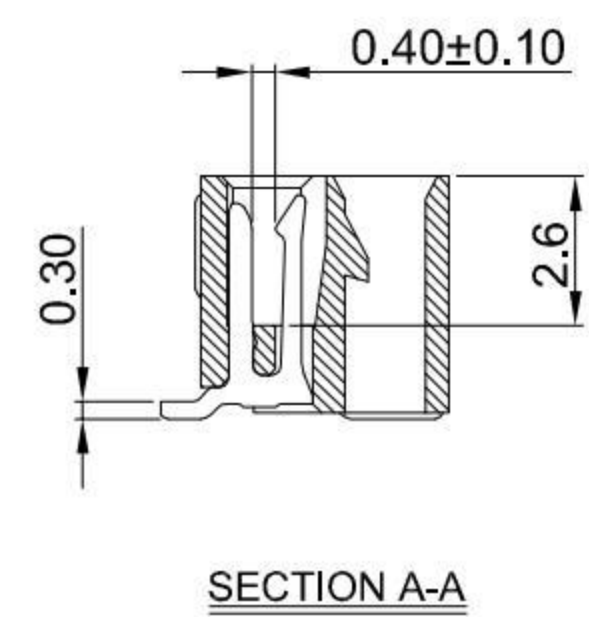
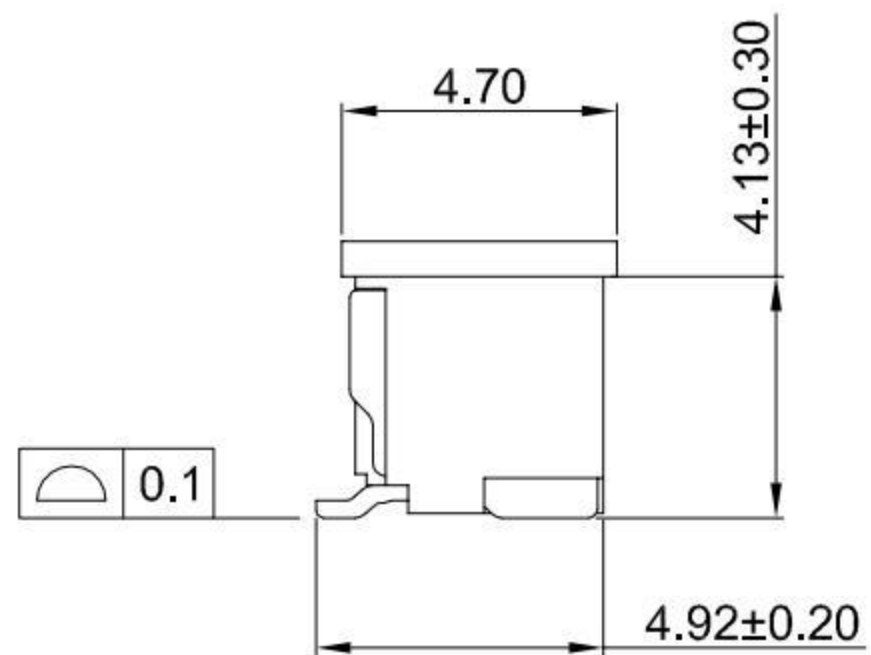
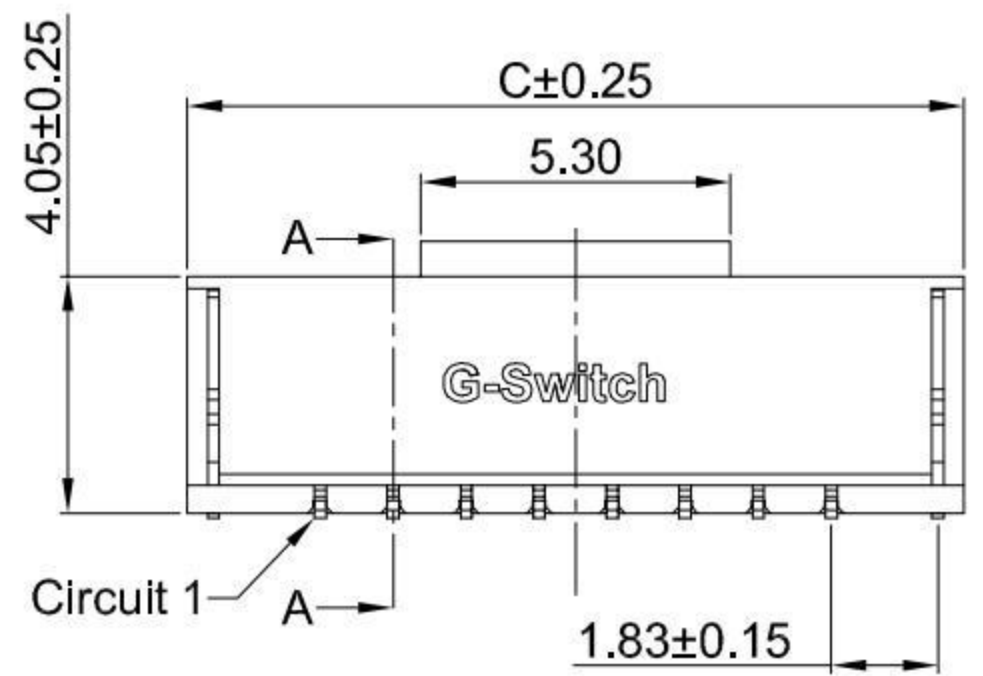
ASSEMBLY LAYOUT

- G-Switch Specification:**
- 1.Current rated: 1.0A AC/DC
 - 2.Voltage rating: 50V AC/DC
 - 3.Withstanding voltage: 500V AC
 - 4.Contact resistance: 30mΩ max.
 - 5.Insulation resistance: 100MΩ min
 - 6.Durability cycle: 30Cycles
 - 7.Removal force: 0.50kgf/Pin min
 - 8.Operating temperature range: -25°C ~ +85°C



GT-A1257 W V S-1 XX X XX 01

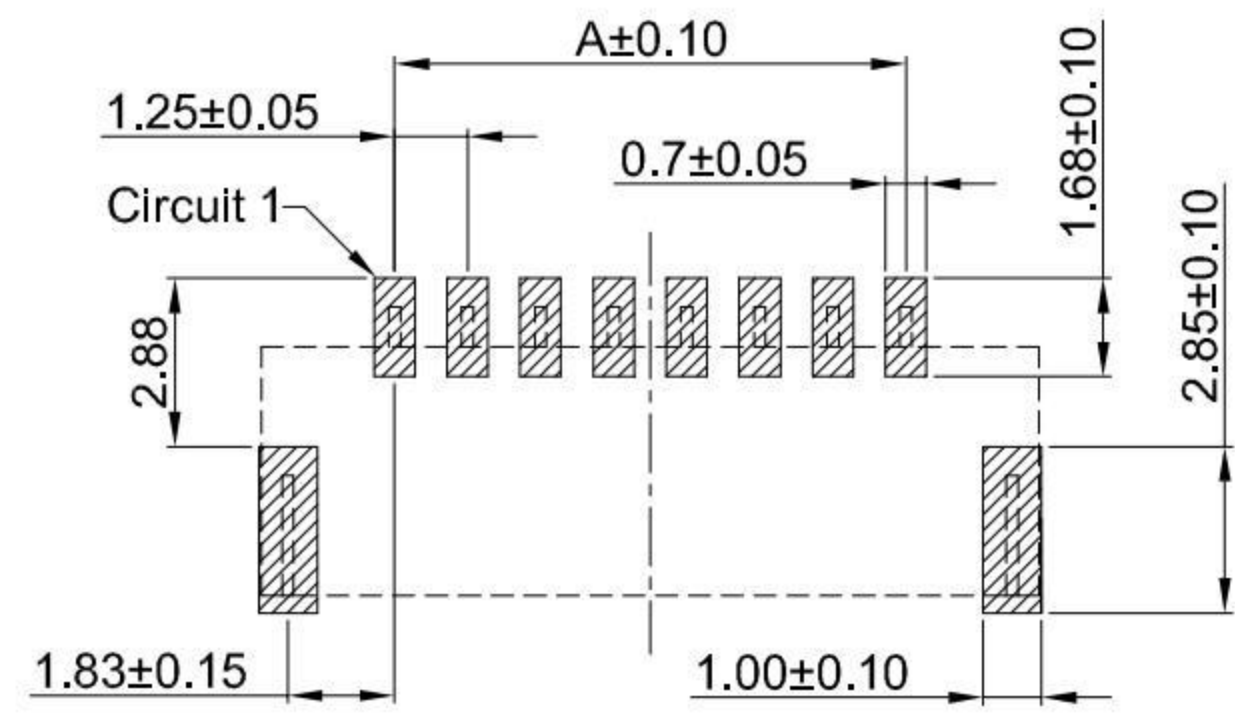
- G-Switch**
- Series No**
- Connector**
W-Wafer
- Angle**
V-180°
- Termpoint**
S-SMT
- Terminal Plating**
BT-Bright Tin
- Housing Colour**
S-Nature
- Pin Q' PY**
02~16
- Row NO**
1-Single Row



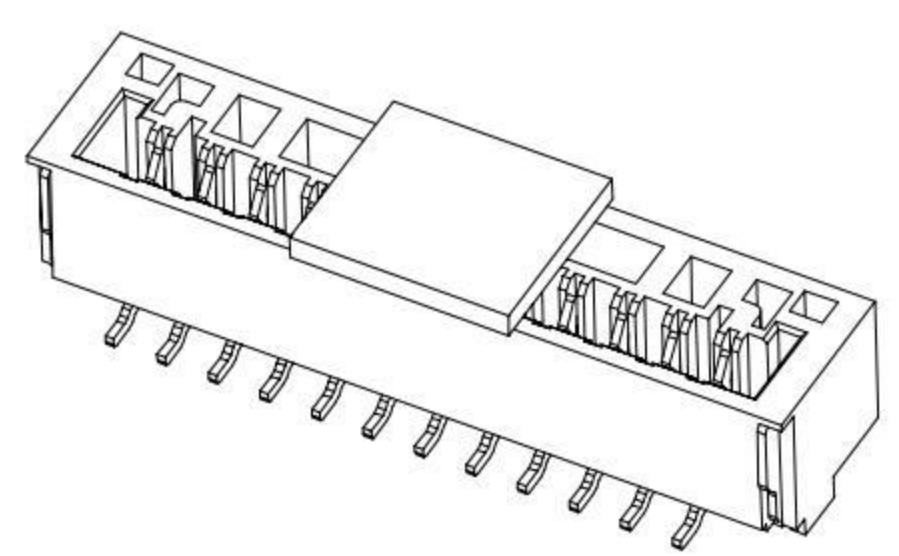
SECTION A-A

Ordering Information:

Circuit	Dimension(mm)			Circuit	Dimension(mm)		
	A	B	C		A	B	C
02	---	3.85	5.80	10	11.25	13.85	15.80
03	2.50	5.10	7.05	11	12.50	15.10	17.05
04	3.75	6.35	8.30	12	13.75	16.35	18.30
05	5.00	7.60	9.55	13	15.00	17.60	19.55
06	6.25	8.85	10.80	14	16.25	18.85	20.80
07	7.50	10.10	12.05	15	17.50	20.10	22.05
08	8.75	11.35	13.30	16	18.75	21.35	23.30
09	10.00	12.60	14.55	---	---	---	---



RECOMMENDED PCB LAYOUT
TOLERANCE:±0.05



NO.	PART NAME	MATERIAL	REMARK
4	SOLDER TABS	PHOSPHOR BRONZE	BRIGHT Tin
3	CONTACT	PHOSPHOR BRONZE	BRIGHT Tin
2	CAP	LCP,94V-0	NATURE
1	HOUSING	LCP,94V-0	NATURE



SCALE: 1:1 UNIT: mm
SIZE: A4

Unless otherwise General Tolerance:
X ±0.40
X.x ±0.30
X.xx ±0.20
X* ±5°
X.x° ±3°

Title: Wafer 1.25mm Pitch 180° GH SMT Type Single Row Connector

Molde Code: GT-A1257WVS-1XXXXX01

DRAWN	CHECKED	APPROVED	DATE
Hu	Chen	Chen	2021.10.20



REV: A0 SHEET: 1/2

A

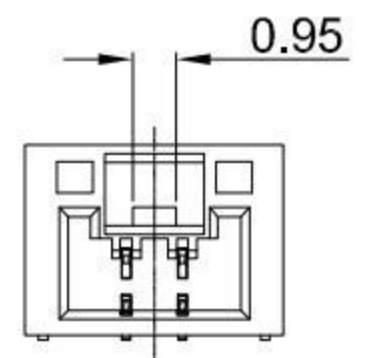
B

C

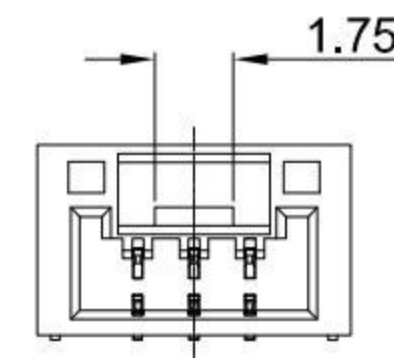
D

E

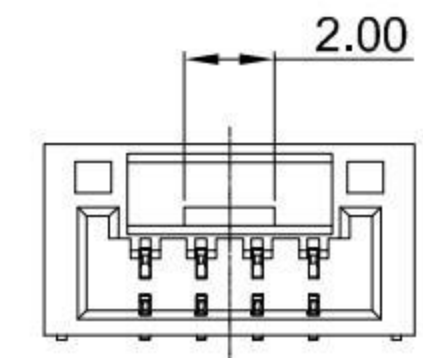
1



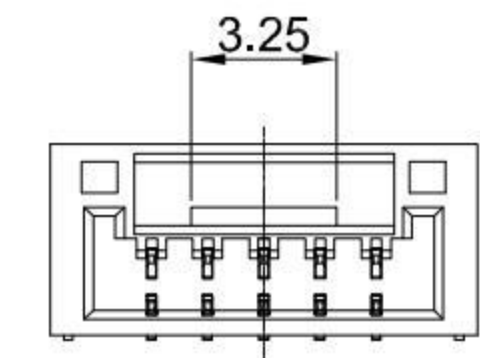
2Pin



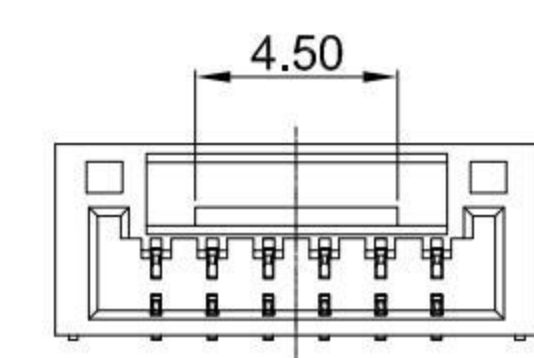
3Pin



4Pin

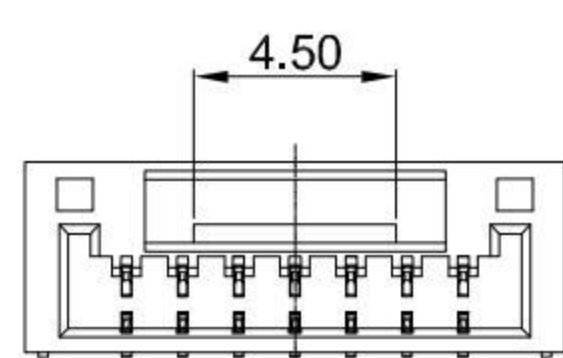


5Pin

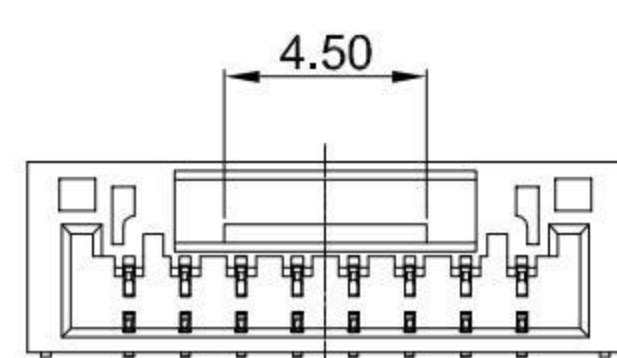


6Pin

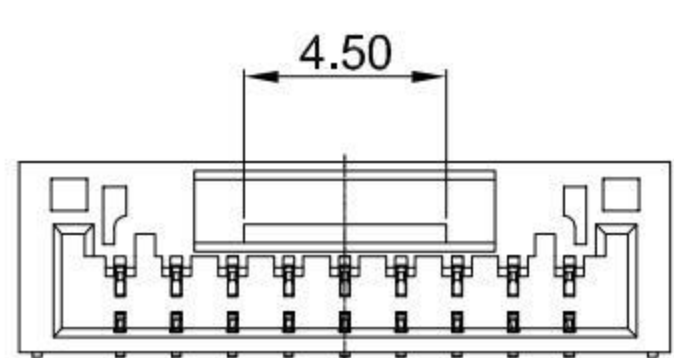
2



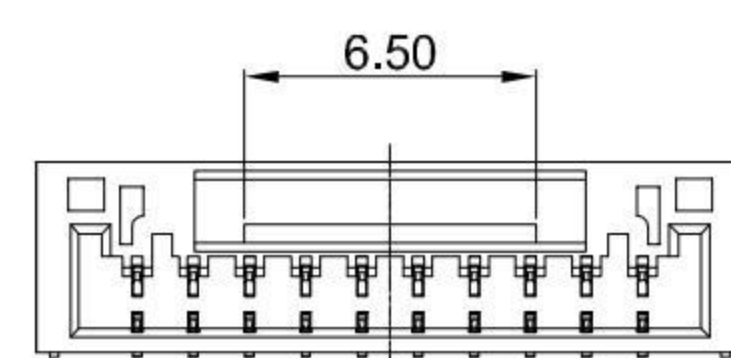
7Pin



8Pin

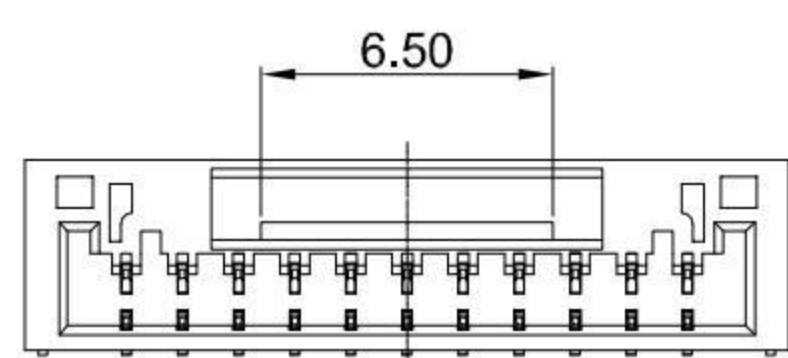


9Pin

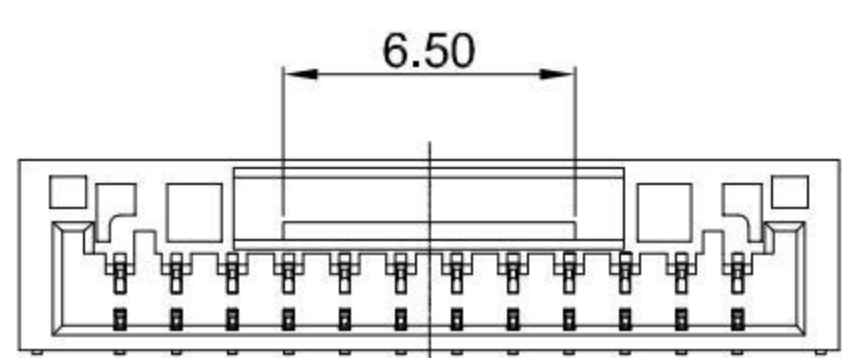


10Pin

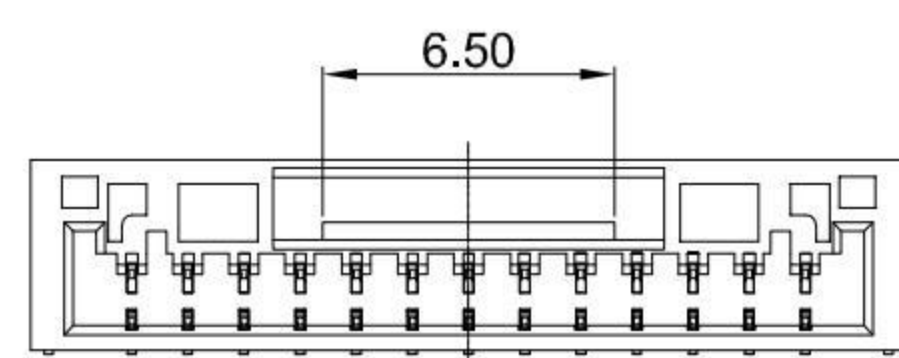
3



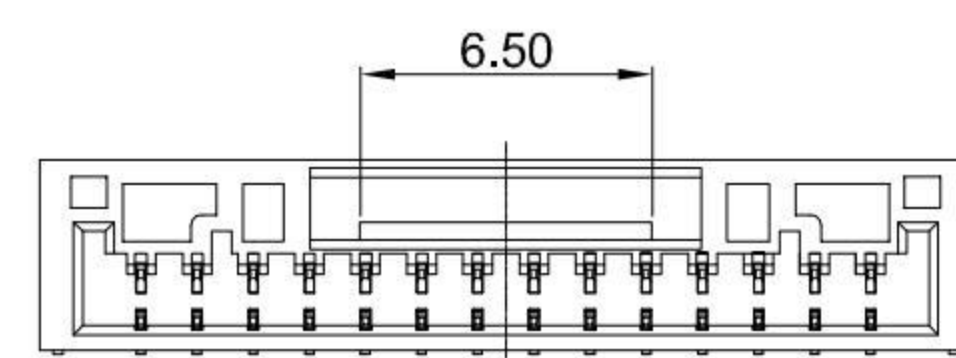
11Pin



12Pin

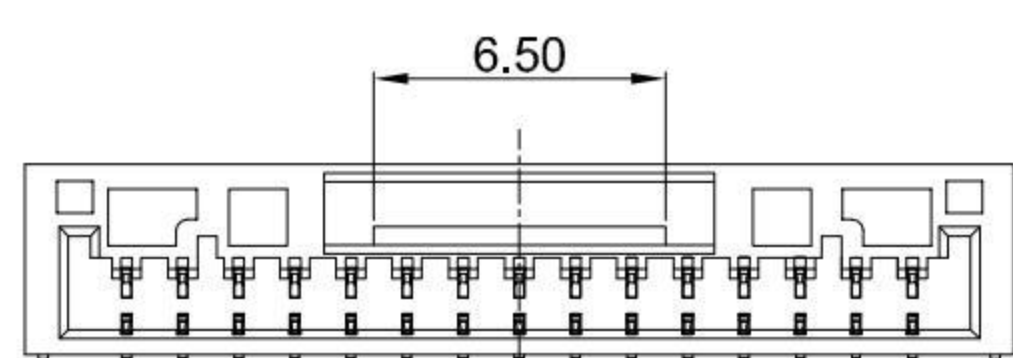


13Pin

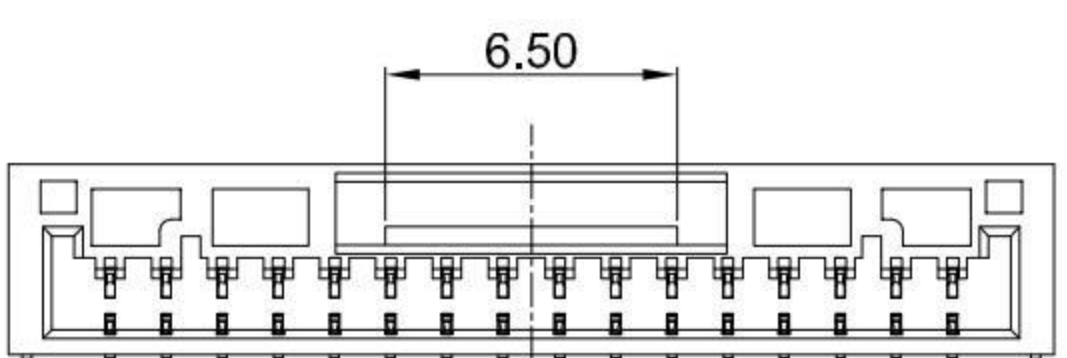


14Pin

4



15Pin



16Pin



1

2

3

4

5

4	SOLDER TABS	PHOSPHOR BRONZE	BRIGHT Tin
3	CONTACT	PHOSPHOR BRONZE	BRIGHT Tin
2	CAP	LCP,94V-0	NATURE
1	HOUSING	LCP,94V-0	NATURE
NO.	PART NAME	MATERIAL	REMARK

SCALE: 1:1 UNIT: mm

SIZE: A4

Unless otherwise
General Tolerance:

X	±0.40
X.x	±0.30
X.xx	±0.20
X*	±5°
X.x°	±3°

Title: Wafer 1.25mm Pitch 180° GH SMT Type
Single Row Connector

Molde Code: GT-A1257WVS-1XXXXX01

DRAWN	CHECKED	APPROVED	DATE
Hu	Chen	Chen	2021.10.20



REV: A0 SHEET: 2/2

A

B

C

D

E



X-ON Electronics

Largest Supplier of Electrical and Electronic Components

Click to view similar products for [Headers & Wire Housings](#) category:

Click to view products by [G-Switch](#) manufacturer:

Other Similar products are found below :

[0015917161](#) [0022155065](#) [57102-F02-18ULF](#) [58102-G61-06LF](#) [582553-1](#) [01.001.5753.1](#) [0050291907](#) [02.125.8002.8](#) [609-3404](#) [61062-3](#)
[CSU011177004](#) [622-0430](#) [622-3653LF](#) [63453-116](#) [636-1030](#) [636-1427](#) [636-3427](#) [636-4007](#) [641938-9](#) [65495-038](#) [65692-001LF](#) [65781-018](#)
[65781-047](#) [65817-010LF](#) [65817-015LF](#) [67095-007LF](#) [67601157](#) [68631-112](#) [68645-018](#) [699319-000](#) [70.362.1628.0](#) [70-4210](#) [70-4226B](#) [70-](#)
[4853B](#) [71.350.2428.0](#) [733-134](#) [733-162](#) [MHR-64-VUAL](#) [80.063.4001.1](#) [800-90-001-10-001000](#) [801-43-002-10-013000](#) [801-43-006-10-](#)
[002000](#) [803-43-024-10-001000](#) [803-93-012-10-001000](#) [8-1437020-4](#) [819-22-004-30-001101](#) [820-22-006-30-001101](#) [820-22-008-30-001101](#)
[821-22-002-10-001101](#) [821-22-003-10-002101](#)