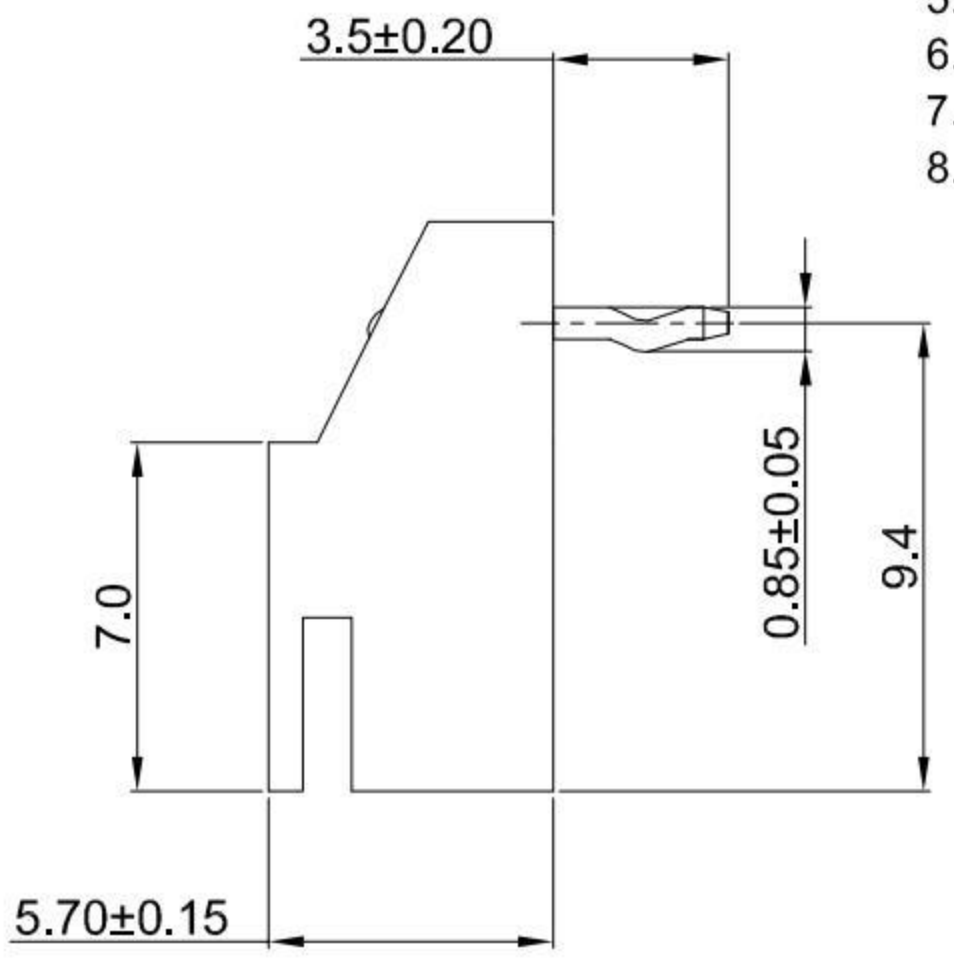
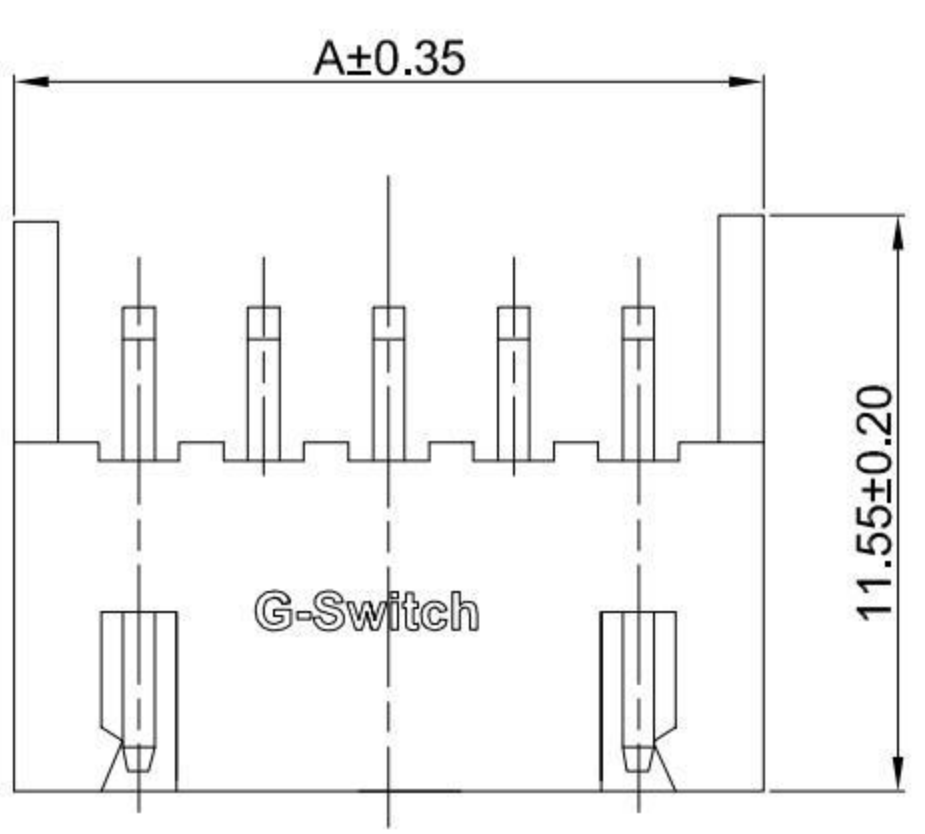


A B C D E

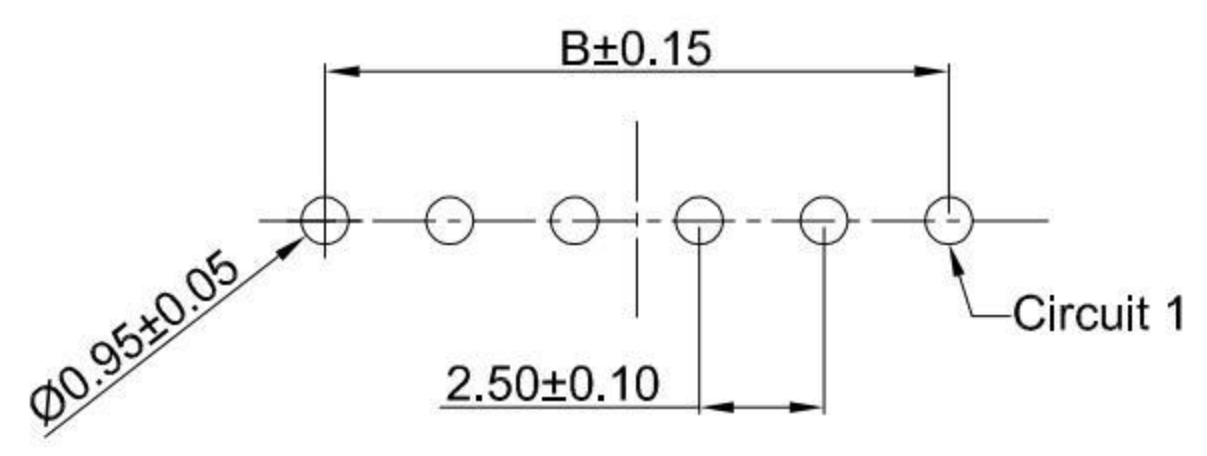
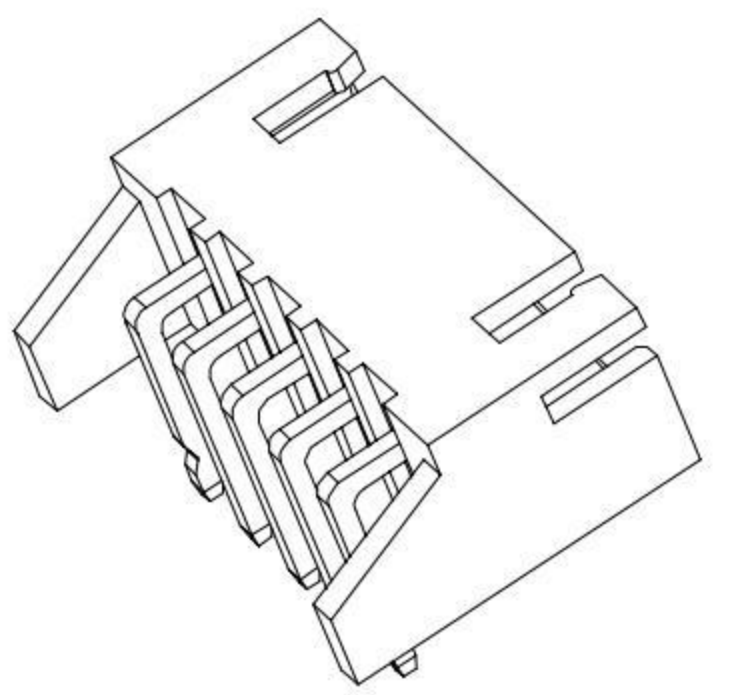
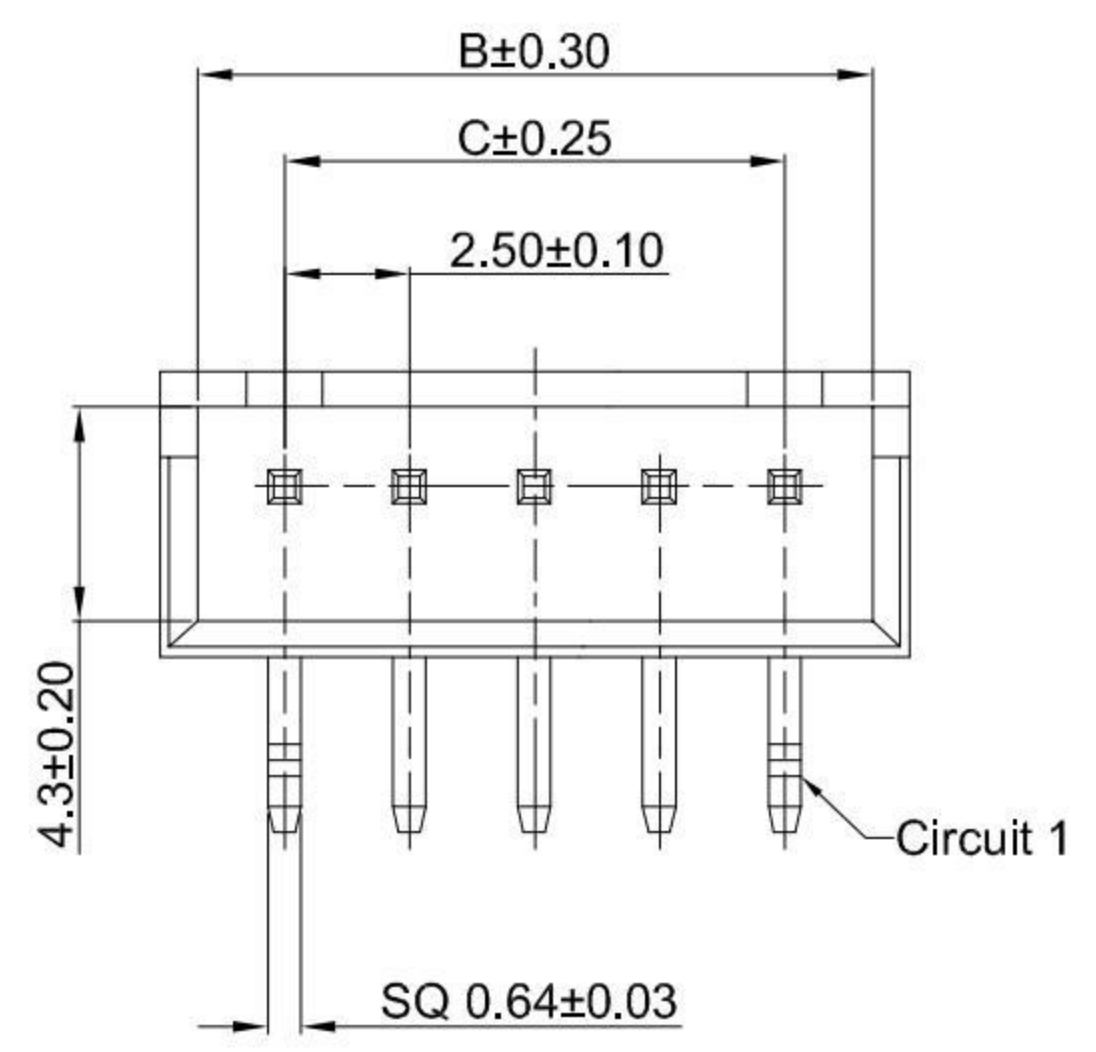


- G-Switch Specification:**
- 1.Current rated: 3.0A AC/DC
 - 2.Voltage rating: 250V AC/DC
 - 3.Withstanding voltage: 1000V AC
 - 4.Contact resistance: 10mΩ max.
 - 5.Insulation resistance: 1000MΩ min
 - 6.Durability cycle: 30Cycles
 - 7.Removal force: 1.20kgf/Pin min
 - 8.Operating temperature range: -25°C ~ +85°C



GT-A2501 W R D 1 -1 XX X XX 02

- G-Switch**
- Series No**
- Connector**
W-Wafer
- Angle**
R-90°
- Termipoint**
D-DIP
- Terminal Plating**
BT-Bright Tin
- Housing Colour**
W-White RoHS+HF
S-Beige RoHS
- Pin Q' PY**
02~16
- Row NO**
1-Single row
- Type**
1-Type 1



RECOMMENDED PCB LAYOUT
TOLERANCE:±0.05

Ordering Information:

Circuit	Dimensions(mm)			Circuit	Dimensions(mm)		
	A	B	C		A	B	C
02	7.50	6.00	---	10	27.50	26.00	22.50
03	10.00	8.50	5.00	11	30.00	28.50	25.00
04	12.50	11.00	7.50	12	32.50	31.00	27.50
05	15.00	13.50	10.00	13	35.00	33.50	30.00
06	17.50	16.00	12.50	14	37.50	36.00	32.50
07	20.00	18.50	15.00	15	40.00	38.50	35.00
08	22.50	21.00	17.50	16	42.50	41.00	37.50
09	25.00	23.50	20.00	---	---	---	---

2	PIN MATERIAL	BRASS	BRIGHT Tin
1	HOUSING	PA66,94V-0	WHITE/BEIGE
NO.	PART NAME	MATERIAL	REMARK



SCALE: 1:1 UNIT: mm
 SIZE: A4
 Unless otherwise General Tolerance:
 X ±0.40
 X.x ±0.30
 X.xx ±0.20
 X* ±5°
 X.x° ±3°

Title: Wafer 2.50mm Pitch 90° XH DIP Type Connector
 Molde Code: GT-A2501WRD1-1XXXXX01
 DRAWN: Hu CHECKED: Hu APPROVED: Chen DATE: 2022.12.28



REV: A0 SHEET: 1/1

A B C D E

5

5

X-ON Electronics

Largest Supplier of Electrical and Electronic Components

Click to view similar products for [Headers & Wire Housings](#) category:

Click to view products by [G-Switch](#) manufacturer:

Other Similar products are found below :

[0015917161](#) [0022155065](#) [57102-F02-18ULF](#) [58102-G61-06LF](#) [582553-1](#) [01.001.5753.1](#) [0050291907](#) [02.125.8002.8](#) [609-3404](#) [61062-3](#)
[CSU011177004](#) [622-0430](#) [622-3653LF](#) [63453-116](#) [636-1030](#) [636-1427](#) [636-3427](#) [636-4007](#) [641938-9](#) [65495-038](#) [65692-001LF](#) [65781-018](#)
[65781-047](#) [65817-010LF](#) [65817-015LF](#) [67095-007LF](#) [67601157](#) [68631-112](#) [699319-000](#) [70.362.1628.0](#) [70-4210](#) [70-4226B](#) [70-4853B](#) [707-](#)
[5028](#) [71.350.2428.0](#) [733-134](#) [733-162](#) [760-3052](#) [MHR-64-VUAL](#) [80.063.4001.1](#) [800-90-001-10-001000](#) [801-43-002-10-013000](#)
[801-43-006-10-002000](#) [803-43-024-10-001000](#) [803-93-012-10-001000](#) [8-1437020-4](#) [819-22-004-30-001101](#) [820-22-006-30-001101](#)
[820-22-008-30-001101](#) [821-22-002-10-001101](#)