

GT-EVA01AA-L1

Manufacture
GT=G-Switch

Product name
E=Encoder

Type
V=Vertical

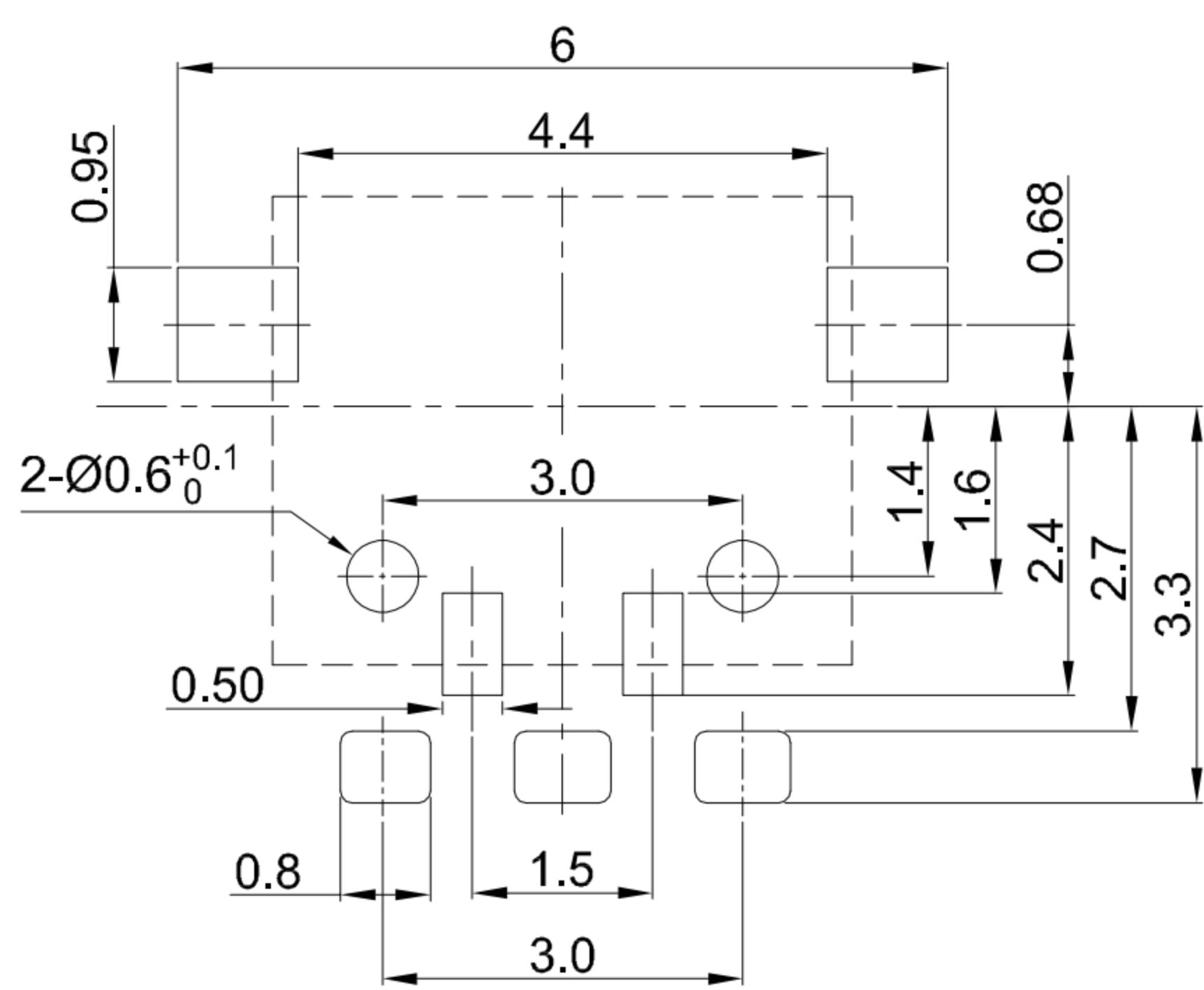
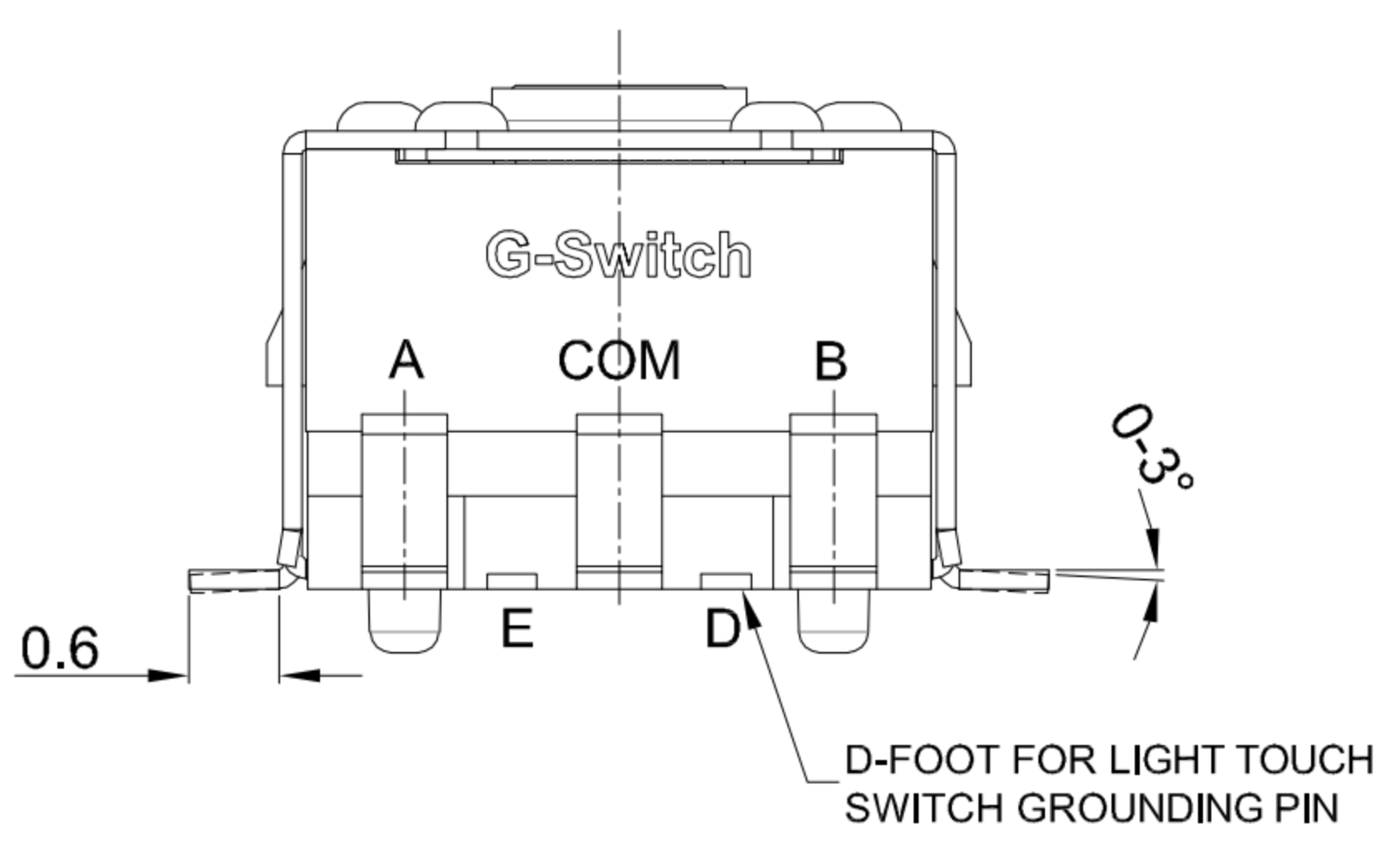
Pulse
A=12 Pulse 12 clic
B=6 Pulse 6 clic

Switch Lifetime
L1=100,000 Cycles

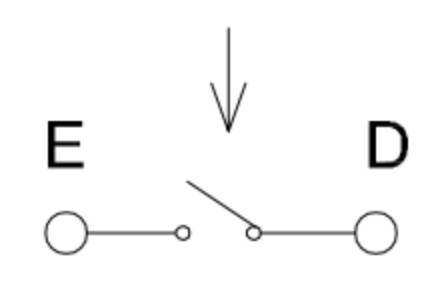
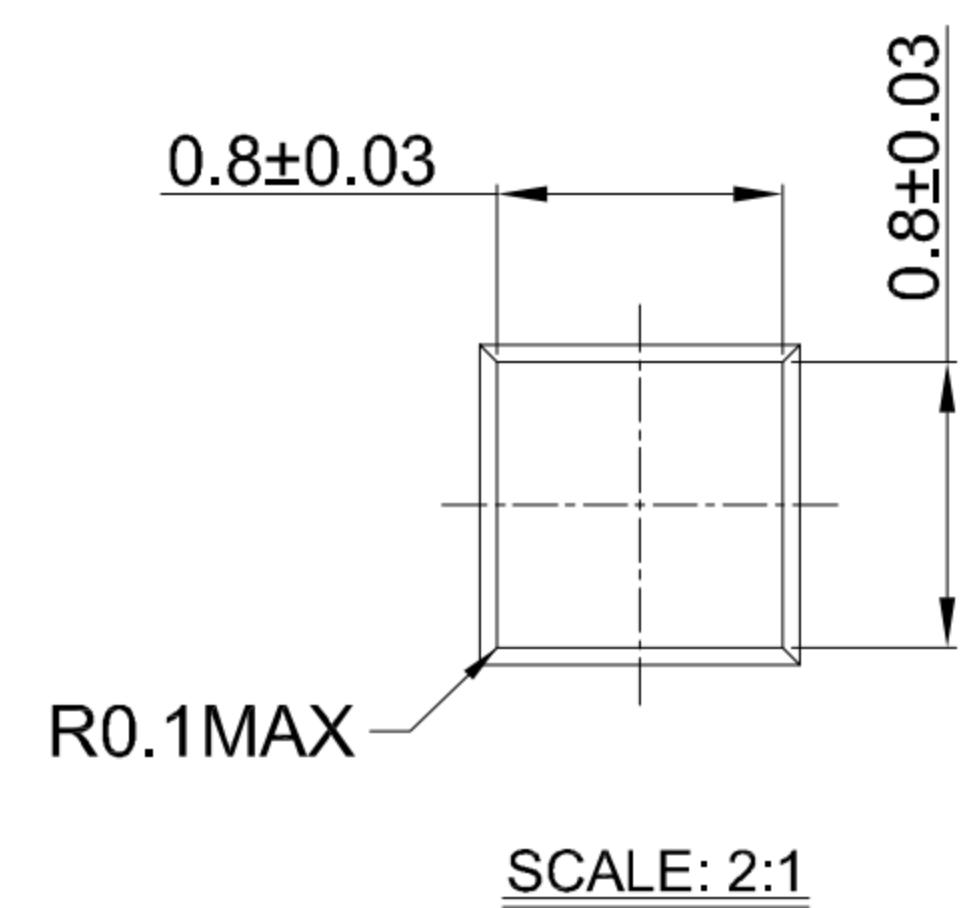
Switch function
A=With switch
N=No switch

Operating Force
A=200gf With cc
B=200gf NT CC

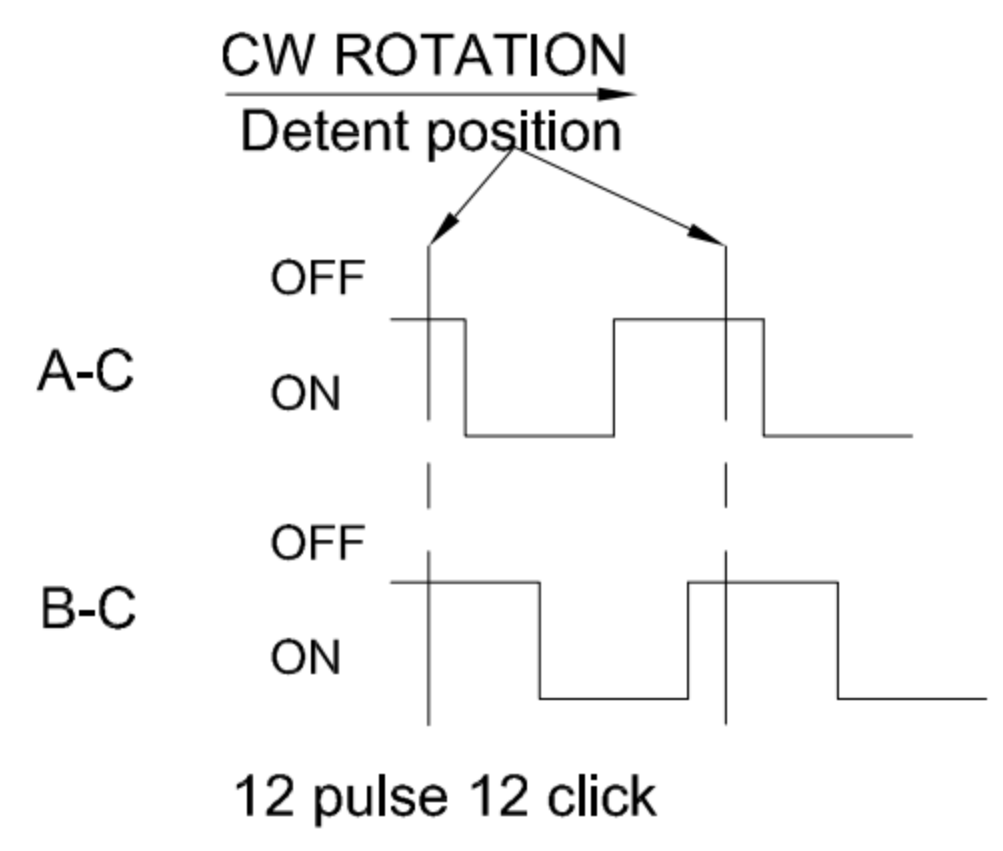
Code
01=Type 1



RECOMMENDED PCB LAYOUT
TOLERANCE:±0.05



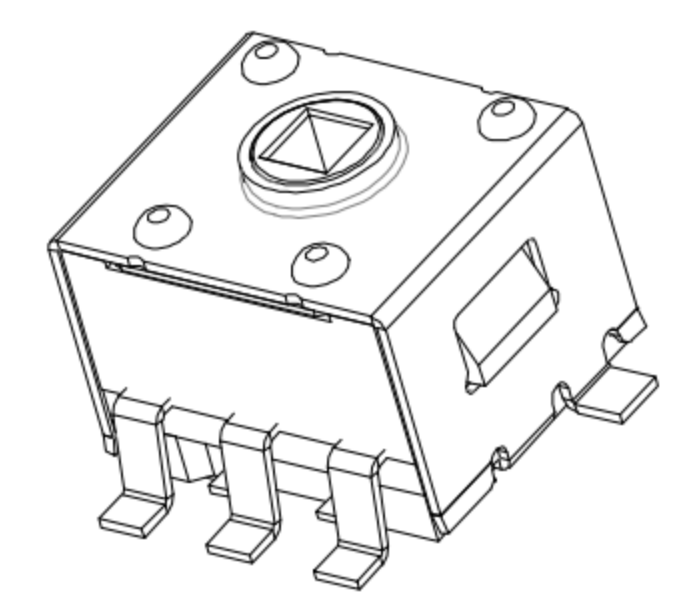
CIRCUIT DIAGRAM



G-Switch Specification:

1. Operating temperature range: -40°C ~ +85°C
2. Rating: 50mA.12V DC
3. Insulation resistance: 100MΩ min.100V DC
4. Dielectric strength: 100V AC for 1 min
5. Contact resistance:100m Ω max.
6. Travel: 0.15±0.05mm

ITEM	NAME	MATERIAL
1	COVER	
2	ANCHOR PLATE	COPPER ALLOY(5191)
3	WHEEL GEAR	STAINLESS STEEL STRIPS(SUS301)
4	BASE	ENGINEERING PLASTIONS(PA46)
5	CONTACTSPRING	ENGINEERING PLASTIONS(PA46)
6	TERMINAL	COPPER ALLOY(5210)
7	TACT TERMINAL	COPPER ALLOY(5191)
8	PEDESTAL	ENGINEERING PLASTIONS(PA46)
9	SHRAPNEL	STAINLESS STEEL (SUS304)
10	MEMBRANE	PI



SCALE: 1:1 UNIT: mm
SIZE: A4

Unless otherwise
General Tolerance:
X. ±0.30
X.x ±0.20
X.xx ±0.15
X° ±3°

Title: Vertical Encoder With Switch
SMT 4.8×3.9×3.5mm 12P/12C

Molde Code: GT-EVA01AA-L1

DRAWN	CHECKED	APPROVED	DATE
Xia	Chen	Chen	2023.02.01



REV: A0 SHEET: 1/1

X-ON Electronics

Largest Supplier of Electrical and Electronic Components

Click to view similar products for [Coded Rotary Switches](#) category:

Click to view products by [G-Switch](#) manufacturer:

Other Similar products are found below :

[PT65503RT](#) [P60A703](#) [RTAP31S12WFLSP](#) [GSER-10](#) [GT-EVA01AA-L1](#) [EC11L1525G01](#) [EC111012000Y](#) [EC28B1550404](#) [EC11E0940501](#)
[RT004D](#) [EC11E152T40B](#) [EC11J152540Z](#) [EC11E156040J](#) [EC11E156445M](#) [EC09E152440T](#) [EC11E09444A8](#) [EC11E152T408](#)
[EC10E1220515](#) [EC12E24404A9](#) [EC11G1560418](#) [ED11301M-FB12A4.0-C20-102-G219](#) [01-1104](#) [01-1123](#) [01-1234](#) [01-1263](#) [01-1424](#) [01-](#)
[1433](#) [07-3153](#) [07-3154](#) [CRD10CM0SBR](#) [DRS4116](#) [RTE1600R44](#) [ERD110RSZ](#) [ERD116CSZ](#) [ERD116RFZ](#) [ERD116RSZ](#) [94HCB10T](#)
[94HBB16WT](#) [94HBB16RAT](#) [94HBB10WT](#) [94HBB10RAT](#) [94HBB08RAT](#) [94HAC10T](#) [94HAB16WT](#) [94HAB16T](#) [94HAB10WT](#)
[94HAB10RAT](#) [94HAB08WT](#) [94HAB08RAT](#) [ERD216RSZ](#)