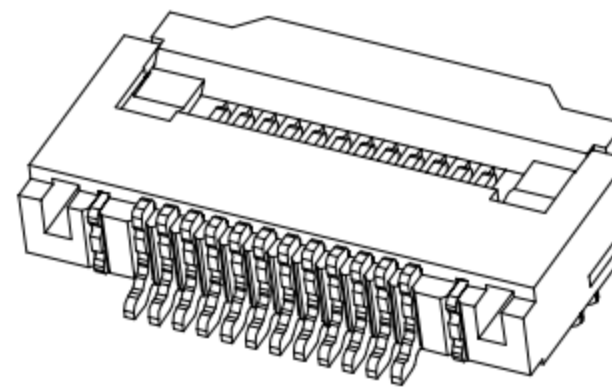
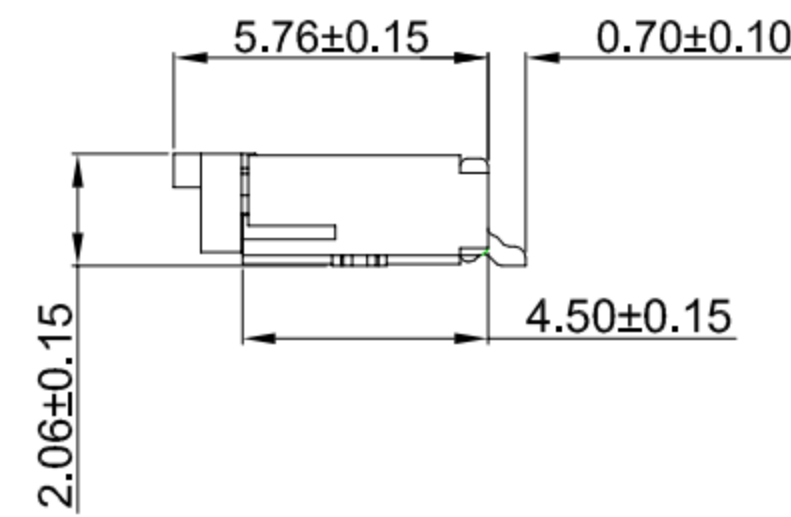
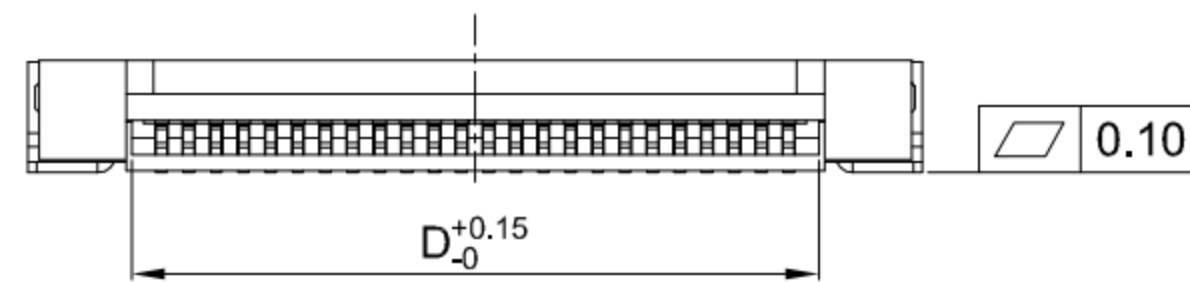


SECTION:A-A



- G-Switch Specification:**
- 1.Current rated: 0.4A AC/DC
 - 2.Voltage rating: 50V AC/DC
 - 3.Withstanding voltage: 200V AC for 1 min
 - 4.Contact resistance: 20mΩ max.
 - 5.Insulation resistance: 50MΩ min
 - 6.Durability cycle: 20Cycles
 - 7.Removal force: 0.04kgf/Pin min
 - 8.Operating temperature range: -25°C ~ +85°C



GT-F0502 S R 20 -XX X XX 01

G-Switch

Series No

Termipoint
S-SMT

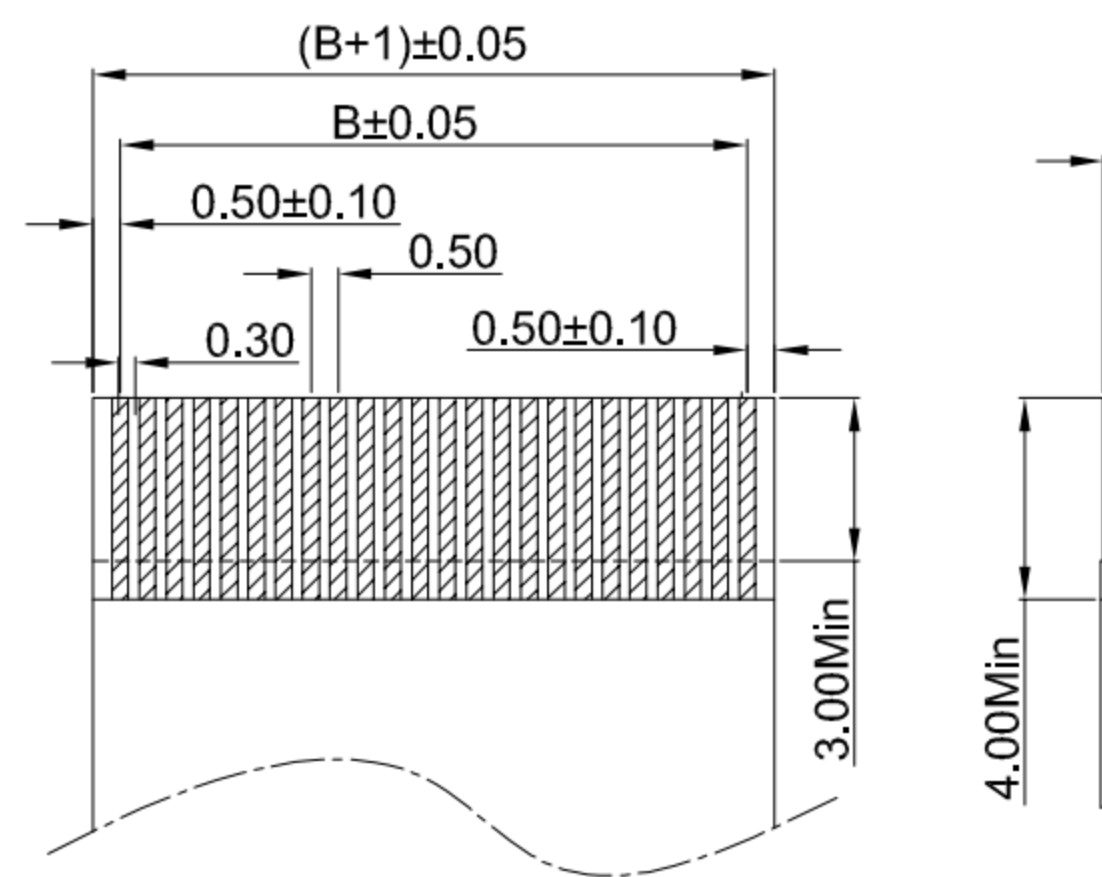
Angle
R-90°

Terminal Plating
11-All Au G/F
MT-Matte Tin

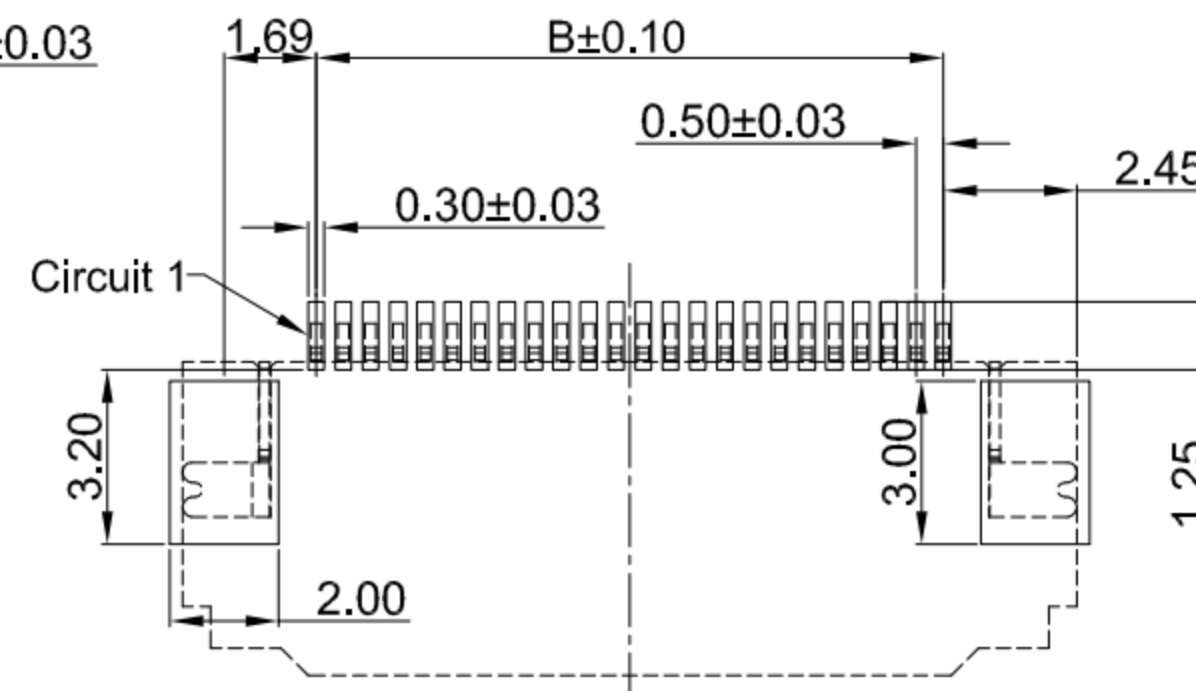
Housing Colour
S-Nature

Pin Q' PY
04~80

Height
20-2.06mm



Applicable FPC



RECOMMENDED PCB LAYOUT
TOLERANCE:±0.05

Ordering Information:

Circuit	Dimensions(mm)				Circuit	Dimensions(mm)				Circuit	Dimensions(mm)				Circuit	Dimensions(mm)			
	A	B	C	D		A	B	C	D		A	B	C	D		A	B	C	D
04	6.40	1.50	6.00	2.50	24	16.40	11.50	16.00	12.50	44	26.40	21.50	26.00	22.50	64	36.40	31.50	36.00	32.50
05	6.90	2.00	6.50	3.00	25	16.90	12.00	16.50	13.00	45	26.90	22.00	26.50	23.00	65	36.90	32.00	36.50	33.00
06	7.40	2.50	7.00	3.50	26	17.40	12.50	17.00	13.50	46	27.40	22.50	27.00	23.50	66	37.40	32.50	37.00	33.50
07	7.90	3.00	7.50	4.00	27	17.90	13.00	17.50	14.00	47	27.90	23.00	27.50	24.00	67	37.90	33.00	37.50	34.00
08	8.40	3.50	8.00	4.50	28	18.40	13.50	18.00	14.50	48	28.40	23.50	28.00	24.50	68	38.40	33.50	38.00	34.50
09	8.90	4.00	8.50	5.00	29	18.90	14.00	18.50	15.00	49	28.90	24.00	28.50	25.00	69	38.90	34.00	38.50	35.00
10	9.40	4.50	9.00	5.50	30	19.40	14.50	19.00	15.50	50	29.40	24.50	29.00	25.50	70	39.40	34.50	39.00	35.50
11	9.90	5.00	9.50	6.00	31	19.90	15.00	19.50	16.00	51	29.90	25.00	29.50	26.00	71	39.90	35.00	39.50	36.00
12	10.40	5.50	10.00	6.50	32	20.40	15.50	20.00	16.50	52	30.40	25.50	30.00	26.50	72	40.40	35.50	40.00	36.50
13	10.90	6.00	10.50	7.00	33	20.90	16.00	20.50	17.00	53	30.90	26.00	30.50	27.00	73	40.90	36.00	40.50	37.00
14	11.40	6.50	11.00	7.50	34	21.40	16.50	21.00	17.50	54	31.40	26.50	31.00	27.50	74	41.40	36.50	41.00	37.50
15	11.90	7.00	11.50	8.00	35	21.90	17.00	21.50	18.00	55	31.90	27.00	31.50	28.00	75	41.90	37.00	41.50	38.00
16	12.40	7.50	12.00	8.50	36	22.40	17.50	22.00	18.50	56	32.40	27.50	32.00	28.50	76	42.40	37.50	42.00	38.50
17	12.90	8.00	12.50	9.00	37	22.90	18.00	22.50	19.00	57	32.90	28.00	32.50	29.00	77	42.90	38.00	42.50	39.00
18	13.40	8.50	13.00	9.50	38	23.40	18.50	23.00	19.50	58	33.40	28.50	33.00	29.50	78	43.40	38.50	43.00	39.50
19	13.90	9.00	13.50	10.00	39	23.90	19.00	23.50	20.00	59	33.90	29.00	33.50	30.00	79	43.90	39.00	43.50	40.00
20	14.40	9.50	14.00	10.50	40	24.40	19.50	24.00	20.50	60	34.40	29.50	34.00	30.50	80	44.40	39.50	44.00	40.50
21	14.90	10.00	14.50	11.00	41	24.90	20.00	24.50	21.00	61	34.90	30.00	34.50	31.00	--	--	--	--	--
22	15.40	10.50	15.00	11.50	42	25.40	20.50	25.00	21.50	62	35.40	30.50	35.00	31.50	--	--	--	--	--
23	15.90	11.00	15.50	12.00	43	25.90	21.00	25.50	22.00	63	35.90	31.00	35.50	32.00	--	--	--	--	--

SCALE: 1:1 UNIT: mm

SIZE: A4

Title: FPC 0.50mm Pitch 90° SMT Type
H2.0mm ZIF Connector

Molde Code: GT-F0502SR20-XXXXX01

Unless otherwise
General Tolerance:

X	±0.40
X.x	±0.30
X.xx	±0.20
X*	±5°
X.x°	±3°

DRAWN	CHECKED	APPROVED	DATE
Hu	Chen	Chen	2022.12.28



REV: A0 SHEET: 1/1

4	SOLDER TABS	BRASS	MATTE Tin
3	CONTACT	PHOSPHOR BRONZE	ALL Au G/F OR MATTE Tin
2	COVER	LCP,94V-0	BLACK
1	HOUSING	LCP,94V-0	NATURE
NO.	PART NAME	MATERIAL	REMARK



X-ON Electronics

Largest Supplier of Electrical and Electronic Components

Click to view similar products for [FFC & FPC Connectors](#) category:

Click to view products by [G-Switch](#) manufacturer:

Other Similar products are found below :

[00-6200-227-022-800](#) [006205250500825+](#) [006205280500825+](#) [FPH-1602G](#) [086222026001800](#) [52610-0675](#) [62674-201121DLF](#) [52746-1671-TR250](#) [10051922-1610EHLF](#) [10051922-2810EHLF](#) [686322124422](#) [XF3M-2915-1B-R100](#) [AYF353125A](#) [AYF530665TA](#) [AYF534065TA](#) [20FLH-RSM1-TB](#) [PCA-7F-25-HL-3-G](#) [207356-1](#) [52807-0430](#) [502250-8027](#) [FH28K-40S-0.5SH](#) [200528-0260](#) [FH28K-10S-0.5SH](#) [501951-1250](#) [X05B20U43T](#) [0.5K-DX-30PWB](#) [DS1020-08-10VBT12](#) [THD0515-34CL-GF](#) [X05A10L28G](#) [ECC2841061EU](#) [20539-030E-01](#) [1.0K-DHQX-16PWB](#) [1.0K-DHQX-30PWB](#) [1775333-6](#) [10054365-202110ELF](#) [10054365-242110ELF](#) [10054365-282110ELF](#) [10064555-392220HLF](#) [59453-041110EBHLF](#) [59453-091110EDHLF](#) [62674-241141ALF](#) [62684-432100ALF](#) [62684-451100AHLF](#) [62684-5721N0ALF](#) [HFW11R-1STE1MTLF](#) [HFW12R-1STE9LF](#) [HFW14R-1STE9MTLF](#) [HFW18S-2STE9LF](#) [HFW20R-1STAE1HLF](#) [HFW20R-1STE1MTLF](#)