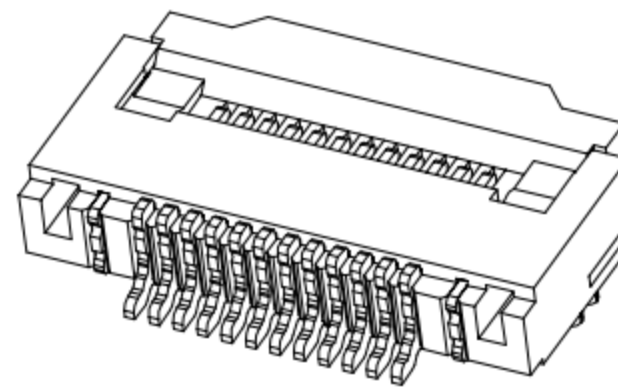
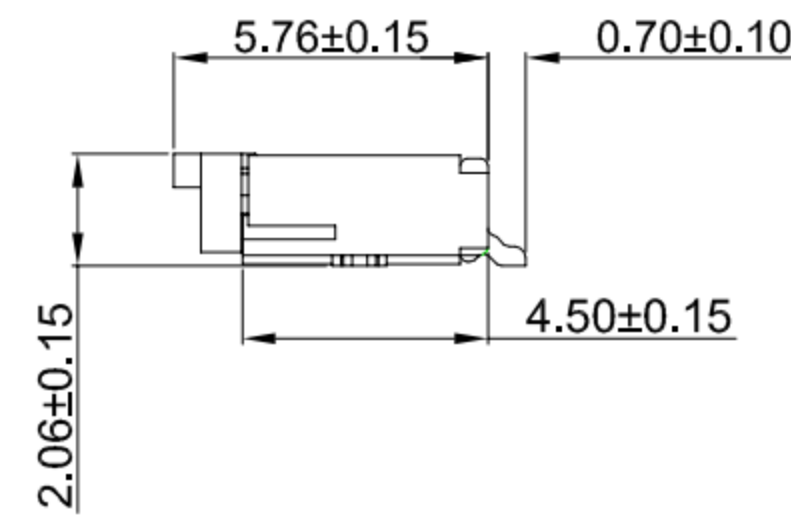
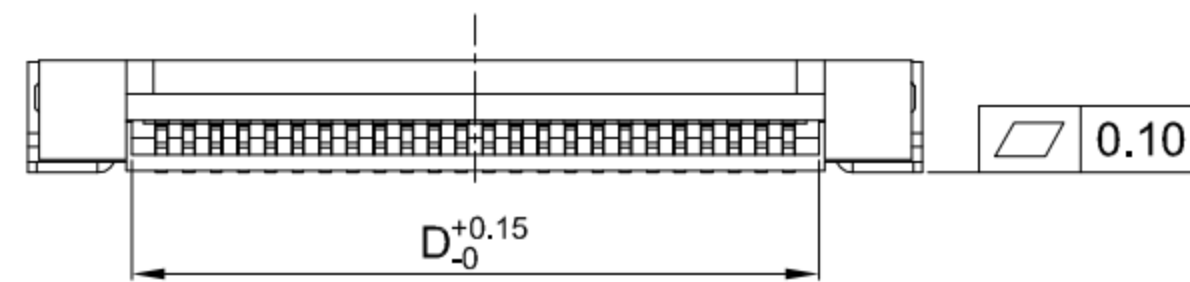


SECTION:A-A



- G-Switch Specification:**
- 1.Current rated: 0.4A AC/DC
  - 2.Voltage rating: 50V AC/DC
  - 3.Withstanding voltage: 200V AC for 1 min
  - 4.Contact resistance: 20mΩ max.
  - 5.Insulation resistance: 50MΩ min
  - 6.Durability cycle: 20Cycles
  - 7.Removal force: 0.04kgf/Pin min
  - 8.Operating temperature range: -25°C ~ +85°C



GT-F0502 S R 20 -XX X XX 01

G-Switch

Series No

Termipoint  
S-SMT

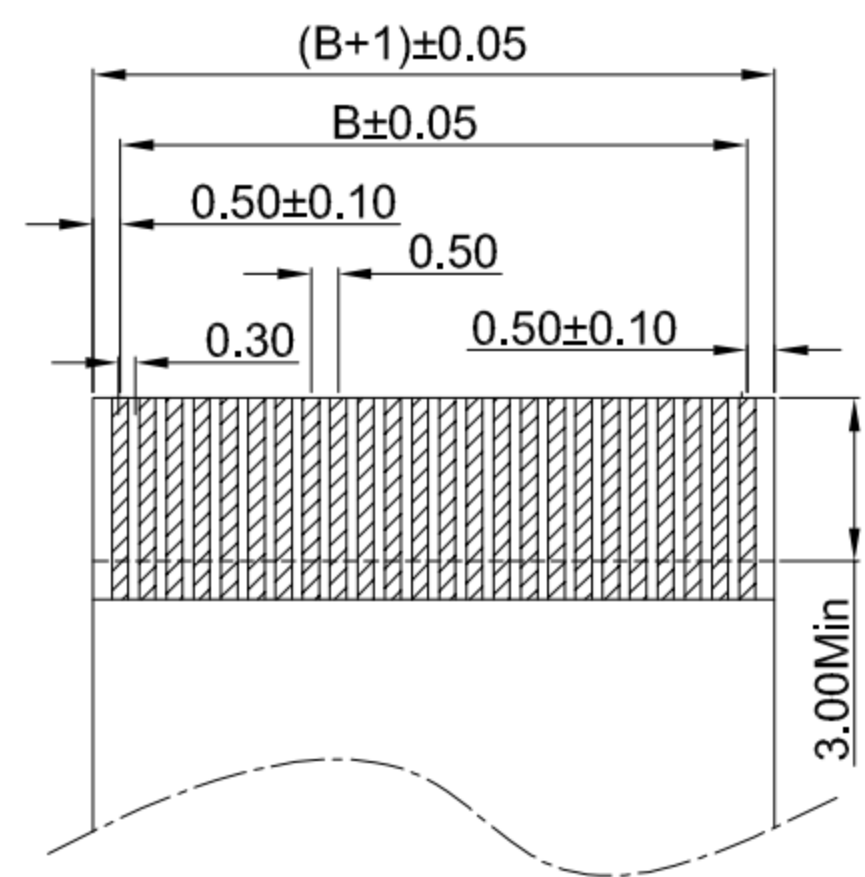
Angle  
R-90°

Terminal Plating  
11-All Au G/F  
MT-Matte Tin

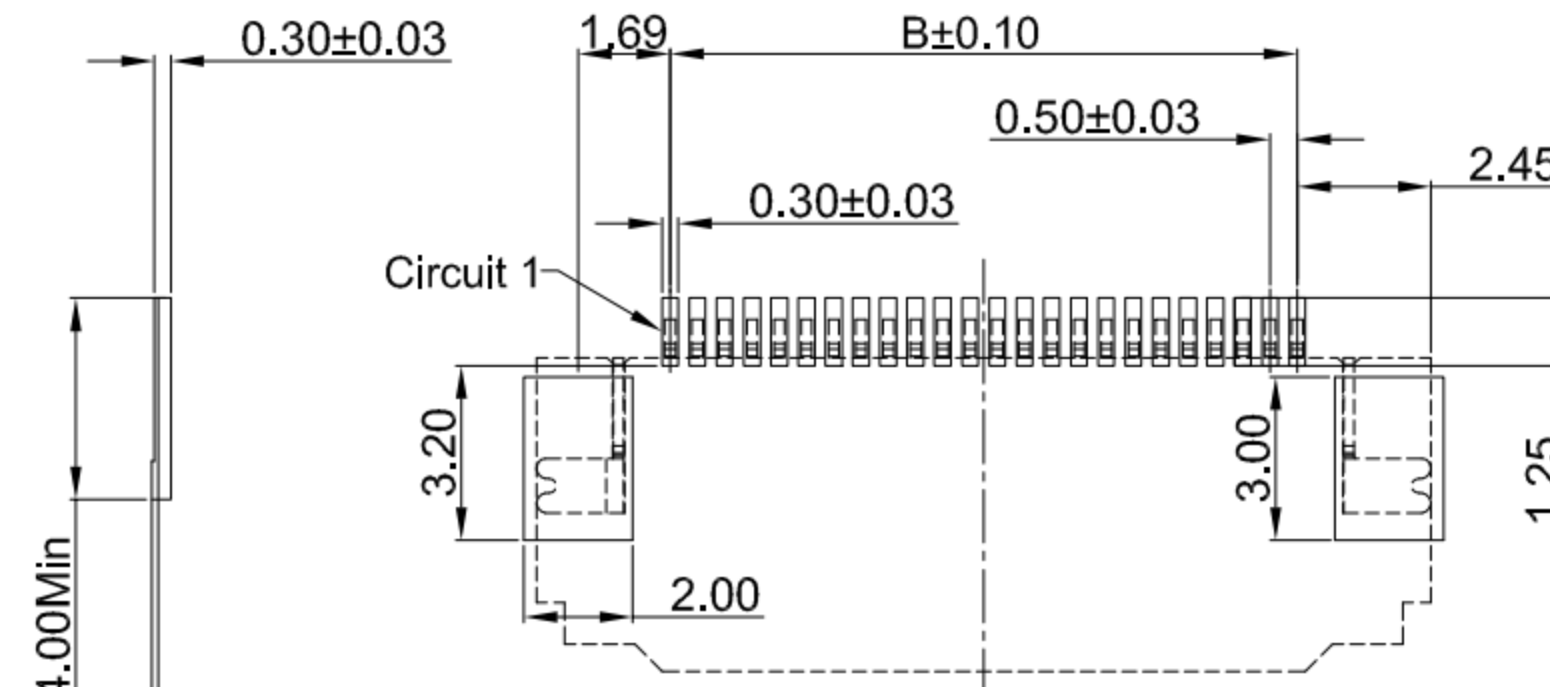
Housing Colour  
S-Nature

Pin Q' PY  
04~80

Height  
20-2.06mm



Applicable FPC



RECOMMENDED PCB LAYOUT  
TOLERANCE:±0.05

**Ordering Information:**

| Circuit | Dimensions(mm) |       |       |       | Circuit | Dimensions(mm) |       |       |       | Circuit | Dimensions(mm) |       |       |       | Circuit | Dimensions(mm) |       |       |       |
|---------|----------------|-------|-------|-------|---------|----------------|-------|-------|-------|---------|----------------|-------|-------|-------|---------|----------------|-------|-------|-------|
|         | A              | B     | C     | D     |         | A              | B     | C     | D     |         | A              | B     | C     | D     |         | A              | B     | C     | D     |
| 04      | 6.40           | 1.50  | 6.00  | 2.50  | 24      | 16.40          | 11.50 | 16.00 | 12.50 | 44      | 26.40          | 21.50 | 26.00 | 22.50 | 64      | 36.40          | 31.50 | 36.00 | 32.50 |
| 05      | 6.90           | 2.00  | 6.50  | 3.00  | 25      | 16.90          | 12.00 | 16.50 | 13.00 | 45      | 26.90          | 22.00 | 26.50 | 23.00 | 65      | 36.90          | 32.00 | 36.50 | 33.00 |
| 06      | 7.40           | 2.50  | 7.00  | 3.50  | 26      | 17.40          | 12.50 | 17.00 | 13.50 | 46      | 27.40          | 22.50 | 27.00 | 23.50 | 66      | 37.40          | 32.50 | 37.00 | 33.50 |
| 07      | 7.90           | 3.00  | 7.50  | 4.00  | 27      | 17.90          | 13.00 | 17.50 | 14.00 | 47      | 27.90          | 23.00 | 27.50 | 24.00 | 67      | 37.90          | 33.00 | 37.50 | 34.00 |
| 08      | 8.40           | 3.50  | 8.00  | 4.50  | 28      | 18.40          | 13.50 | 18.00 | 14.50 | 48      | 28.40          | 23.50 | 28.00 | 24.50 | 68      | 38.40          | 33.50 | 38.00 | 34.50 |
| 09      | 8.90           | 4.00  | 8.50  | 5.00  | 29      | 18.90          | 14.00 | 18.50 | 15.00 | 49      | 28.90          | 24.00 | 28.50 | 25.00 | 69      | 38.90          | 34.00 | 38.50 | 35.00 |
| 10      | 9.40           | 4.50  | 9.00  | 5.50  | 30      | 19.40          | 14.50 | 19.00 | 15.50 | 50      | 29.40          | 24.50 | 29.00 | 25.50 | 70      | 39.40          | 34.50 | 39.00 | 35.50 |
| 11      | 9.90           | 5.00  | 9.50  | 6.00  | 31      | 19.90          | 15.00 | 19.50 | 16.00 | 51      | 29.90          | 25.00 | 29.50 | 26.00 | 71      | 39.90          | 35.00 | 39.50 | 36.00 |
| 12      | 10.40          | 5.50  | 10.00 | 6.50  | 32      | 20.40          | 15.50 | 20.00 | 16.50 | 52      | 30.40          | 25.50 | 30.00 | 26.50 | 72      | 40.40          | 35.50 | 40.00 | 36.50 |
| 13      | 10.90          | 6.00  | 10.50 | 7.00  | 33      | 20.90          | 16.00 | 20.50 | 17.00 | 53      | 30.90          | 26.00 | 30.50 | 27.00 | 73      | 40.90          | 36.00 | 40.50 | 37.00 |
| 14      | 11.40          | 6.50  | 11.00 | 7.50  | 34      | 21.40          | 16.50 | 21.00 | 17.50 | 54      | 31.40          | 26.50 | 31.00 | 27.50 | 74      | 41.40          | 36.50 | 41.00 | 37.50 |
| 15      | 11.90          | 7.00  | 11.50 | 8.00  | 35      | 21.90          | 17.00 | 21.50 | 18.00 | 55      | 31.90          | 27.00 | 31.50 | 28.00 | 75      | 41.90          | 37.00 | 41.50 | 38.00 |
| 16      | 12.40          | 7.50  | 12.00 | 8.50  | 36      | 22.40          | 17.50 | 22.00 | 18.50 | 56      | 32.40          | 27.50 | 32.00 | 28.50 | 76      | 42.40          | 37.50 | 42.00 | 38.50 |
| 17      | 12.90          | 8.00  | 12.50 | 9.00  | 37      | 22.90          | 18.00 | 22.50 | 19.00 | 57      | 32.90          | 28.00 | 32.50 | 29.00 | 77      | 42.90          | 38.00 | 42.50 | 39.00 |
| 18      | 13.40          | 8.50  | 13.00 | 9.50  | 38      | 23.40          | 18.50 | 23.00 | 19.50 | 58      | 33.40          | 28.50 | 33.00 | 29.50 | 78      | 43.40          | 38.50 | 43.00 | 39.50 |
| 19      | 13.90          | 9.00  | 13.50 | 10.00 | 39      | 23.90          | 19.00 | 23.50 | 20.00 | 59      | 33.90          | 29.00 | 33.50 | 30.00 | 79      | 43.90          | 39.00 | 43.50 | 40.00 |
| 20      | 14.40          | 9.50  | 14.00 | 10.50 | 40      | 24.40          | 19.50 | 24.00 | 20.50 | 60      | 34.40          | 29.50 | 34.00 | 30.50 | 80      | 44.40          | 39.50 | 44.00 | 40.50 |
| 21      | 14.90          | 10.00 | 14.50 | 11.00 | 41      | 24.90          | 20.00 | 24.50 | 21.00 | 61      | 34.90          | 30.00 | 34.50 | 31.00 | ---     | ---            | ---   | ---   |       |
| 22      | 15.40          | 10.50 | 15.00 | 11.50 | 42      | 25.40          | 20.50 | 25.00 | 21.50 | 62      | 35.40          | 30.50 | 35.00 | 31.50 | ---     | ---            | ---   | ---   |       |
| 23      | 15.90          | 11.00 | 15.50 | 12.00 | 43      | 25.90          | 21.00 | 25.50 | 22.00 | 63      | 35.90          | 31.00 | 35.50 | 32.00 | ---     | ---            | ---   | ---   |       |

SCALE: 1:1 UNIT: mm

SIZE: A4

Title: FPC 0.50mm Pitch 90° SMT Type  
H2.0mm ZIF Connector

Unless otherwise  
General Tolerance:

|      |       |
|------|-------|
| X    | ±0.40 |
| X.x  | ±0.30 |
| X.xx | ±0.20 |
| X*   | ±5°   |
| X.x° | ±3°   |

Molde Code: GT-F0502SR20-XXXXX01

| DRAWN | CHECKED | APPROVED | DATE       |
|-------|---------|----------|------------|
| Hu    | Chen    | Chen     | 2022.12.28 |



REV: A0 SHEET: 1/1

| 4   | SOLDER TABS | BRASS           | MATTE Tin               |
|-----|-------------|-----------------|-------------------------|
| 3   | CONTACT     | PHOSPHOR BRONZE | ALL Au G/F OR MATTE Tin |
| 2   | COVER       | LCP,94V-0       | BLACK                   |
| 1   | HOUSING     | LCP,94V-0       | NATURE                  |
| NO. | PART NAME   | MATERIAL        | REMARK                  |



## X-ON Electronics

Largest Supplier of Electrical and Electronic Components

*Click to view similar products for [FFC & FPC Connectors](#) category:*

*Click to view products by [G-Switch](#) manufacturer:*

Other Similar products are found below :

[00-6200-227-022-800](#) [006205250500825+](#) [006205280500825+](#) [FPH-1602G](#) [086222026001800](#) [52610-0675](#) [62674-201121DLF](#) [52746-1671-TR250](#) [10051922-1610EHLF](#) [10051922-2810EHLF](#) [686322124422](#) [XF3M-2915-1B-R100](#) [AYF353125A](#) [AYF530665TA](#) [AYF534065TA](#) [20FLH-RSM1-TB](#) [PCA-7F-25-HL-3-G](#) [207356-1](#) [52807-0430](#) [FFC05011-10SBB114W5M](#) [502250-8027](#) [FH28K-40S-0.5SH](#) [200528-0260](#) [FH28K-10S-0.5SH](#) [501951-1250](#) [X05B20U43T](#) [0.5K-DX-30PWB](#) [DS1020-08-10VBT12](#) [THD0515-34CL-GF](#) [X05A10L28G](#) [ECC2841061EU](#) [20539-030E-01](#) [1.0K-DHQX-16PWB](#) [1.0K-DHQX-30PWB](#) [1775333-6](#) [10054365-202110ELF](#) [10054365-242110ELF](#) [10054365-282110ELF](#) [10064555-392220HLF](#) [59453-041110EBHLF](#) [59453-091110EDHLF](#) [62674-241141ALF](#) [62684-432100ALF](#) [62684-451100AHLF](#) [62684-5721N0ALF](#) [HFW11R-1STE1MTLF](#) [HFW12R-1STE9LF](#) [HFW14R-1STE9MTLF](#) [HFW18S-2STE9LF](#) [HFW20R-1STAE1HLF](#)