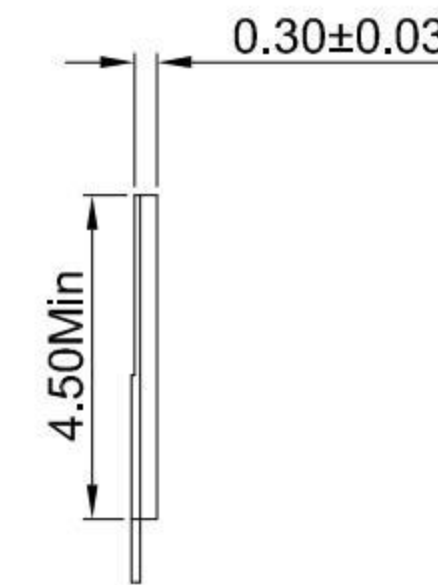
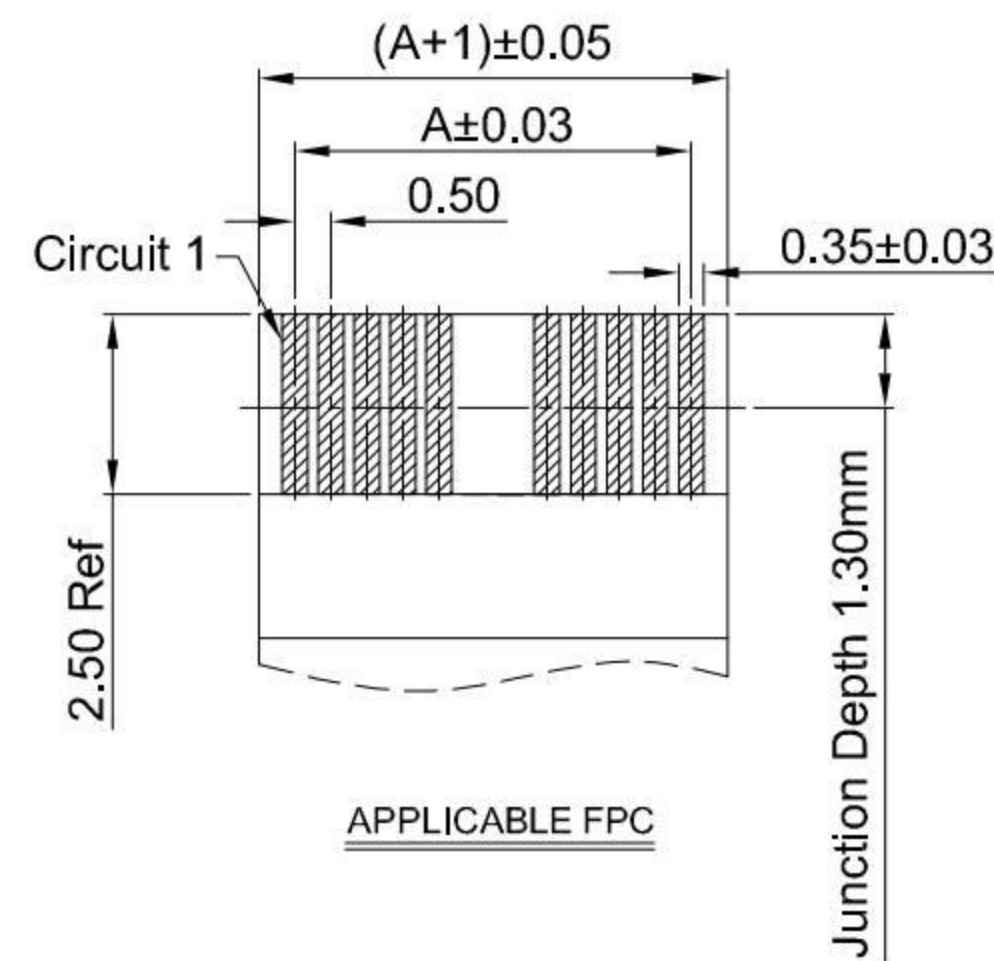
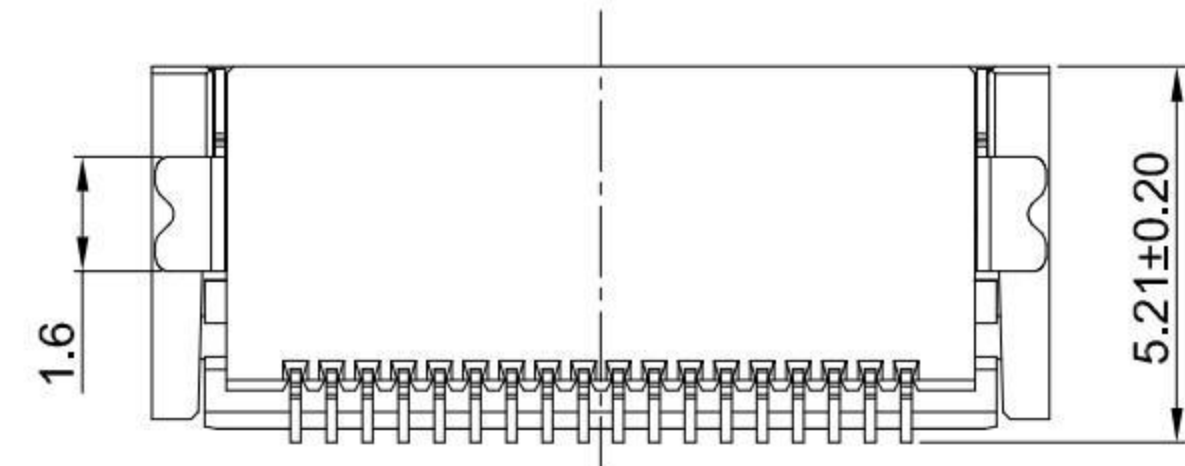
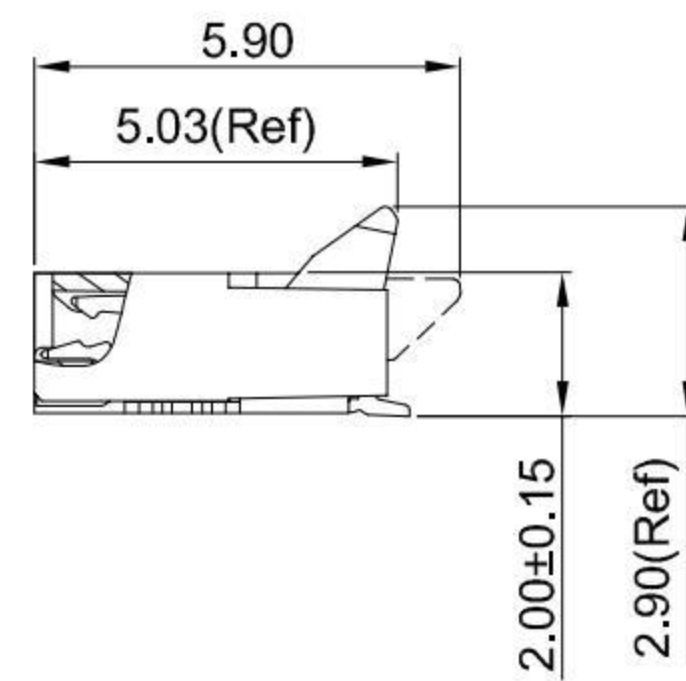
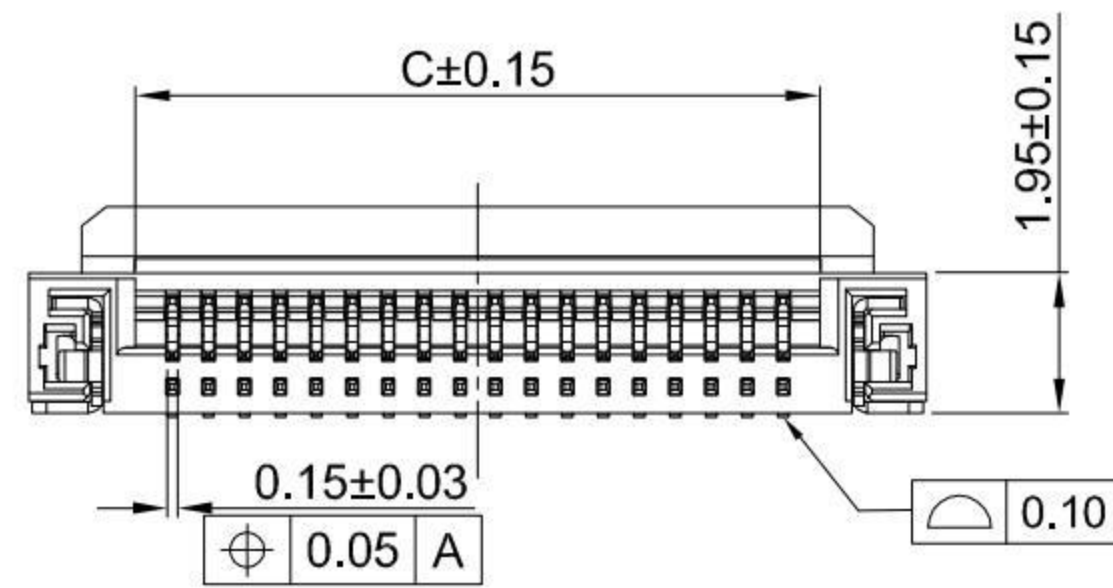


RECOMMENDED PCB LAYOUT  
TOLERANCE:±0.05



- G-Switch Specification:**
- 1.Current rated: 0.5A AC/DC
  - 2.Voltage rating: 50V AC/DC
  - 3.Withstanding voltage: 250V AC
  - 4.Contact resistance: 40mΩ max.
  - 5.Insulation resistance: 500MΩ min
  - 6.Durability cycle: 20Cycles
  - 7.Removal force: 0.03kgf/Pin min
  - 8.Operating temperature range: -25°C ~ +85°C



GT-F0503 S R 20 -XX X XX 01

**G-Switch**  
**Series No**  
**Termipoint** S-SMT  
**Angle** R-90°  
**Terminal Plating** 11-All G/F  
**Housing Colour** S-Nature  
**Pin Q' PY** 04~60  
**Height** 20-2.0mm

**Ordering Information:**

Circuit	Dimensions(mm)			Circuit	Dimensions(mm)		
	A	B	C		A	B	C
4	1.50	5.50	2.55	25	12.00	16.00	13.05
5	2.00	6.00	3.05	26	12.50	16.50	13.55
6	2.50	6.50	3.55	27	13.00	17.00	14.05
7	3.00	7.00	4.05	28	13.50	17.50	14.55
8	3.50	7.50	4.55	29	14.00	18.00	15.05
9	4.00	8.00	5.05	30	14.50	18.50	15.55
10	4.50	8.50	5.55	31	15.00	19.00	16.05
12	5.50	9.50	6.55	32	15.50	19.50	16.55
13	6.00	10.00	7.05	33	16.00	20.00	17.05
14	6.50	10.50	7.55	34	16.50	20.50	17.55
15	7.00	11.00	8.05	35	17.00	21.00	18.05
16	7.50	11.50	8.55	36	17.50	21.50	18.55
17	8.00	12.00	9.05	37	18.00	22.00	19.05
18	8.50	12.50	9.55	40	19.50	23.50	20.55
19	9.00	13.00	10.05	45	22.00	26.00	23.05
20	9.50	13.50	10.55	50	24.50	28.50	25.55
21	10.00	14.00	11.05	54	26.50	30.50	27.55
22	10.50	14.50	11.55	55	27.00	31.00	28.05
23	11.00	15.00	12.05	60	29.50	33.50	30.55
24	11.50	15.50	12.55	---	---	---	---

4	SOLDER TABS	BRASS	MATTE Tin
3	CONTACT	PHOSPHOR BRONZE	ALL G/F
2	COVER	PA9T,94V-0	BLACK
1	HOUSING	LCP,94V-0	NATURE
NO.	PART NAME	MATERIAL	REMARK



SCALE: 1:1 UNIT: mm  
 SIZE: A4

Title: FPC 0.50mm Pitch 90° SMT Type  
 H2.0mm Back Flip Connector

Unless otherwise  
 General Tolerance:  
 X ±0.40  
 X.x ±0.30  
 X.xx ±0.20  
 X° ±5°  
 X.x° ±3°

Molde Code: GT-F0503SR20-XXXXX01

DRAWN	CHECKED	APPROVED	DATE
Hu	Chen	Chen	2022.12.28



REV: A0 SHEET: 1/1

## X-ON Electronics

Largest Supplier of Electrical and Electronic Components

*Click to view similar products for [FFC & FPC Connectors](#) category:*

*Click to view products by [G-Switch](#) manufacturer:*

Other Similar products are found below :

[00-6200-227-022-800](#) [006205250500825+](#) [006205280500825+](#) [FPH-1602G](#) [086222026001800](#) [52610-0675](#) [62674-201121DLF](#) [52746-1671-TR250](#) [10051922-1610EHLF](#) [10051922-2810EHLF](#) [686322124422](#) [XF3M-2915-1B-R100](#) [AYF353125A](#) [AYF530665TA](#) [AYF534065TA](#) [20FLH-RSM1-TB](#) [PCA-7F-25-HL-3-G](#) [207356-1](#) [52807-0430](#) [FFC05011-10SBB114W5M](#) [502250-8027](#) [FH28K-40S-0.5SH](#) [200528-0260](#) [FH28K-10S-0.5SH](#) [501951-1250](#) [X05B20U43T](#) [0.5K-DX-30PWB](#) [DS1020-08-10VBT12](#) [THD0515-34CL-GF](#) [X05A10L28G](#) [ECC2841061EU](#) [20539-030E-01](#) [1.0K-DHQX-16PWB](#) [1.0K-DHQX-30PWB](#) [1775333-6](#) [10054365-202110ELF](#) [10054365-242110ELF](#) [10054365-282110ELF](#) [10064555-392220HLF](#) [59453-041110EBHLF](#) [59453-091110EDHLF](#) [62674-241141ALF](#) [62684-432100ALF](#) [62684-451100AHLF](#) [62684-5721N0ALF](#) [HFW11R-1STE1MTLF](#) [HFW12R-1STE9LF](#) [HFW14R-1STE9MTLF](#) [HFW18S-2STE9LF](#) [HFW20R-1STAE1HLF](#)