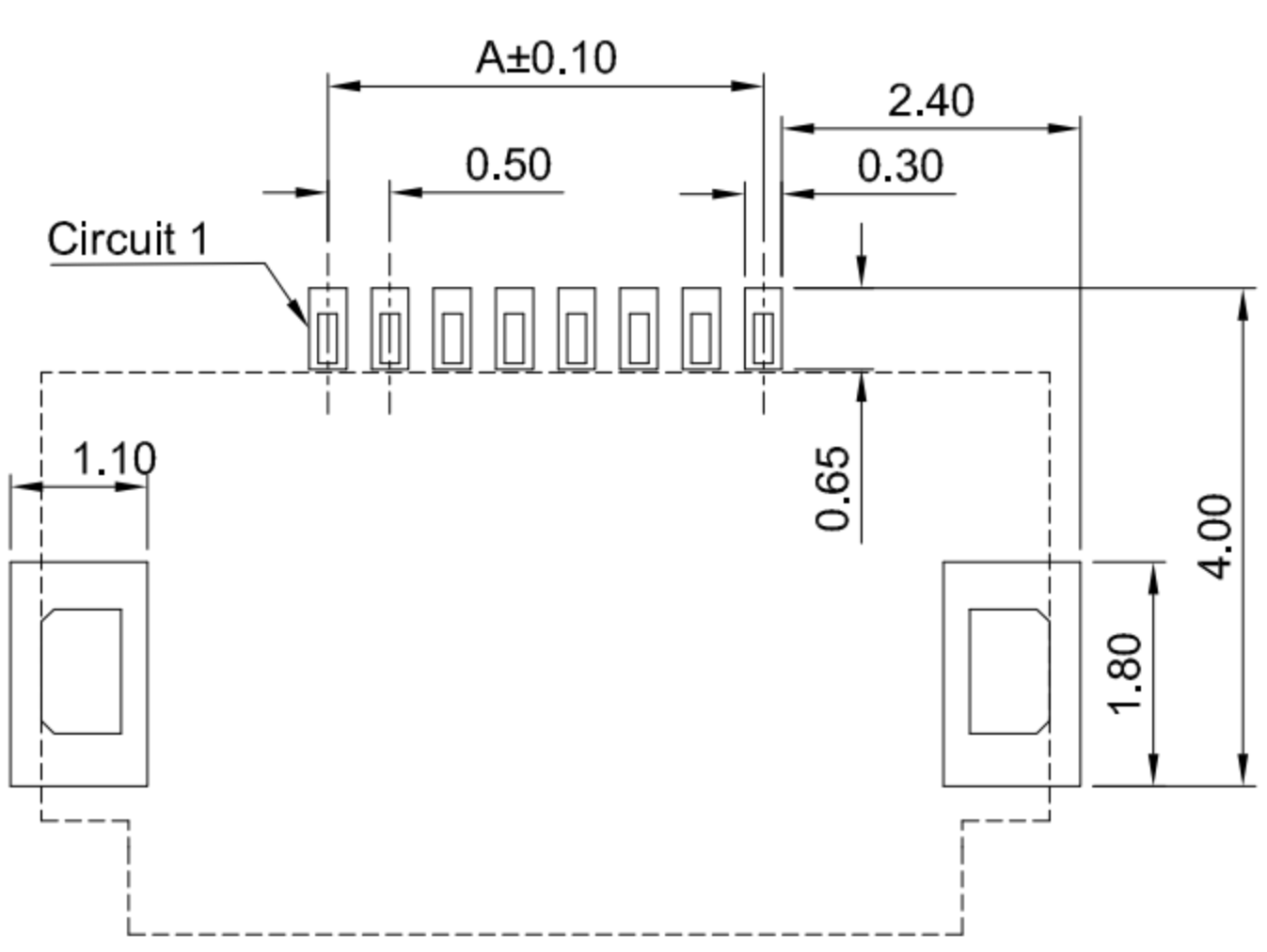
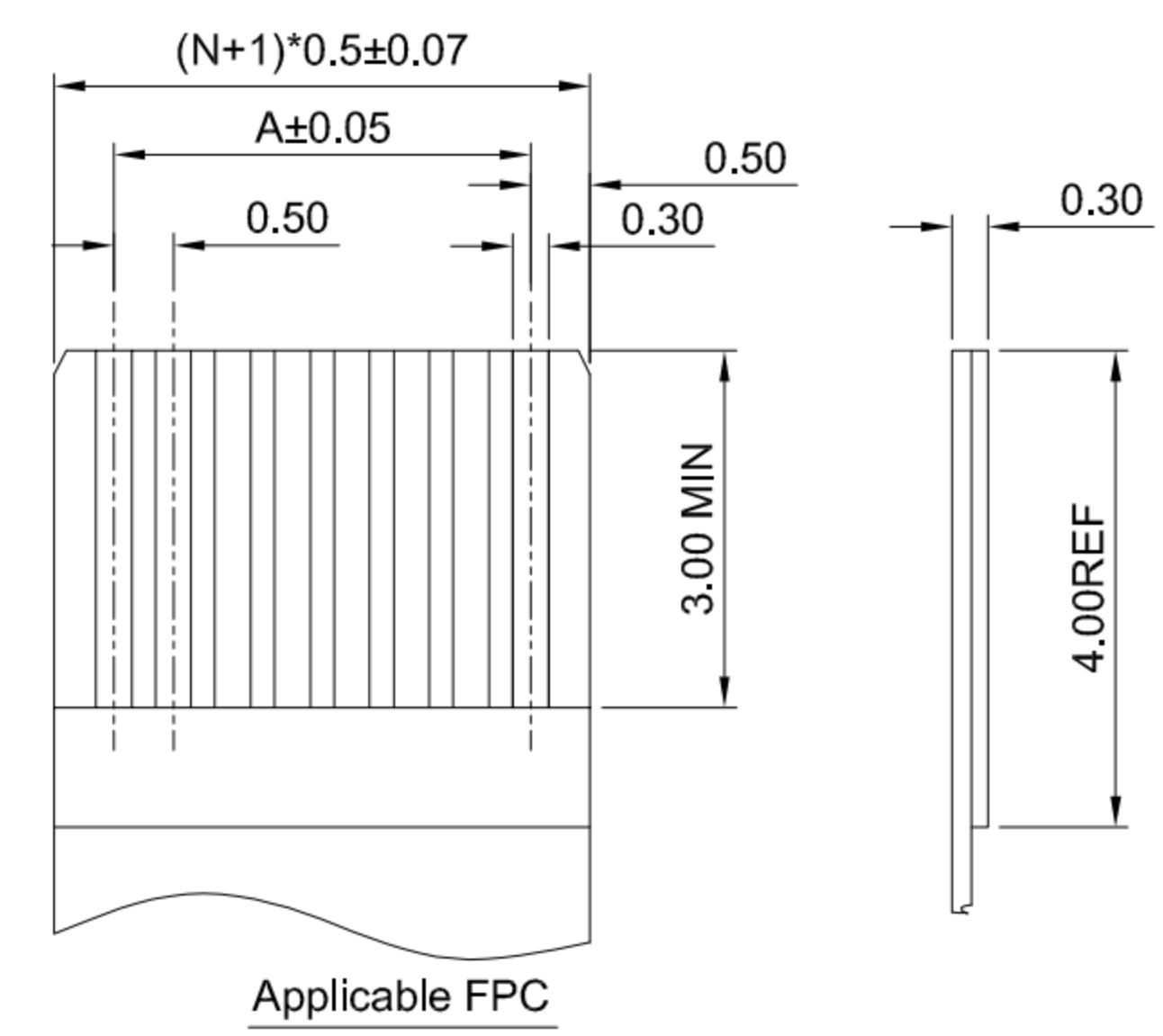
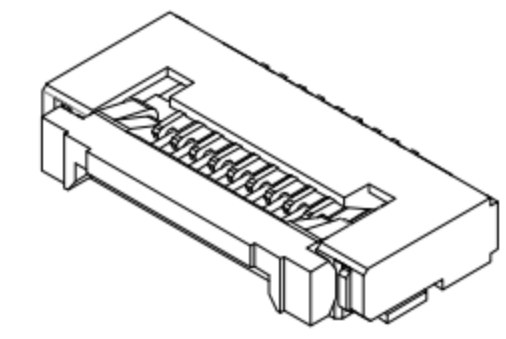
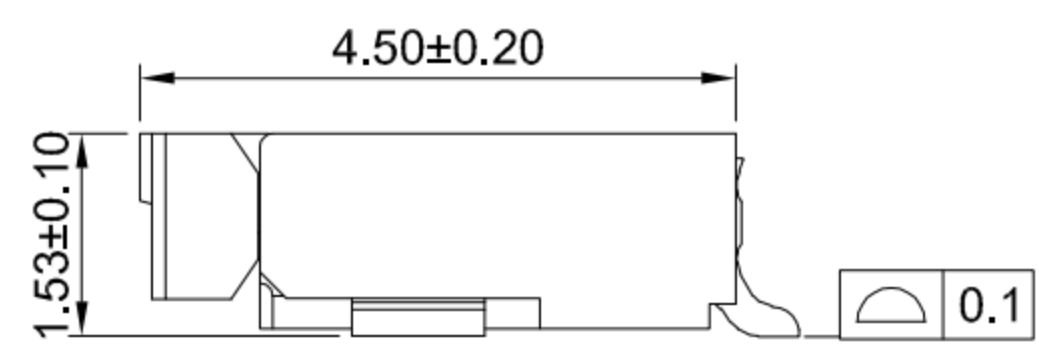
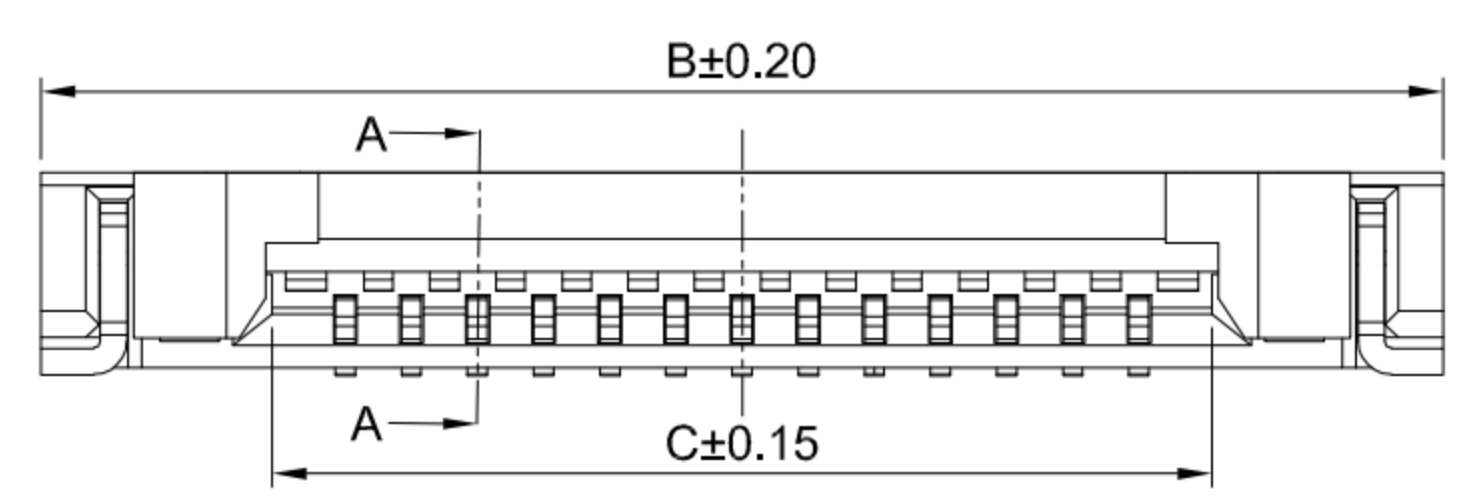


- G-Switch Specification:**
1. Current rated: 0.5A AC/DC
  2. Voltage rating: 50V AC/DC
  3. Withstanding voltage: 250V AC
  4. Contact resistance: 40mΩ max.
  5. Insulation resistance: 500MΩ min
  6. Durability cycle: 20Cycles
  7. Removal force: 0.03kgf/Pin min
  8. Operating temperature range: -25°C ~ +85°C



**GT-F0509 S R 15 -XX X XX 01**

- G-Switch**
- Series No**
- Termipoint**  
S-SMT
- Angle**  
R-90°
- Terminal Plating**  
01-G/F  
MT-Matte Tin
- Housing Colour**  
S-Nature
- Pin Q' PY**  
04~60
- Height**  
15-1.5mm



| Circuit | Dimensions(mm) |       |       | Circuit | Dimensions(mm) |       |       | Circuit | Dimensions(mm) |       |       |
|---------|----------------|-------|-------|---------|----------------|-------|-------|---------|----------------|-------|-------|
|         | A              | B     | C     |         | A              | B     | C     |         | A              | B     | C     |
| 4       | 1.50           | 6.10  | 2.57  | 24      | 11.50          | 16.10 | 12.57 | 44      | 21.50          | 26.10 | 22.57 |
| 5       | 2.00           | 6.60  | 3.07  | 25      | 12.00          | 16.60 | 13.07 | 45      | 22.00          | 26.60 | 23.07 |
| 6       | 2.50           | 7.10  | 3.57  | 26      | 12.50          | 17.10 | 13.57 | 46      | 22.50          | 27.10 | 23.57 |
| 7       | 3.00           | 7.60  | 4.07  | 27      | 13.00          | 17.60 | 14.07 | 47      | 23.00          | 27.60 | 24.07 |
| 8       | 3.50           | 8.10  | 4.57  | 28      | 13.50          | 18.10 | 14.57 | 48      | 23.50          | 28.10 | 24.57 |
| 9       | 4.00           | 8.60  | 5.07  | 29      | 14.00          | 18.60 | 15.07 | 49      | 24.00          | 28.60 | 25.07 |
| 10      | 4.50           | 9.10  | 5.57  | 30      | 14.50          | 19.10 | 15.57 | 50      | 24.50          | 29.10 | 25.57 |
| 11      | 5.00           | 9.60  | 6.07  | 31      | 15.00          | 19.60 | 16.07 | 51      | 25.00          | 29.60 | 26.07 |
| 12      | 5.50           | 10.10 | 6.57  | 32      | 15.50          | 20.10 | 16.57 | 52      | 25.50          | 30.10 | 26.57 |
| 13      | 6.00           | 10.60 | 7.07  | 33      | 16.00          | 20.60 | 17.07 | 53      | 26.00          | 30.60 | 27.07 |
| 14      | 6.50           | 11.10 | 7.57  | 34      | 16.50          | 21.10 | 17.57 | 54      | 26.50          | 31.10 | 27.57 |
| 15      | 7.00           | 11.60 | 8.07  | 35      | 17.00          | 21.60 | 18.07 | 55      | 27.00          | 31.60 | 28.07 |
| 16      | 7.50           | 12.10 | 8.57  | 36      | 17.50          | 22.10 | 18.57 | 56      | 27.50          | 32.10 | 28.57 |
| 17      | 8.00           | 12.60 | 9.07  | 37      | 18.00          | 22.60 | 19.07 | 57      | 28.00          | 32.60 | 29.07 |
| 18      | 8.50           | 13.10 | 9.57  | 38      | 18.50          | 23.10 | 19.57 | 58      | 28.50          | 33.10 | 29.57 |
| 19      | 9.00           | 13.60 | 10.07 | 39      | 19.00          | 23.60 | 20.07 | 59      | 29.00          | 33.60 | 30.07 |
| 20      | 9.50           | 14.10 | 10.57 | 40      | 19.50          | 24.10 | 20.57 | 60      | 29.50          | 34.10 | 30.57 |
| 21      | 10.00          | 14.60 | 11.07 | 41      | 20.00          | 24.60 | 21.07 | 65      | 32.00          | 36.60 | 33.07 |
| 22      | 10.50          | 15.10 | 11.57 | 42      | 20.50          | 25.10 | 21.57 | 68      | 33.50          | 38.10 | 34.57 |
| 23      | 11.00          | 15.60 | 12.07 | 43      | 21.00          | 25.60 | 22.07 | ---     | ---            | ---   | ---   |

| NO. | PART NAME   | MATERIAL        | REMARK                                  |
|-----|-------------|-----------------|---|
| 4   | SOLDER TABS | BRASS           | MATTE Tin                               |
| 3   | CONTACT     | PHOSPHOR BRONZE | Matte tin or Gold-flash on contact area |
| 2   | COVER       | LCP,94V-0       | BLACK                                   |
| 1   | HOUSING     | LCP,94V-0       | NATURE                                  |



SCALE: UNIT: mm  
 SIZE: A4  
 Unless otherwise General Tolerance:  
 X ±0.40  
 X.x ±0.30  
 X.xx ±0.20  
 X\* ±5°  
 X.x° ±3°

Title: FPC 0.5 Pitch 90° SMT Type  
 H1.50mm connector  
 Molde Code: GT-F0509SR15-XXXXX01  
 DRAWN: Xia  
 CHECKED: Chen  
 APPROVED: Chen  
 DATE: 2022.12.28



REV: A0 SHEET: 1/1

## X-ON Electronics

Largest Supplier of Electrical and Electronic Components

*Click to view similar products for [FFC & FPC Connectors](#) category:*

*Click to view products by [G-Switch](#) manufacturer:*

Other Similar products are found below :

[00-6200-227-022-800](#) [006205250500825+](#) [006205280500825+](#) [FPH-1602G](#) [086222026001800](#) [52610-0675](#) [62674-201121DLF](#) [52746-1671-TR250](#) [10051922-1610EHLF](#) [10051922-2810EHLF](#) [686322124422](#) [XF3M-2915-1B-R100](#) [AYF353125A](#) [AYF530665TA](#) [AYF534065TA](#) [20FLH-RSM1-TB](#) [PCA-7F-25-HL-3-G](#) [207356-1](#) [52807-0430](#) [FFC05011-10SBB114W5M](#) [502250-8027](#) [FH28K-40S-0.5SH](#) [200528-0260](#) [FH28K-10S-0.5SH](#) [501951-1250](#) [X05B20U43T](#) [0.5K-DX-30PWB](#) [DS1020-08-10VBT12](#) [THD0515-34CL-GF](#) [X05A10L28G](#) [ECC2841061EU](#) [20539-030E-01](#) [1.0K-DHQX-16PWB](#) [1.0K-DHQX-30PWB](#) [1775333-6](#) [10054365-202110ELF](#) [10054365-242110ELF](#) [10054365-282110ELF](#) [10064555-392220HLF](#) [59453-041110EBHLF](#) [59453-091110EDHLF](#) [62674-241141ALF](#) [62684-432100ALF](#) [62684-451100AHLF](#) [62684-5721N0ALF](#) [HFW11R-1STE1MTLF](#) [HFW12R-1STE9LF](#) [HFW14R-1STE9MTLF](#) [HFW18S-2STE9LF](#) [HFW20R-1STAE1HLF](#)