

SECTION A-A(2:1)

- G-Switch Specification:**
1. Current rated: 0.5A AC/DC
 2. Voltage rating: 50V AC/DC
 3. Withstanding voltage: 250V AC
 4. Contact resistance: 40mΩ max.
 5. Insulation resistance: 500MΩ min
 6. Durability cycle: 20Cycles
 7. Removal force: 0.04kgf/Pin min
 8. Operating temperature range: -25°C ~ +85°C



GT-F0512 S R 18 -XX X XX 01

G-Switch

Series No

Termipoint
S-SMT

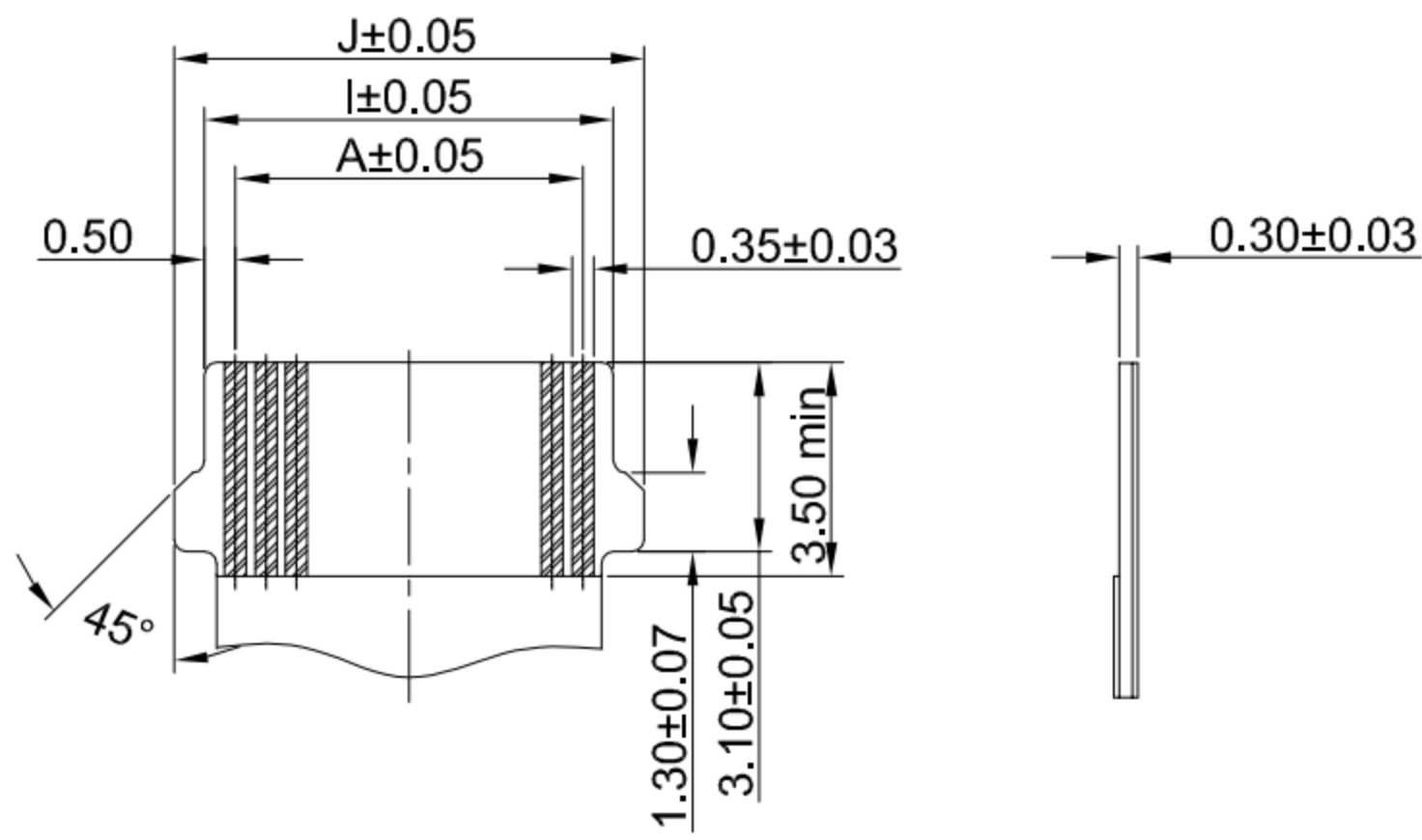
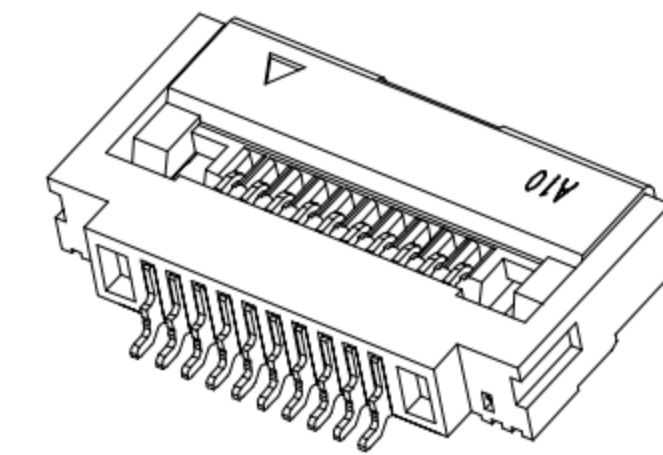
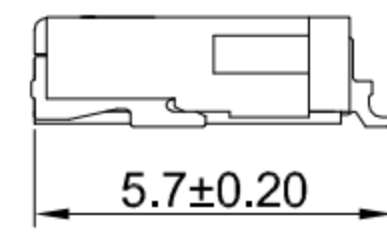
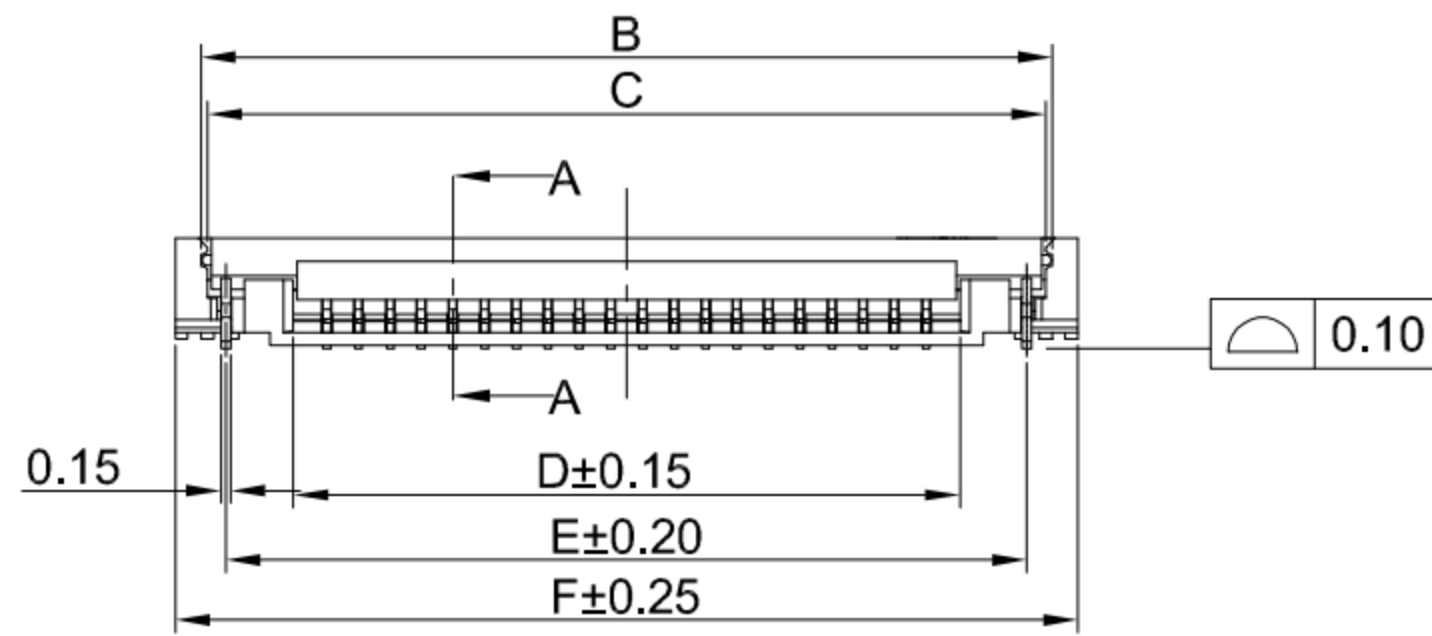
Angle
R-90°

Terminal Plating
01-G/F

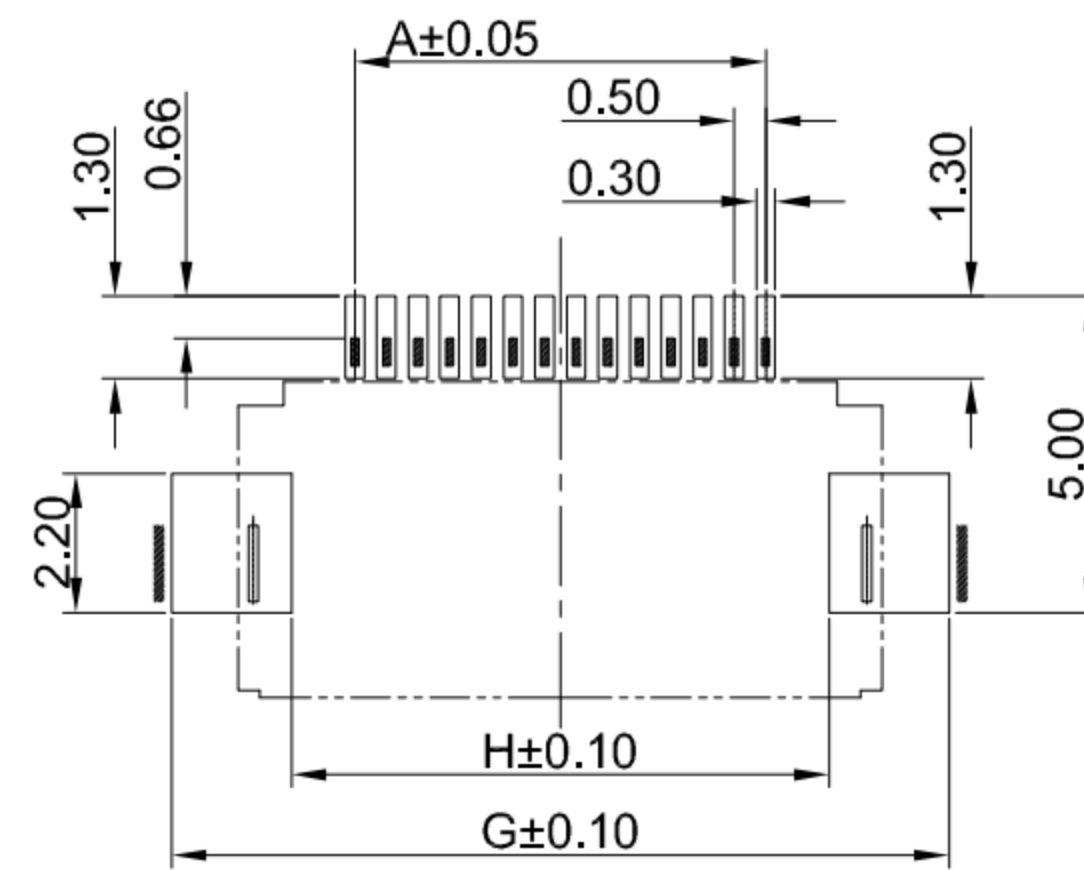
Housing Colour
S-Nature

Pin Q' PY
04~50

Height
18: 1.80mm



APPLICABLE FLAT CABLE



RECOMMENDED PCB LAYOUT
TOLERANCE:±0.05

Circuit	Dimensions(mm)									
	A	B	C	D	E	F	G	H	I	J
04	1.50	5.29	5.47	2.57	4.70	6.30	7.30	3.50	2.50	3.90
06	2.50	6.29	6.47	3.57	5.70	7.30	8.30	4.50	3.50	4.90
08	3.50	7.29	7.47	4.57	6.70	8.30	9.30	5.50	4.50	5.90
10	4.50	8.29	8.47	5.57	7.70	9.30	10.30	6.50	5.50	6.90
12	5.50	9.29	9.47	6.57	8.70	10.30	11.30	7.50	6.50	7.90
14	6.50	10.29	10.47	7.57	9.70	11.30	12.30	8.50	7.50	8.90
15	7.00	10.79	10.97	8.07	10.20	11.80	12.80	9.00	8.00	9.40
20	9.50	13.29	13.47	10.57	12.70	14.30	15.30	11.50	10.50	11.90
26	12.50	16.29	16.47	13.57	15.70	17.30	18.30	14.50	13.50	14.90
30	14.50	18.29	18.47	15.57	17.70	19.30	20.30	16.50	15.50	16.90
40	19.50	23.29	23.47	20.57	22.70	24.30	25.30	21.50	20.50	21.90
50	24.50	28.29	28.47	25.57	27.70	29.30	30.30	26.50	25.50	26.90
---	---	---	---	---	---	---	---	---	---	---

NO.	PART NAME	MATERIAL	REMARK
4	SOLDER TABS	BRASS	MATTE Tin
3	CONTACT	PHOSPHOR BRONZE	Gold-flash on contact area
2	COVER	LCP,94V-0	BLACK
1	HOUSING	LCP,94V-0	NATURE



SCALE: 1:1 UNIT: mm
SIZE: A4

Unless otherwise
General Tolerance:
X ±0.50
X.x ±0.20
X.xx ±0.10
X* ±1°

Title: FPC 0.50mm Pitch 90° SMT With Lock
H1.8mm connector

Molde Code: GT-F0512SR18-XXXXX01

DRAWN	CHECKED	APPROVED	DATE
Hu	Chen	Chen	2022.12.28



REV: A0 SHEET: 1/1

X-ON Electronics

Largest Supplier of Electrical and Electronic Components

Click to view similar products for [FFC & FPC Connectors](#) category:

Click to view products by [G-Switch](#) manufacturer:

Other Similar products are found below :

[00-6200-227-022-800](#) [006205250500825+](#) [006205280500825+](#) [FPH-1602G](#) [086222026001800](#) [52610-0675](#) [62674-201121DLF](#) [52746-1671-TR250](#) [10051922-1610EHLF](#) [10051922-2810EHLF](#) [686322124422](#) [XF3M-2915-1B-R100](#) [AYF353125A](#) [AYF530665TA](#) [AYF534065TA](#) [20FLH-RSM1-TB](#) [PCA-7F-25-HL-3-G](#) [207356-1](#) [52807-0430](#) [FFC05011-10SBB114W5M](#) [502250-8027](#) [FH28K-40S-0.5SH](#) [200528-0260](#) [FH28K-10S-0.5SH](#) [501951-1250](#) [X05B20U43T](#) [0.5K-DX-30PWB](#) [DS1020-08-10VBT12](#) [THD0515-34CL-GF](#) [X05A10L28G](#) [ECC2841061EU](#) [20539-030E-01](#) [1.0K-DHQX-16PWB](#) [1.0K-DHQX-30PWB](#) [1775333-6](#) [10054365-202110ELF](#) [10054365-242110ELF](#) [10054365-282110ELF](#) [10064555-392220HLF](#) [59453-041110EBHLF](#) [59453-091110EDHLF](#) [62674-241141ALF](#) [62684-432100ALF](#) [62684-451100AHLF](#) [62684-5721N0ALF](#) [HFW11R-1STE1MTLF](#) [HFW12R-1STE9LF](#) [HFW14R-1STE9MTLF](#) [HFW18S-2STE9LF](#) [HFW20R-1STAE1HLF](#)