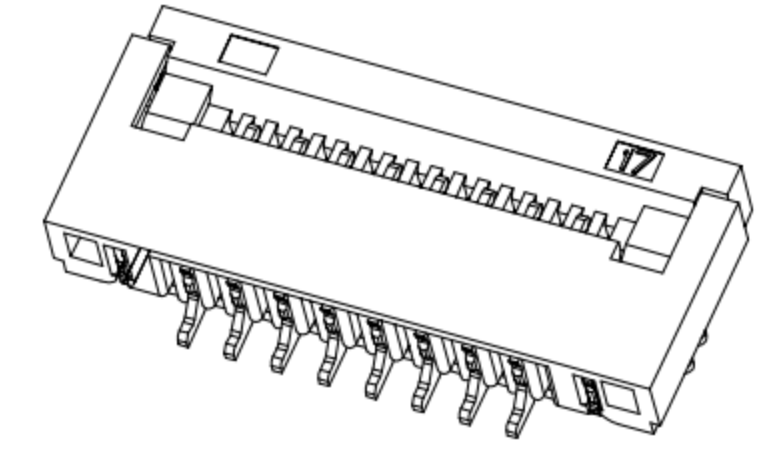
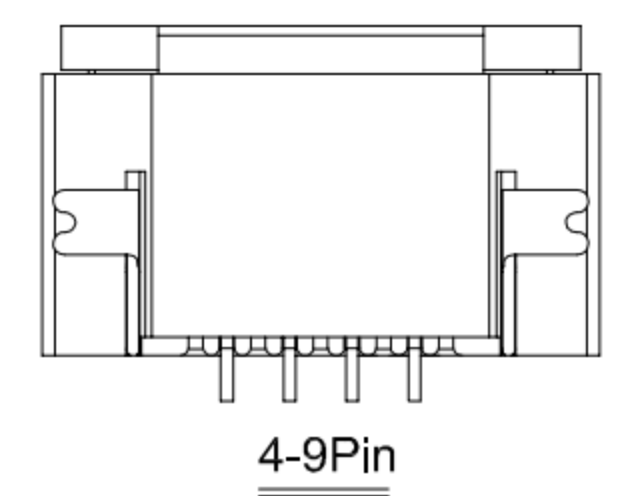
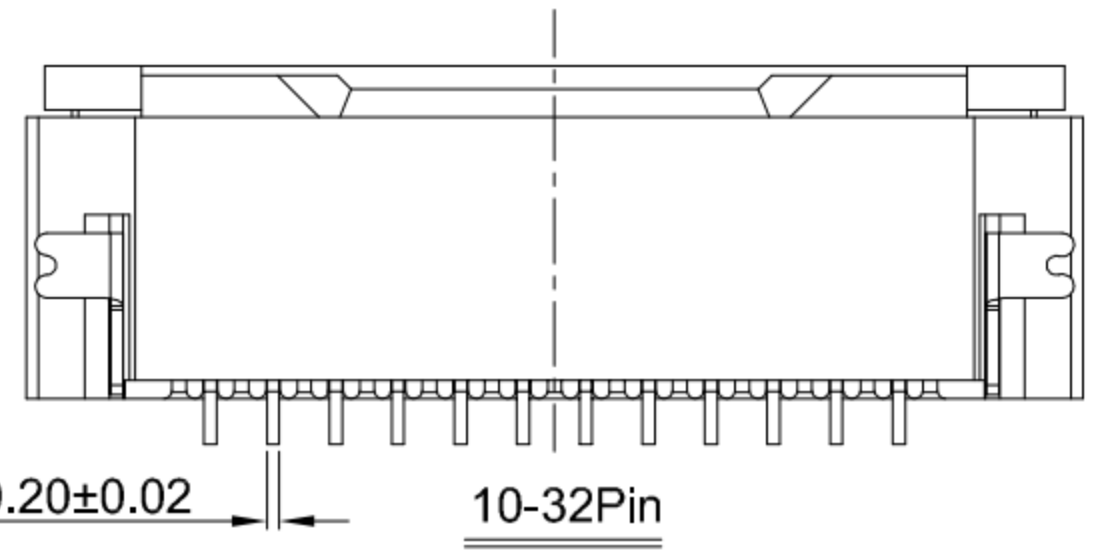
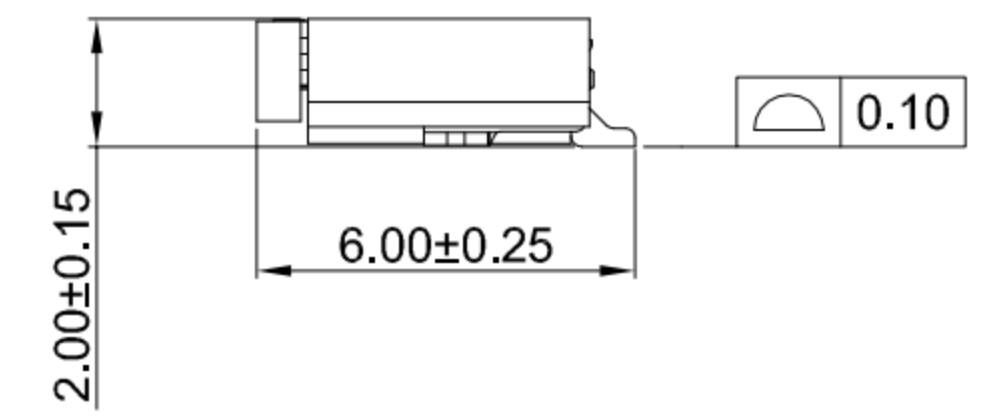
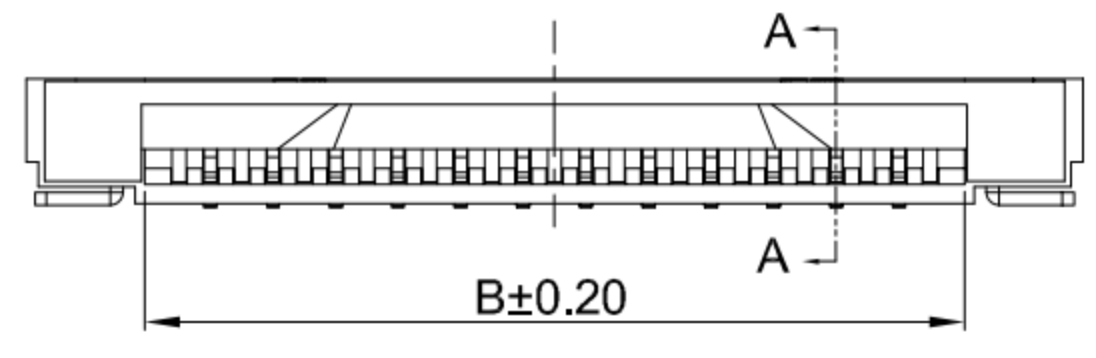


- G-Switch Specification:**
- 1.Current rated: 0.5A AC/DC
  - 2.Voltage rating: 50V AC/DC
  - 3.Withstanding voltage: 500V AC
  - 4.Contact resistance: 30mΩ max.
  - 5.Insulation resistance: 500MΩ min
  - 6.Durability cycle: 30Cycles
  - 7.Removal force: 0.04kgf/Pin min
  - 8.Operating temperature range: -25°C ~ +85°C



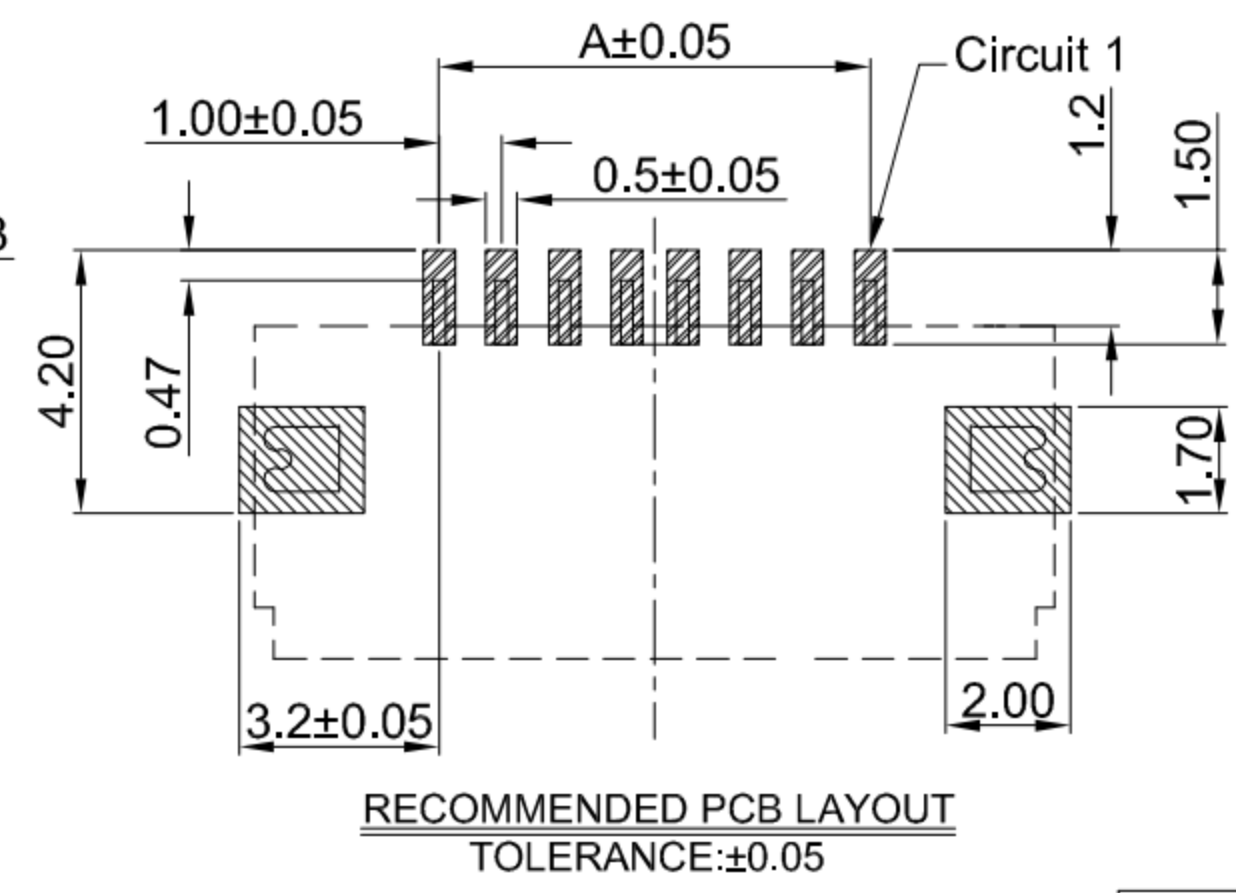
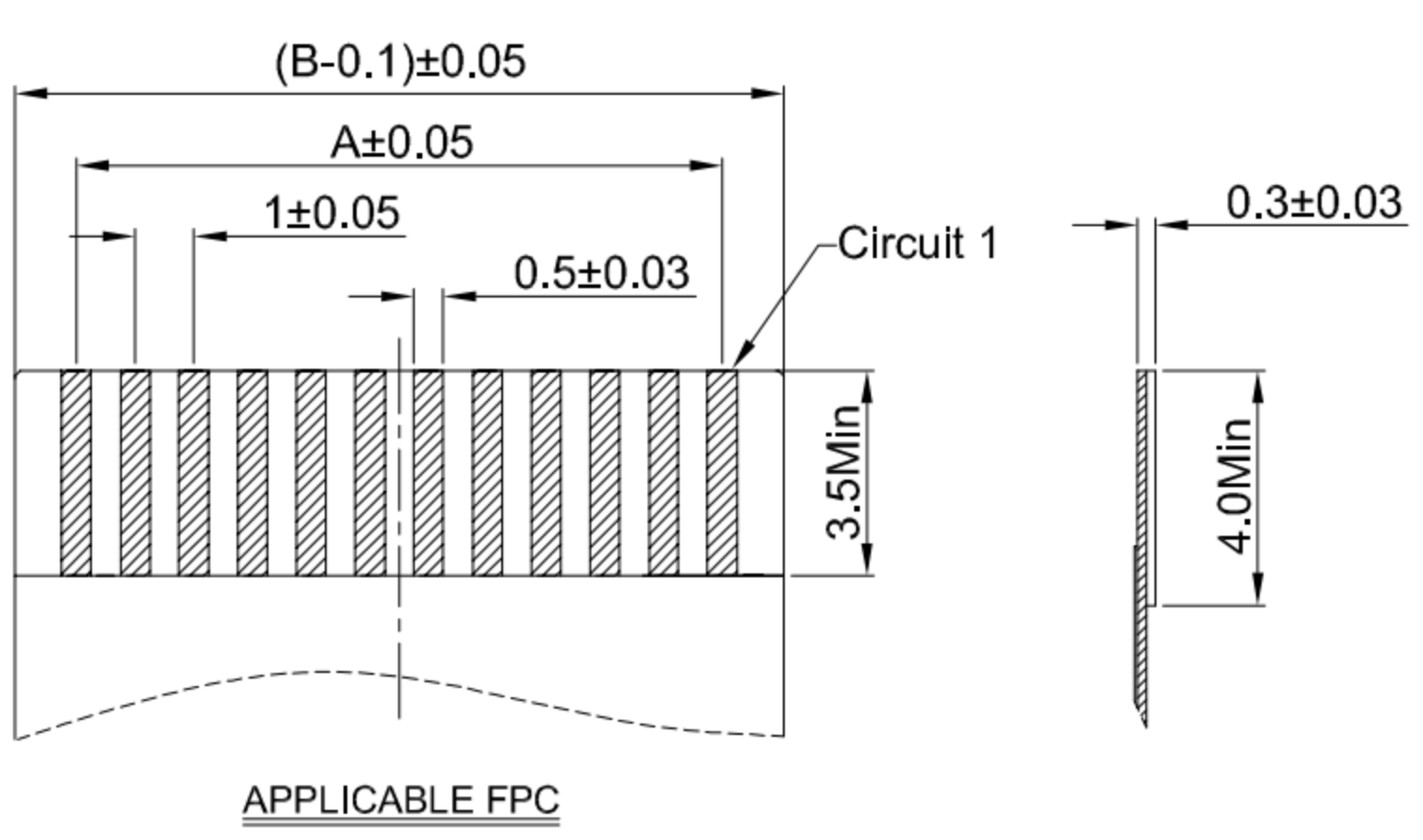
GT-F1008 S R 20 -XX X XX 01

**G-Switch**  
**Series No**  
**Termipoint** S-SMT  
**Angle** R-90°  
**Terminal Plating** MT-Matte tin  
 01-G/F  
**Housing Colour** S-Nature  
**Pin Q' PY** 04~32  
**Height** 20-2.0mm



**Ordering Information:**

Circuit	Dimensions(mm)			Circuit	Dimensions(mm)		
	A	B	C		A	B	C
4	3.00	5.10	8.90	19	18.00	20.10	23.90
5	4.00	6.10	9.90	20	19.00	21.10	24.90
6	5.00	7.10	10.90	21	20.00	22.10	25.90
7	6.00	8.10	11.90	22	21.00	23.10	26.90
8	7.00	9.10	12.90	23	22.00	24.10	27.90
9	8.00	10.10	13.90	24	23.00	25.10	28.90
10	9.00	11.10	14.90	25	24.00	26.10	29.90
11	10.00	12.10	15.90	26	25.00	27.10	30.90
12	11.00	13.10	16.90	27	26.00	28.10	31.90
13	12.00	14.10	17.90	28	27.00	29.10	32.90
14	13.00	15.10	18.90	29	28.00	30.10	33.90
15	14.00	16.10	19.90	30	29.00	31.10	34.90
16	15.00	17.10	20.90	31	30.00	32.10	35.90
17	16.00	18.10	21.90	32	31.00	33.10	36.90
18	17.00	19.10	22.90	---	---	---	---



4	SOLDER TABS	PHOSPHOR BRONZE	MATTE Tin
3	CONTACT	PHOSPHOR BRONZE	MATTE Tin Or Gold-Flash On Contact Area
2	COVER	LCP,94V-0	BLACK
1	HOUSING	LCP,94V-0	NATURE
NO.	PART NAME	MATERIAL	REMARK



SCALE: 1:1 UNIT: mm  
 SIZE: A4  
 Unless otherwise General Tolerance:  
 X ±0.40  
 X.x ±0.30  
 X.xx ±0.20  
 X\* ±5°  
 X.x° ±3°

Title: FPC 1.00mm Pitch 90° H2.0mm SMT Type Connector  
 Molde Code: GT-F1008SR20-XXXXX01  
 DRAWN: Jiang CHECKED: Hu APPROVED: Chen DATE: 2021.06.28



REV: A0 SHEET: 1/1

## X-ON Electronics

Largest Supplier of Electrical and Electronic Components

*Click to view similar products for [FFC & FPC Connectors](#) category:*

*Click to view products by [G-Switch](#) manufacturer:*

Other Similar products are found below :

[00-6200-227-022-800](#) [006205250500825+](#) [006205280500825+](#) [FPH-1602G](#) [086222026001800](#) [52610-0675](#) [62674-201121DLF](#) [52746-1671-TR250](#) [10051922-1610EHLF](#) [10051922-2810EHLF](#) [686322124422](#) [XF3M-2915-1B-R100](#) [AYF353125A](#) [AYF530665TA](#) [AYF534065TA](#) [20FLH-RSM1-TB](#) [PCA-7F-25-HL-3-G](#) [207356-1](#) [52807-0430](#) [FFC05011-10SBB114W5M](#) [502250-8027](#) [FH28K-40S-0.5SH](#) [200528-0260](#) [FH28K-10S-0.5SH](#) [501951-1250](#) [X05B20U43T](#) [0.5K-DX-30PWB](#) [DS1020-08-10VBT12](#) [THD0515-34CL-GF](#) [X05A10L28G](#) [ECC2841061EU](#) [20539-030E-01](#) [1.0K-DHQX-16PWB](#) [1.0K-DHQX-30PWB](#) [1775333-6](#) [10054365-202110ELF](#) [10054365-242110ELF](#) [10054365-282110ELF](#) [10064555-392220HLF](#) [59453-041110EBHLF](#) [59453-091110EDHLF](#) [62674-241141ALF](#) [62684-432100ALF](#) [62684-451100AHLF](#) [62684-5721N0ALF](#) [HFW11R-1STE1MTLF](#) [HFW12R-1STE9LF](#) [HFW14R-1STE9MTLF](#) [HFW18S-2STE9LF](#) [HFW20R-1STAE1HLF](#)