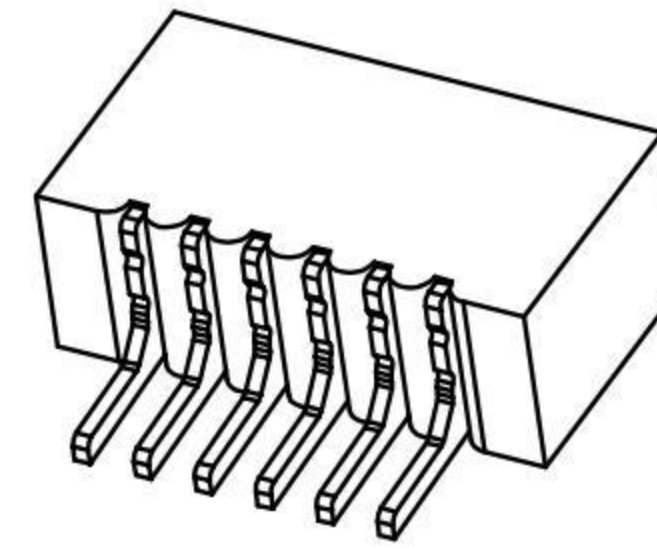
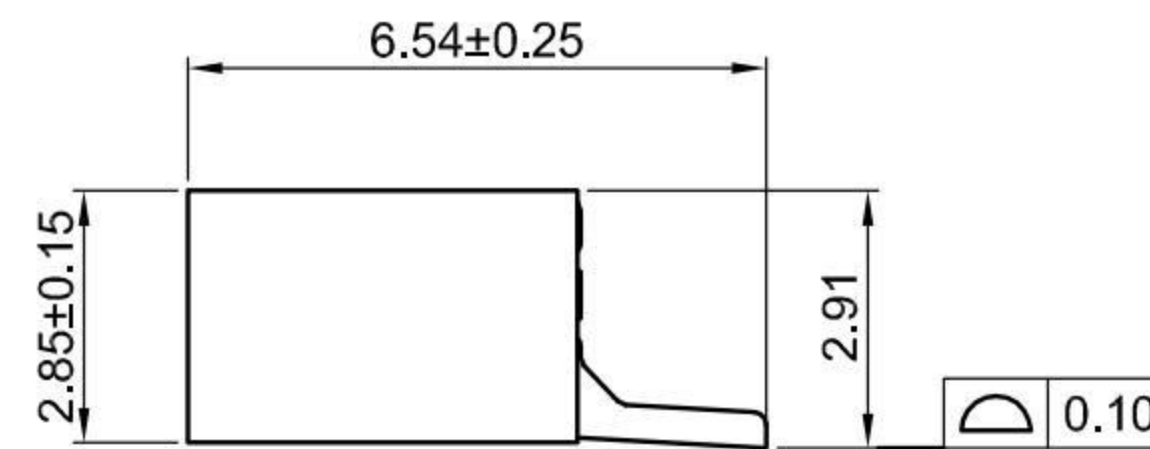
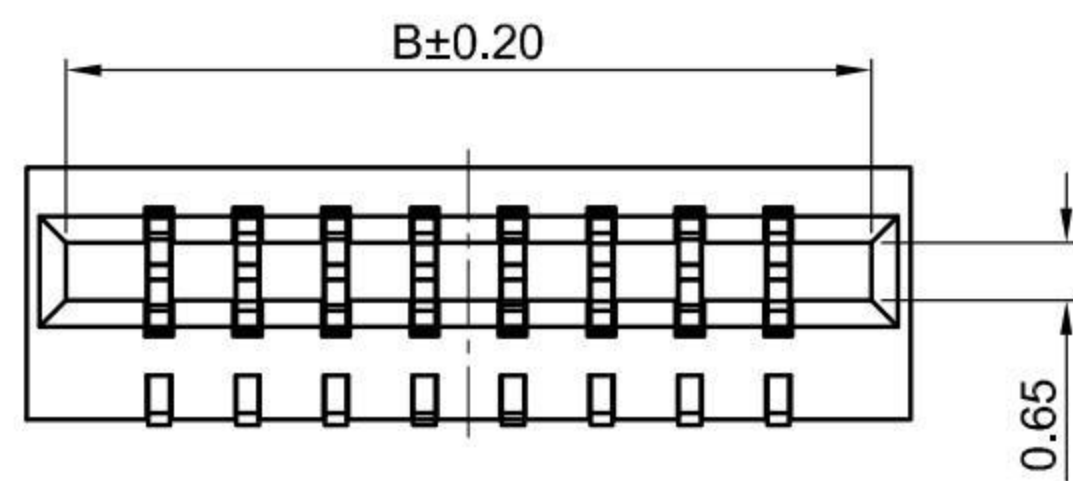


SECTION A-A



G-Switch Specification:

- 1.Current rated: 0.5A AC/DC
- 2.Voltage rating: 50V AC/DC
- 3.Withstanding voltage: 200V AC for 1 min
- 4.Contact resistance: 30mΩ max.
- 5.Insulation resistance: 800MΩ min
- 6.Durability cycle: 20Cycles
- 7.Removal force: 0.04kgf/Pin min
- 8.Operating temperature range: -25°C ~ +85°C



GT-F1009 S R 28 -XX X XX 01

G-Switch

Series No

Termipoint
S-SMT

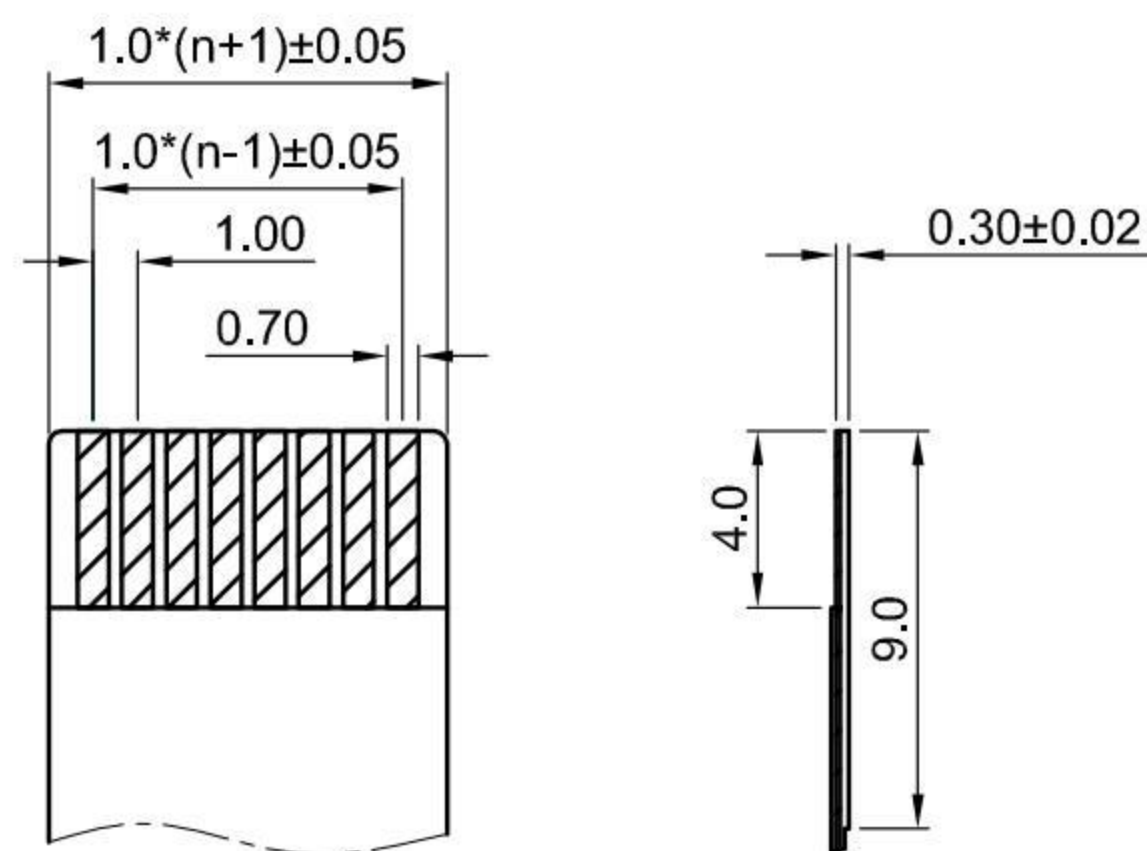
Angle
R-90°

Terminal Plating
BT-Bright Tin

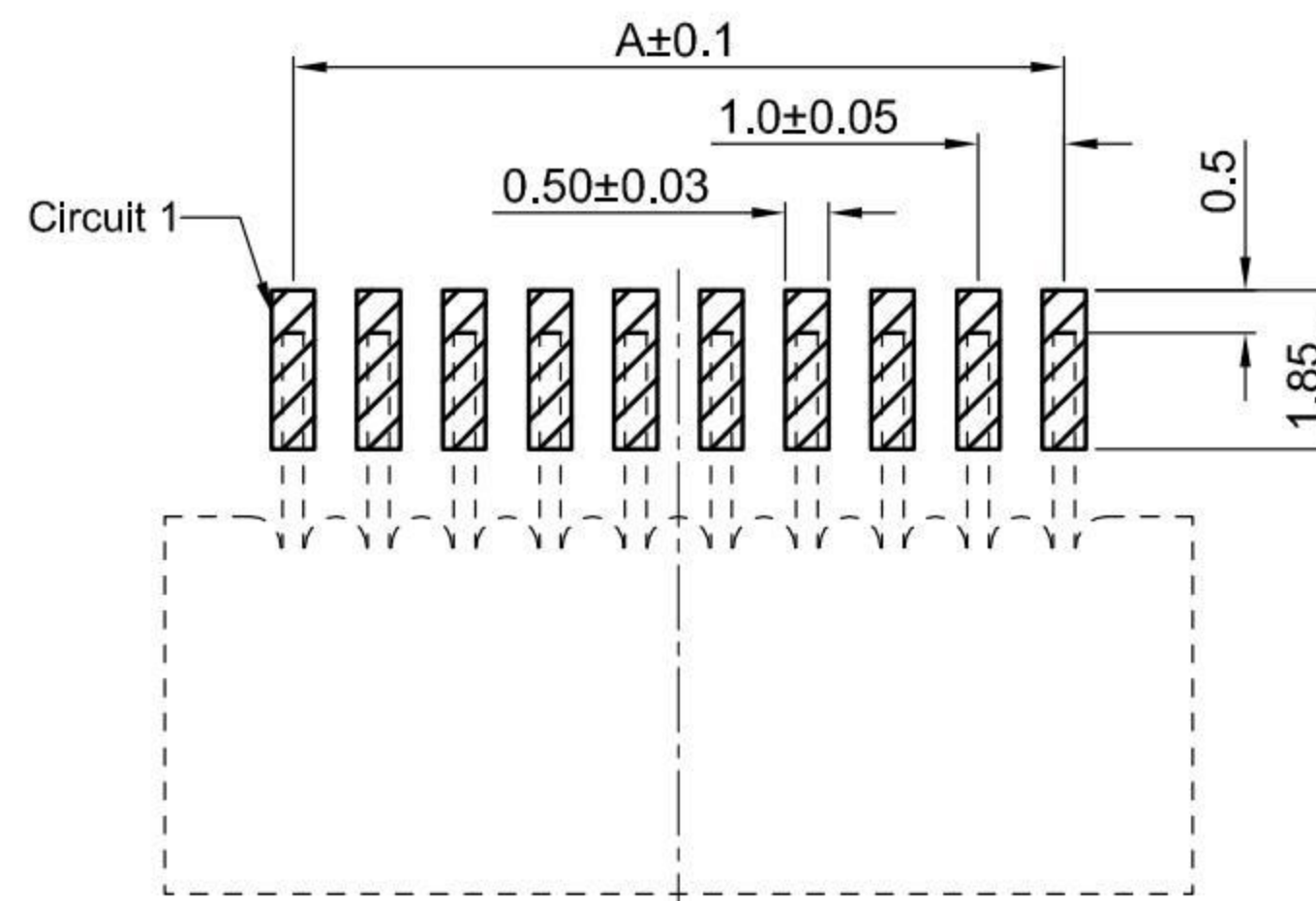
Housing Colour
S-Nature
B-Black

Pin Q' PY
04~34

Height
28-2.85mm



PROPER CABLE (SCALE 2:1)



RECOMMENDED PCB LAYOUT
TOLERANCE:±0.05

Ordering Information:

| Circuit | Dimensions(mm) | | | Circuit | Dimensions(mm) | | |
|---------|----------------|-------|-------|---------|----------------|-------|-------|
| | A | B | C | | A | B | C |
| 04 | 3.00 | 5.10 | 6.00 | 20 | 19.00 | 21.10 | 22.00 |
| 05 | 4.00 | 6.10 | 7.00 | 21 | 20.00 | 22.10 | 23.00 |
| 06 | 5.00 | 7.10 | 8.00 | 22 | 21.00 | 23.10 | 24.00 |
| 07 | 6.00 | 8.10 | 9.00 | 23 | 22.00 | 24.10 | 25.00 |
| 08 | 7.00 | 9.10 | 10.00 | 24 | 23.00 | 25.10 | 26.00 |
| 09 | 8.00 | 10.10 | 11.00 | 25 | 24.00 | 26.10 | 27.00 |
| 10 | 9.00 | 11.10 | 12.00 | 26 | 25.00 | 27.10 | 28.00 |
| 11 | 10.00 | 12.10 | 13.00 | 27 | 26.00 | 28.10 | 29.00 |
| 12 | 11.00 | 13.10 | 14.00 | 28 | 27.00 | 29.10 | 30.00 |
| 13 | 12.00 | 14.10 | 15.00 | 29 | 28.00 | 30.10 | 31.00 |
| 14 | 13.00 | 15.10 | 16.00 | 30 | 29.00 | 31.10 | 32.00 |
| 15 | 14.00 | 16.10 | 17.00 | 31 | 30.00 | 32.10 | 33.00 |
| 16 | 15.00 | 17.10 | 18.00 | 32 | 31.00 | 33.10 | 34.00 |
| 17 | 16.00 | 18.10 | 19.00 | 33 | 32.00 | 34.10 | 35.00 |
| 18 | 17.00 | 19.10 | 20.00 | 34 | 33.00 | 35.10 | 36.00 |
| 19 | 18.00 | 20.10 | 21.00 | --- | --- | --- | --- |

| | | | |
|-----|-----------|-----------------|-----------------|
| 2 | CONTACT | PHOSPHOR BRONZE | BRIGHT Tin |
| 1 | HOUSING | LCP,94V-0 | NATURE OR BLACK |
| NO. | PART NAME | MATERIAL | REMARK |



SCALE: 1:1 UNIT: mm
SIZE: A4

Title: Pitch 1.00mm 90° Right SMT Single Row
Double Sided Welding FPC

Unless otherwise
General Tolerance:
X ±0.40
X.x ±0.30
X.xx ±0.20
X* ±5°
X.x° ±3°

Molde Code: GT-F1009SR28-XXXXX01

| | | | |
|-------|---------|----------|------------|
| DRAWN | CHECKED | APPROVED | DATE |
| Jiang | Hu | Chen | 2021.06.28 |



REV: A0 SHEET: 1/1

X-ON Electronics

Largest Supplier of Electrical and Electronic Components

Click to view similar products for [FFC & FPC Connectors](#) category:

Click to view products by [G-Switch](#) manufacturer:

Other Similar products are found below :

[00-6200-227-022-800](#) [006205250500825+](#) [006205280500825+](#) [FPH-1602G](#) [086222026001800](#) [52610-0675](#) [62674-201121DLF](#) [52746-1671-TR250](#) [10051922-1610EHLF](#) [10051922-2810EHLF](#) [686322124422](#) [XF3M-2915-1B-R100](#) [AYF353125A](#) [AYF530665TA](#) [AYF534065TA](#) [20FLH-RSM1-TB](#) [PCA-7F-25-HL-3-G](#) [207356-1](#) [52807-0430](#) [FFC05011-10SBB114W5M](#) [502250-8027](#) [FH28K-40S-0.5SH](#) [200528-0260](#) [FH28K-10S-0.5SH](#) [501951-1250](#) [X05B20U43T](#) [0.5K-DX-30PWB](#) [DS1020-08-10VBT12](#) [THD0515-34CL-GF](#) [X05A10L28G](#) [ECC2841061EU](#) [1.0K-DHQX-16PWB](#) [1.0K-DHQX-30PWB](#) [1775333-6](#) [10054365-202110ELF](#) [10054365-242110ELF](#) [10054365-282110ELF](#) [10064555-392220HLF](#) [59453-041110EBHLF](#) [59453-091110EDHLF](#) [62674-241141ALF](#) [62684-432100ALF](#) [62684-451100AHLF](#) [62684-5721N0ALF](#) [HFW11R-1STE1MTLF](#) [HFW12R-1STE9LF](#) [HFW14R-1STE9MTLF](#) [HFW18S-2STE9LF](#) [HFW20R-1STAE1HLF](#) [HFW20R-1STE1MTLF](#)