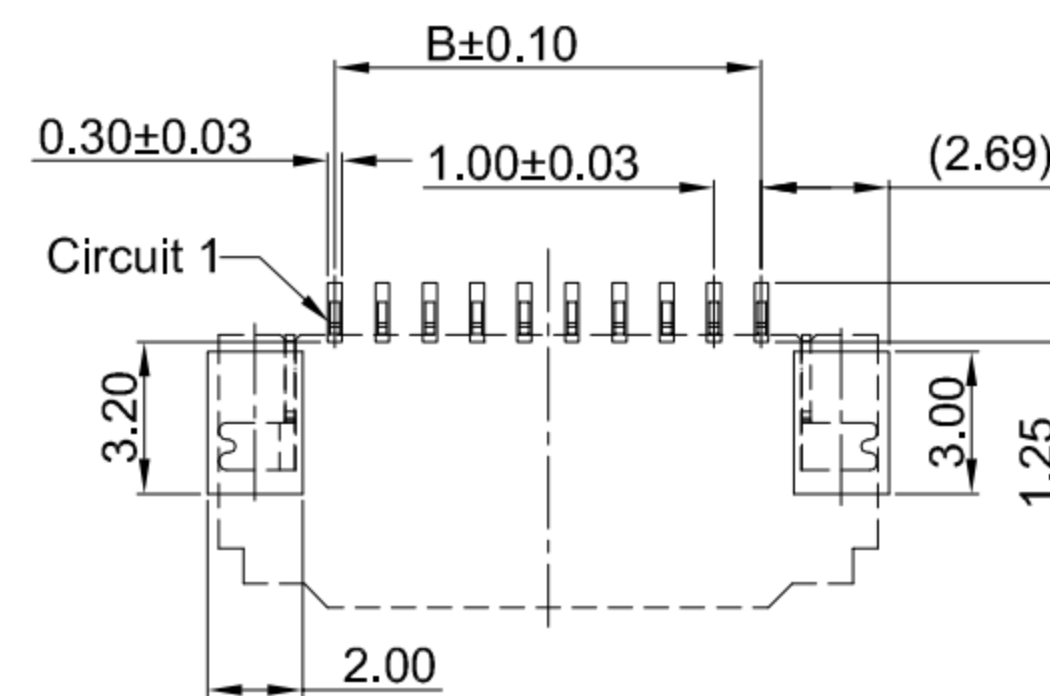
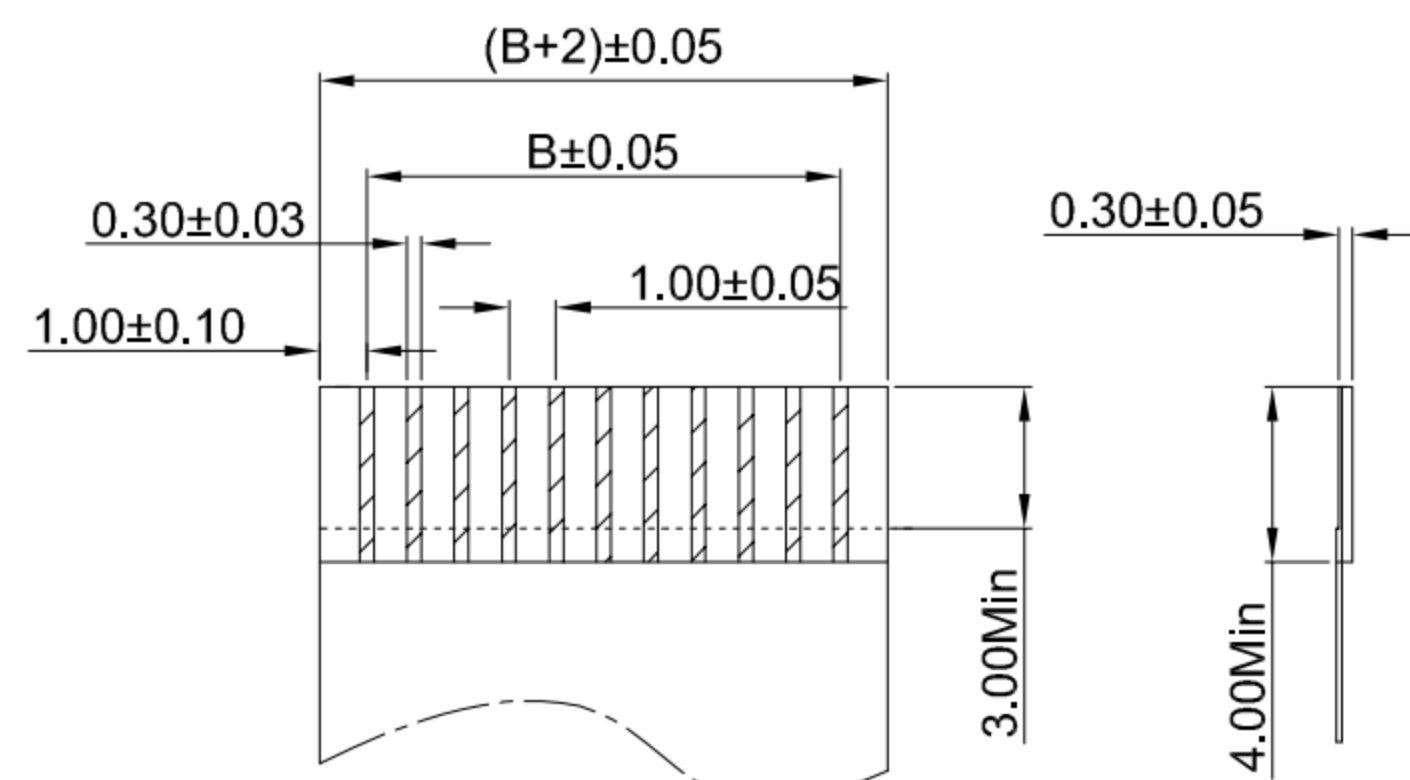
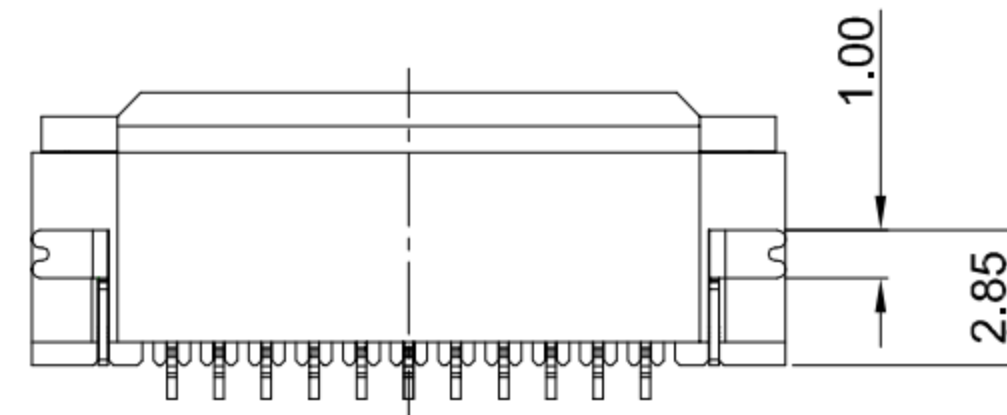
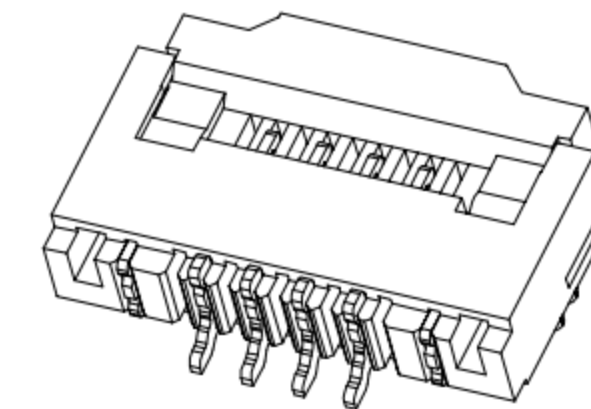
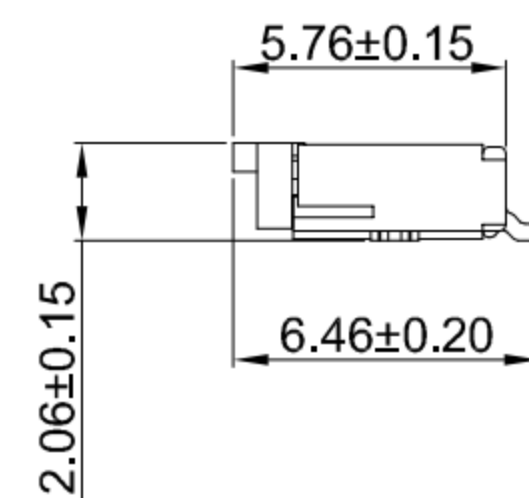


- G-Switch Specification:**
- 1.Current rated: 0.4A AC/DC
 - 2.Voltage rating: 50V AC/DC
 - 3.Withstanding voltage: 200V AC for 1 min
 - 4.Contact resistance: 20mΩ max.
 - 5.Insulation resistance: 50MΩ min
 - 6.Durability cycle: 20Cycles
 - 7.Removal force: 0.04kgf/Pin min
 - 8.Operating temperature range: -25°C ~ +85°C



GT-F1010 S R 20 -XX X XX 01

- G-Switch**
- Series No**
- Termipoint**
S-SMT
- Angle**
R-90°
- Terminal Plating**
MT-Matte Tin
11-All G/F
- Housing Colour**
S-Nature
- Pin Q' PY**
03~32
- Height**
20-2.06mm



Ordering Information:

Circuit	Dimension				Circuit	Dimension			
	A	B	C	D		A	B	C	D
03	7.90	2.00	7.50	4.10	18	22.90	17.00	22.50	19.10
04	8.90	3.00	8.50	5.10	19	23.90	18.00	23.50	20.10
05	9.90	4.00	9.50	6.10	20	24.90	19.00	24.50	21.10
06	10.90	5.00	10.50	7.10	21	25.90	20.00	25.50	22.10
07	11.90	6.00	11.50	8.10	22	26.90	21.00	26.50	23.10
08	12.90	7.00	12.50	9.10	23	27.90	22.00	27.50	24.10
09	13.90	8.00	13.50	10.10	24	28.90	23.00	28.50	25.10
10	14.90	9.00	14.50	11.10	25	29.90	24.00	29.50	26.10
11	15.90	10.00	15.50	12.10	26	30.90	25.00	30.50	27.10
12	16.90	11.00	16.50	13.10	27	31.90	26.00	31.50	28.10
13	17.90	12.00	17.50	14.10	28	32.90	27.00	32.50	29.10
14	18.90	13.00	18.50	15.10	29	33.90	28.00	33.50	30.10
15	19.90	14.00	19.50	16.10	30	34.90	29.00	34.50	31.10
16	20.90	15.00	20.50	17.10	31	35.90	30.00	35.50	32.10
17	21.90	16.00	21.50	18.10	32	36.90	31.00	36.50	33.10

4	SOLDER TABS	BRASS	MATTE Tin
3	CONTACT	PHOSPHOR BRONZE	MATTE Tin OR ALLG/F
2	COVER	LCP,94V-0	BLACK
1	HOUSING	LCP,94V-0	NATURE
NO.	PART NAME	MATERIAL	REMARK



SCALE: 1:1 UNIT: mm
 SIZE: A4

Title: FPC 1.00mm Pitch 90° H2.0mm SMT Type Connector

Unless otherwise General Tolerance:
 X ±0.40
 X.x ±0.30
 X.xx ±0.20
 X* ±5°
 X.x° ±3°

Molde Code: GT-F1010SR20-XXXXX01

DRAWN	CHECKED	APPROVED	DATE
Jiang	Hu	Chen	2021.06.28



REV: A0 SHEET: 1/1

X-ON Electronics

Largest Supplier of Electrical and Electronic Components

Click to view similar products for [FFC & FPC Connectors](#) category:

Click to view products by [G-Switch](#) manufacturer:

Other Similar products are found below :

[00-6200-227-022-800](#) [006205250500825+](#) [006205280500825+](#) [FPH-1602G](#) [086222026001800](#) [52610-0675](#) [62674-201121DLF](#) [52746-1671-TR250](#) [10051922-1610EHLF](#) [10051922-2810EHLF](#) [686322124422](#) [XF3M-2915-1B-R100](#) [AYF353125A](#) [AYF530665TA](#) [AYF534065TA](#) [20FLH-RSM1-TB](#) [PCA-7F-25-HL-3-G](#) [207356-1](#) [52807-0430](#) [FFC05011-10SBB114W5M](#) [502250-8027](#) [FH28K-40S-0.5SH](#) [200528-0260](#) [FH28K-10S-0.5SH](#) [501951-1250](#) [X05B20U43T](#) [0.5K-DX-30PWB](#) [DS1020-08-10VBT12](#) [THD0515-34CL-GF](#) [X05A10L28G](#) [ECC2841061EU](#) [20539-030E-01](#) [1.0K-DHQX-16PWB](#) [1.0K-DHQX-30PWB](#) [1775333-6](#) [10054365-202110ELF](#) [10054365-242110ELF](#) [10054365-282110ELF](#) [10064555-392220HLF](#) [59453-041110EBHLF](#) [59453-091110EDHLF](#) [62674-241141ALF](#) [62684-432100ALF](#) [62684-451100AHLF](#) [62684-5721N0ALF](#) [HFW11R-1STE1MTLF](#) [HFW12R-1STE9LF](#) [HFW14R-1STE9MTLF](#) [HFW18S-2STE9LF](#) [HFW20R-1STAE1HLF](#)