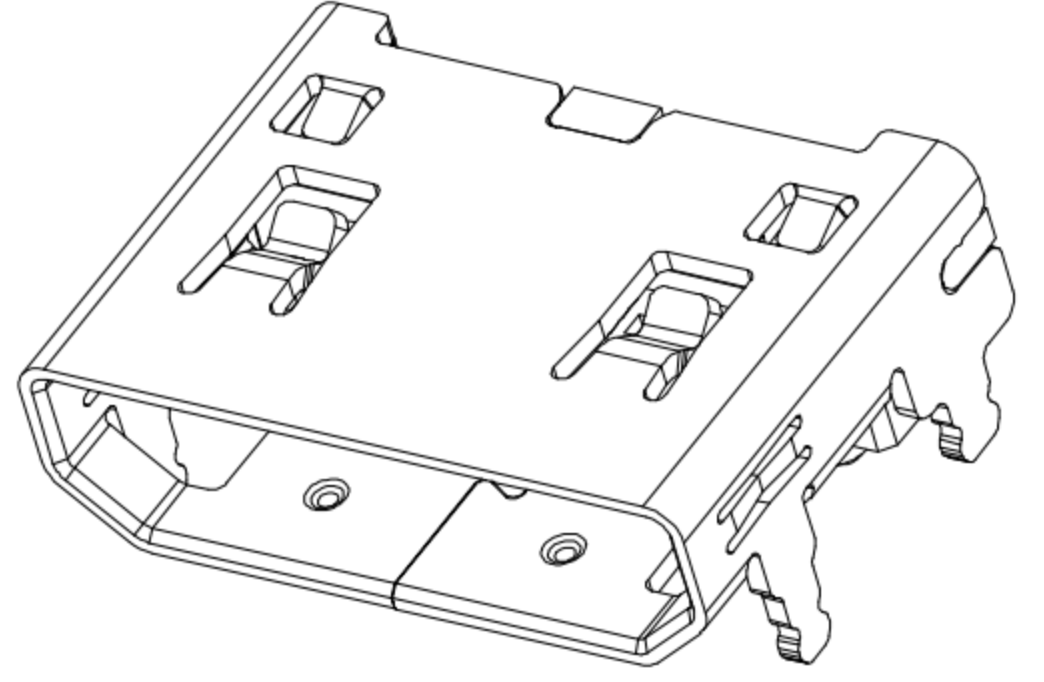
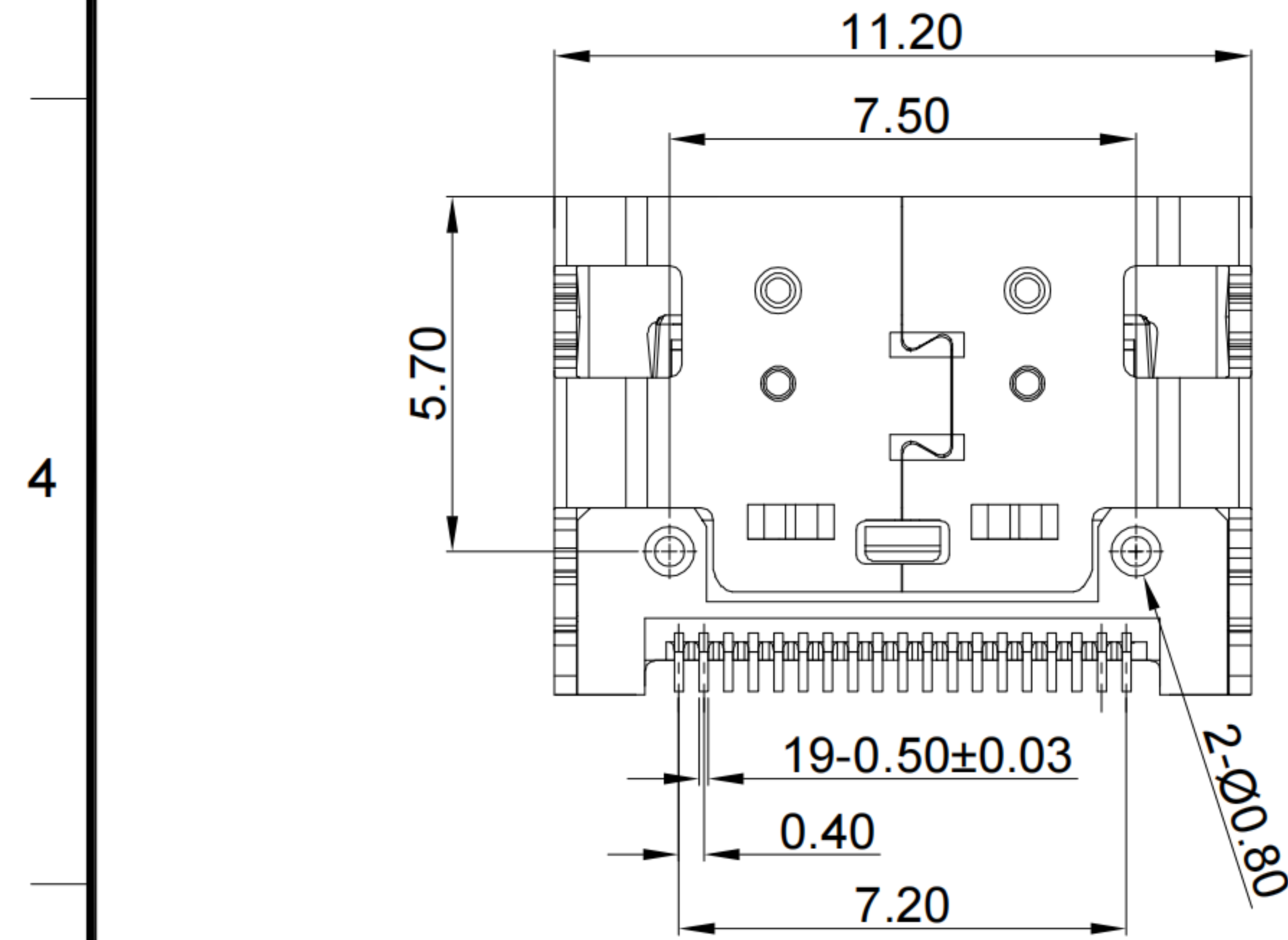
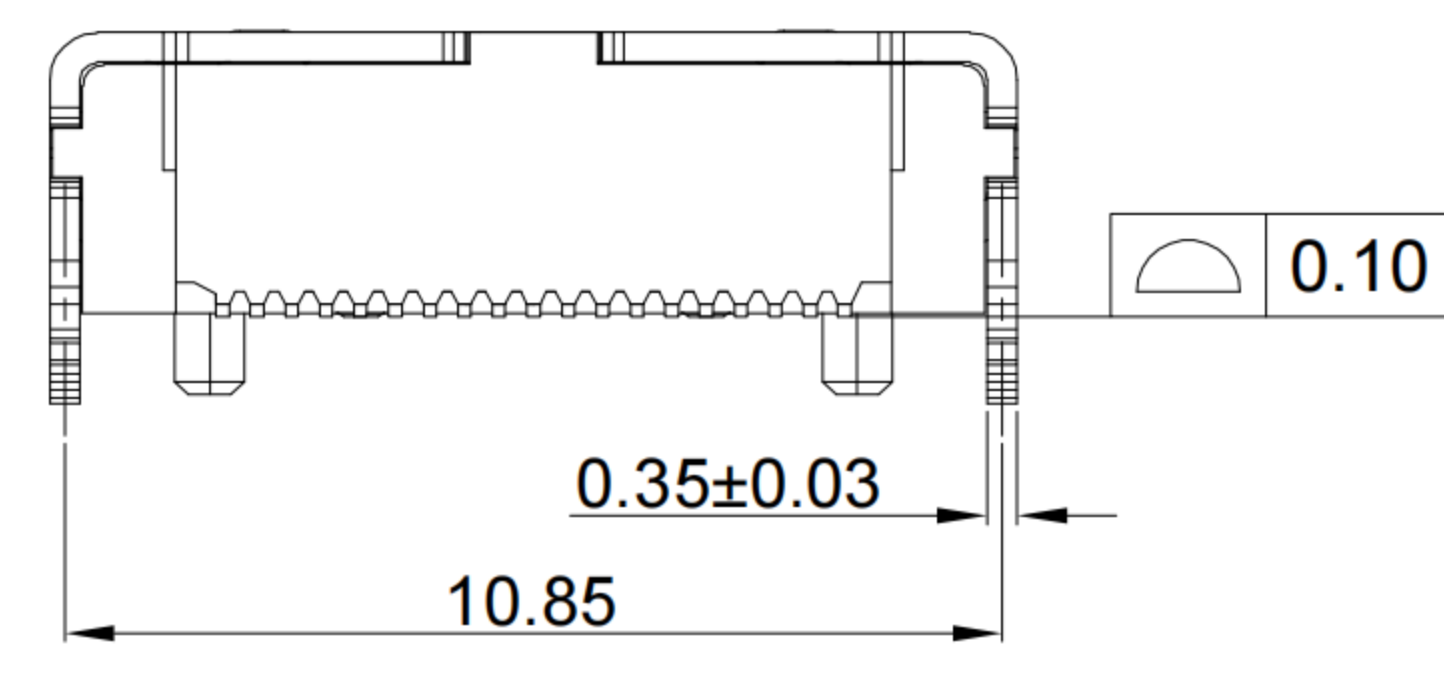
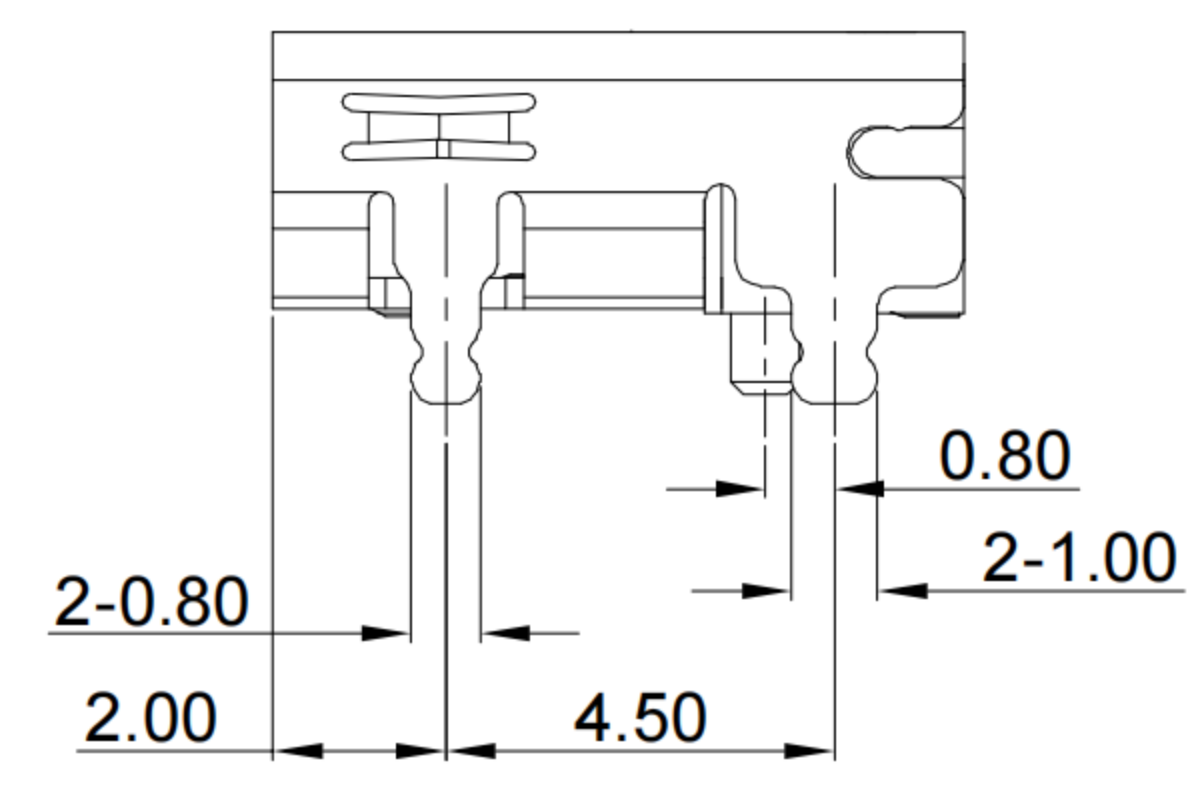
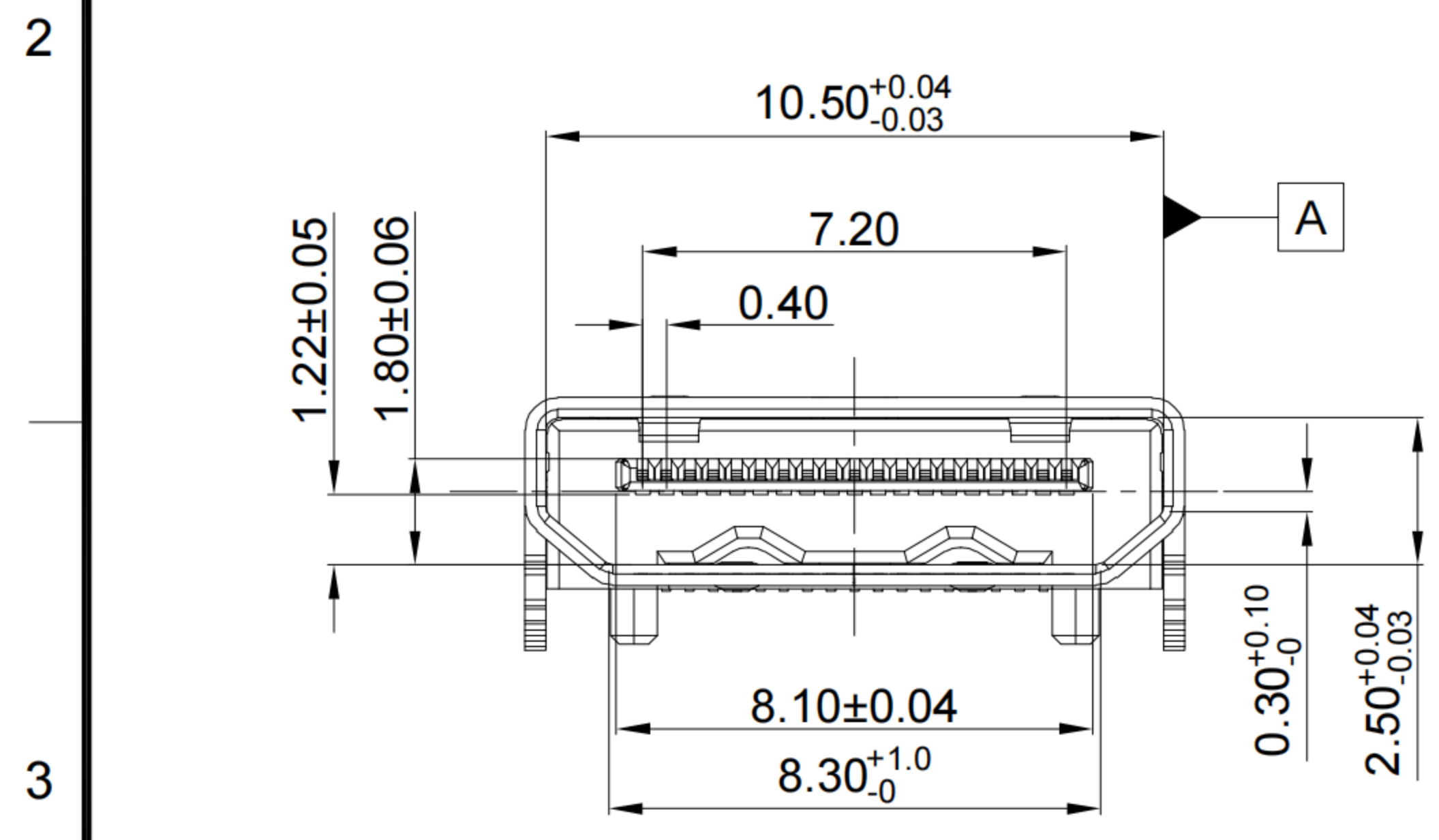


# GT-HD005A-X X X GX

- DETAIL**  
 A=19pin CF  
 Insert front and stick back with column
- Shell Material**  
 C=Copper alloy  
 F=Ferroalloy  
 S=Stainless
- Shell Plating**  
 N=Ni  
 G=Gold
- Housing Colour**  
 N=Black
- Terminal Plating**  
 G0=G/F  
 G1=1u  
 G3=3u  
 G15=15u  
 G30=30u

- G-Switch HDMI Specification:**
- 1.Current rated: 1.0A Voltage rating: 24V AC
  - 2.Withstanding voltage: 500V AC/minute
  - 3.Contact resistance: 30mΩ Max
  - 4.Insulation resistance: 100MΩ Min
  - 5.Operating temperature: -55°C ~ +105°C
  - 6.Mating force: 44.1N
  - 7.Unmating force: 9.8N~39.2N,After durability: 3N~25N
  - 8.Durability cycle:10,000 cycles



1	SHELL	COPPER ALLOY	Au PLATING ON CONTACT AREA
2	HOUSING	HIGH TEMPERATURE PLASTIC	LCP BLACK UL 94 V-0
3	TERMINALS	COPPER ALLOY	--
NO.	PARTS	MATERIAL	REMARKS



SCALE: 1:1	UNIT: mm	Title: Horizontal HDMI 19P Female SMT CH=1.95 L=8.00mm	
SIZE: A4		Title: Horizontal HDMI 19P Female SMT CH=1.95 L=8.00mm	
Unless otherwise General Tolerance:		Title: Horizontal HDMI 19P Female SMT CH=1.95 L=8.00mm	
X.	±0.35	Title: Horizontal HDMI 19P Female SMT CH=1.95 L=8.00mm	
X.x	±0.25	Title: Horizontal HDMI 19P Female SMT CH=1.95 L=8.00mm	
X.xx	±0.15	Title: Horizontal HDMI 19P Female SMT CH=1.95 L=8.00mm	
X°	±2°	Title: Horizontal HDMI 19P Female SMT CH=1.95 L=8.00mm	
Title: Horizontal HDMI 19P Female SMT CH=1.95 L=8.00mm		Title: Horizontal HDMI 19P Female SMT CH=1.95 L=8.00mm	
Title: Horizontal HDMI 19P Female SMT CH=1.95 L=8.00mm		Title: Horizontal HDMI 19P Female SMT CH=1.95 L=8.00mm	
Title: Horizontal HDMI 19P Female SMT CH=1.95 L=8.00mm		Title: Horizontal HDMI 19P Female SMT CH=1.95 L=8.00mm	
Title: Horizontal HDMI 19P Female SMT CH=1.95 L=8.00mm		Title: Horizontal HDMI 19P Female SMT CH=1.95 L=8.00mm	



REV: A0 SHEET: 1/1

## X-ON Electronics

Largest Supplier of Electrical and Electronic Components

*Click to view similar products for [HDMI, Displayport & DVI Connectors](#) category:*

*Click to view products by [G-Switch](#) manufacturer:*

Other Similar products are found below :

[30-528](#) [30-504](#) [33DVIR-24S1B](#) [47648-2000](#) [TC142X](#) [HAGBH](#) [AABII](#) [AAIBG](#) [AAIBH](#) [AANBG](#) [52355](#) [XHLJQ-00026](#) [HDMI-019R](#)  
[G46M2013201AWEU](#) [ST-0277D00-052-142](#) [PJ-399M](#) [PJ-615-5A](#) [HDMI-S-125-D](#) [PJ-359](#) [PJ-3850-5A](#) [PJ-3250D-5A](#) [KH-PJ-359](#) [HDMI-](#)  
[005-ARSW-L116](#) [58490](#) [DS-45404](#) [HD0039](#) [60616](#) [AAMBJ](#) [61275](#) [61297](#) [KABHD OEM-40](#) [61293](#) [50355](#) [AK-330115-010-S](#) [AK-](#)  
[330101-002-S](#) [AHCBI](#) [AK-330127-300-S](#) [CG526-B-3.0](#) [64866](#) [CG525-R-1.8](#) [61296](#) [CG865-3](#) [CG517-3.0](#) [EAEBD](#) [65262](#) [DB-340305-018-](#)  
[S](#) [DS-55521](#) [ALGLI](#) [61274](#) [KABHD OEM-35](#)