

## GT-TB092X-HXXX-LX

**G-SWITCH**

**Operating Force**

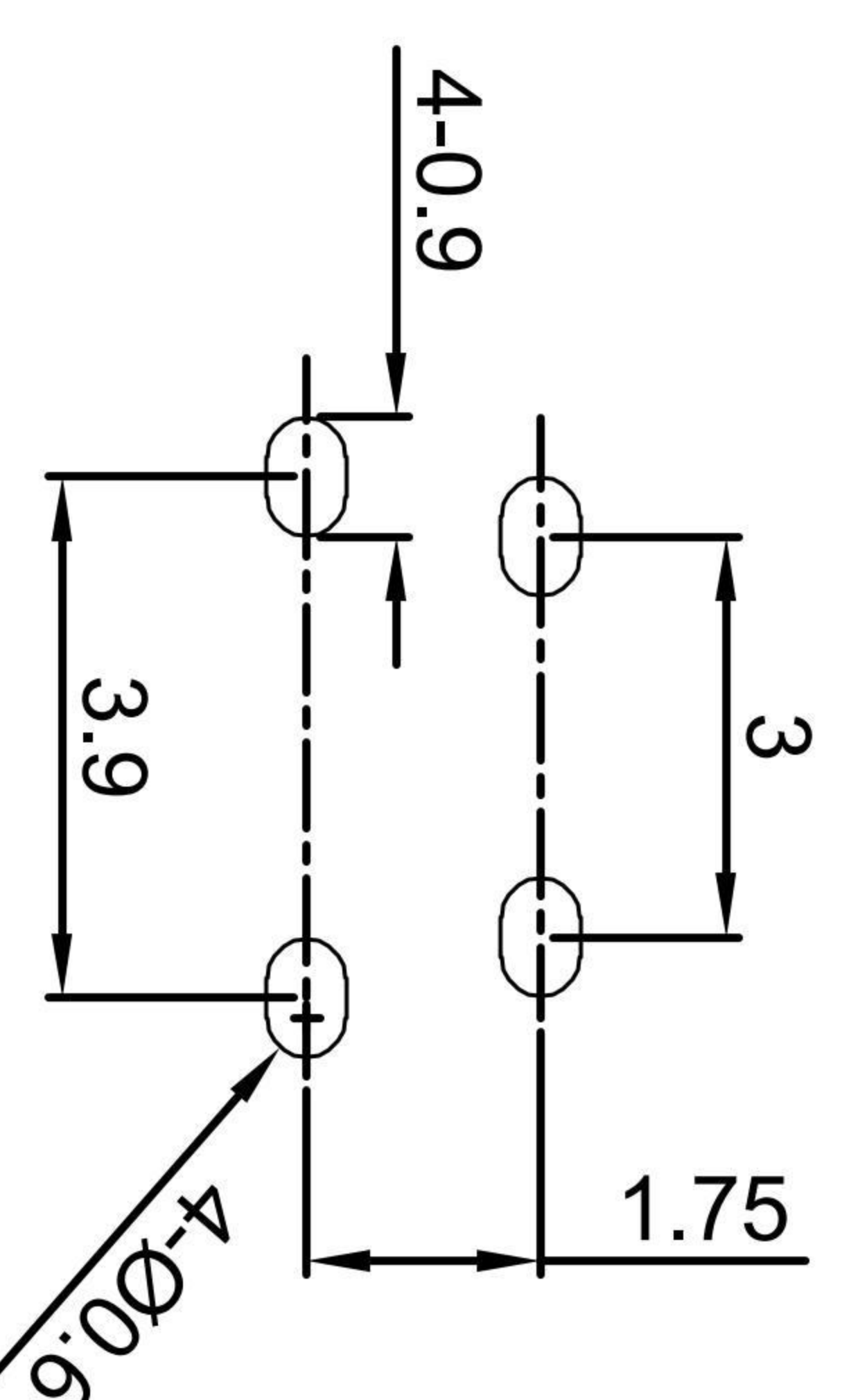
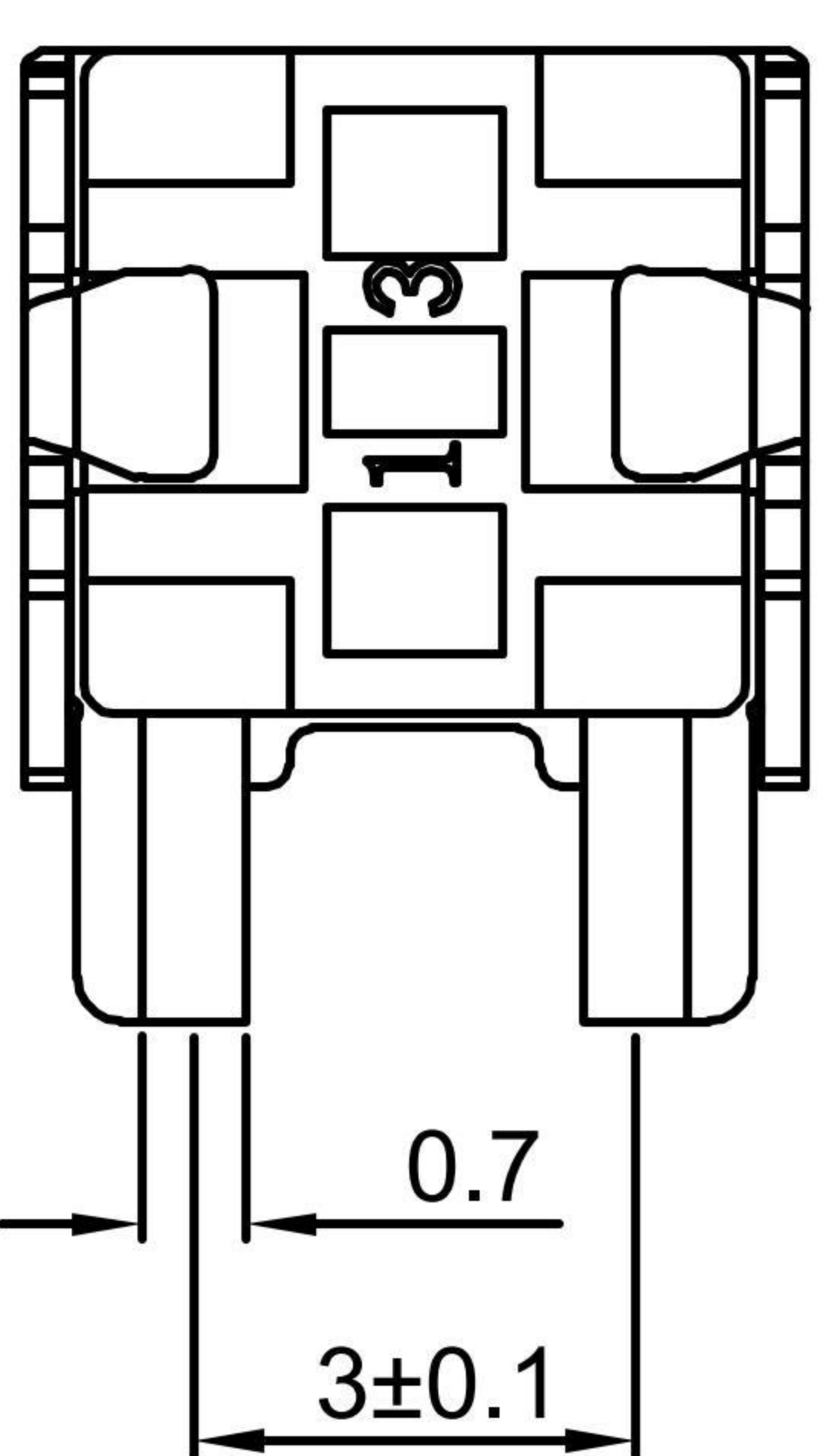
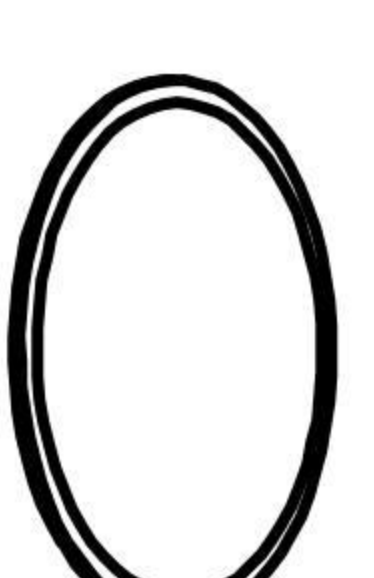
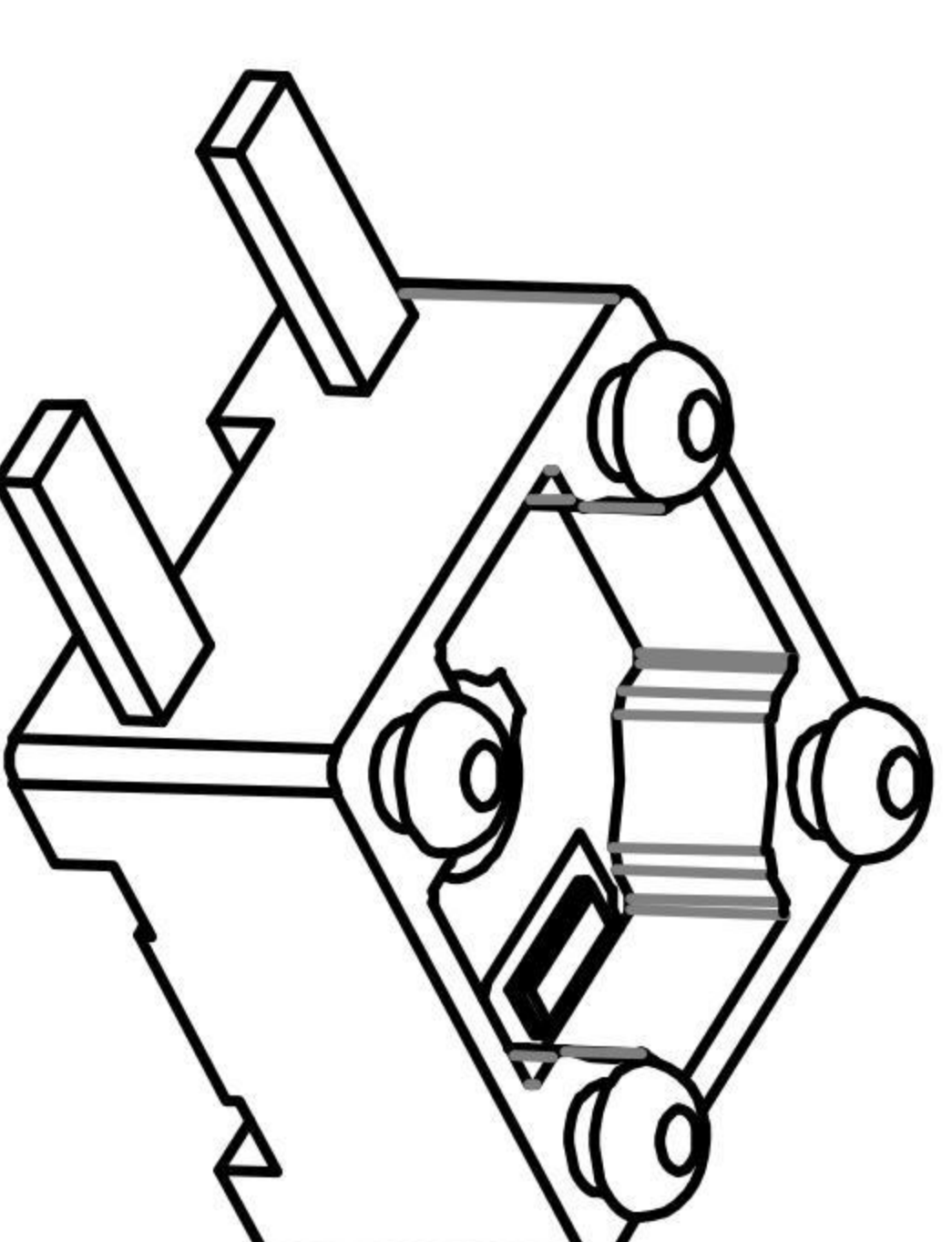
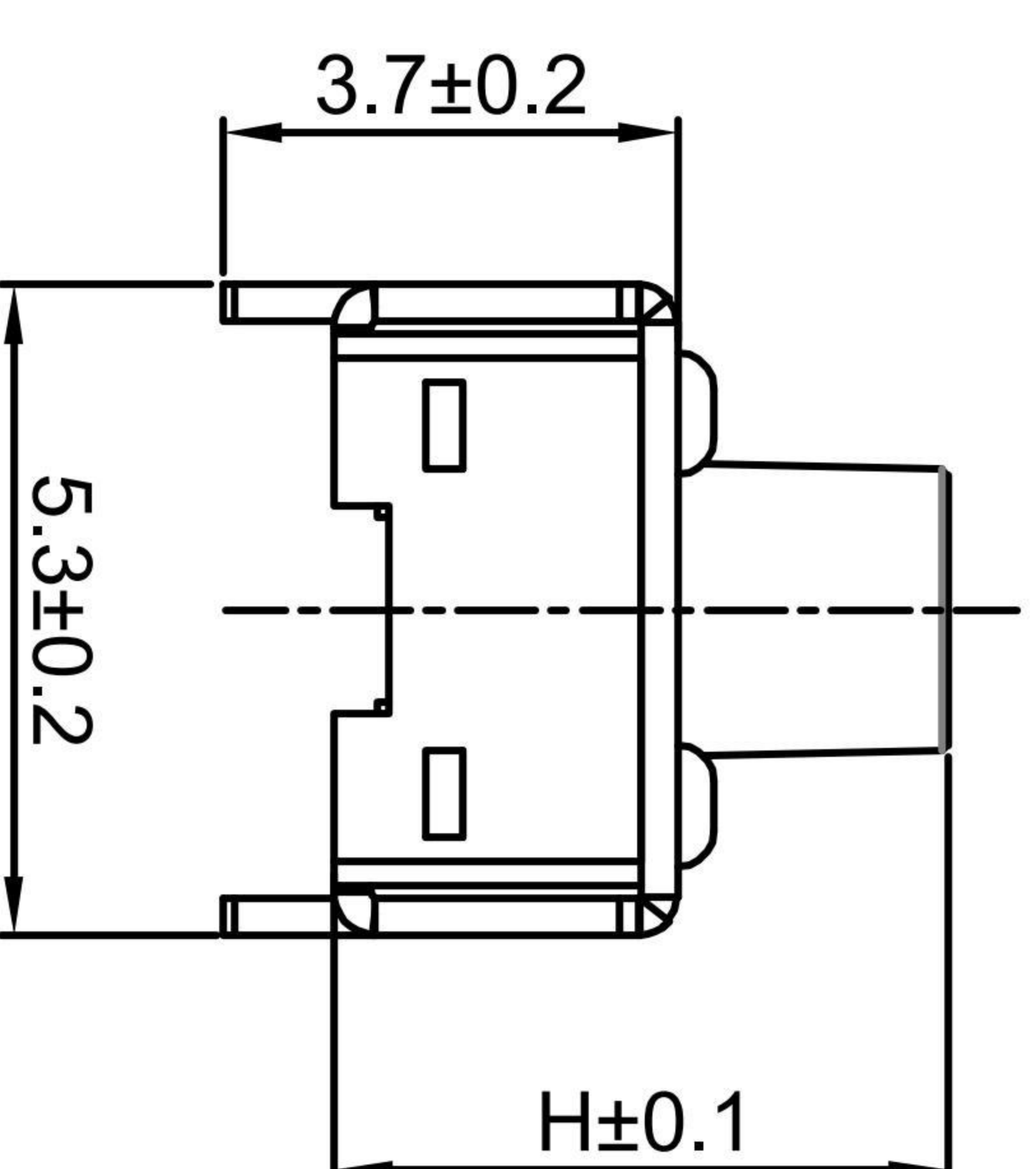
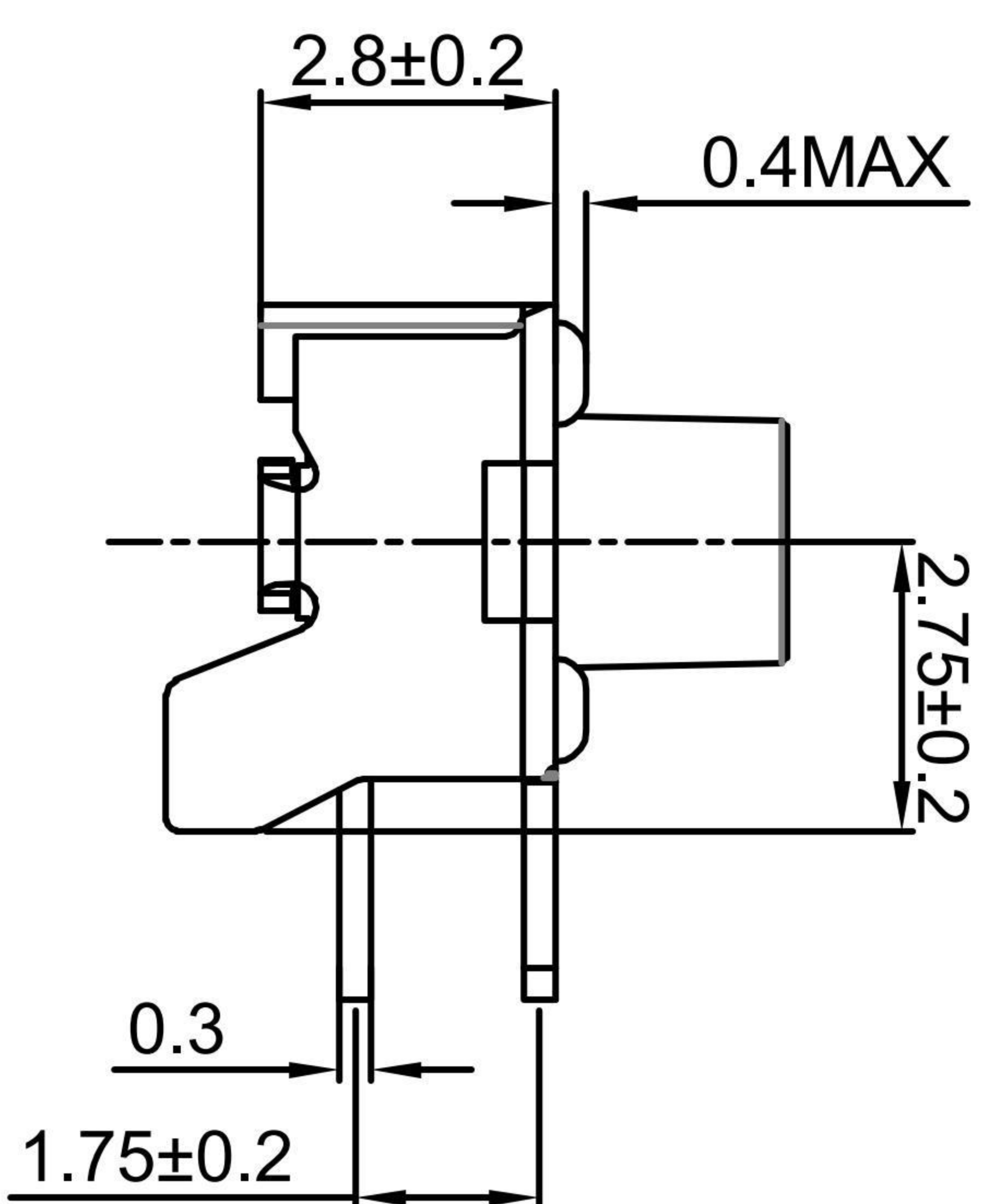
A=160gf  
B=250gf  
C=100gf

**Switch Height**

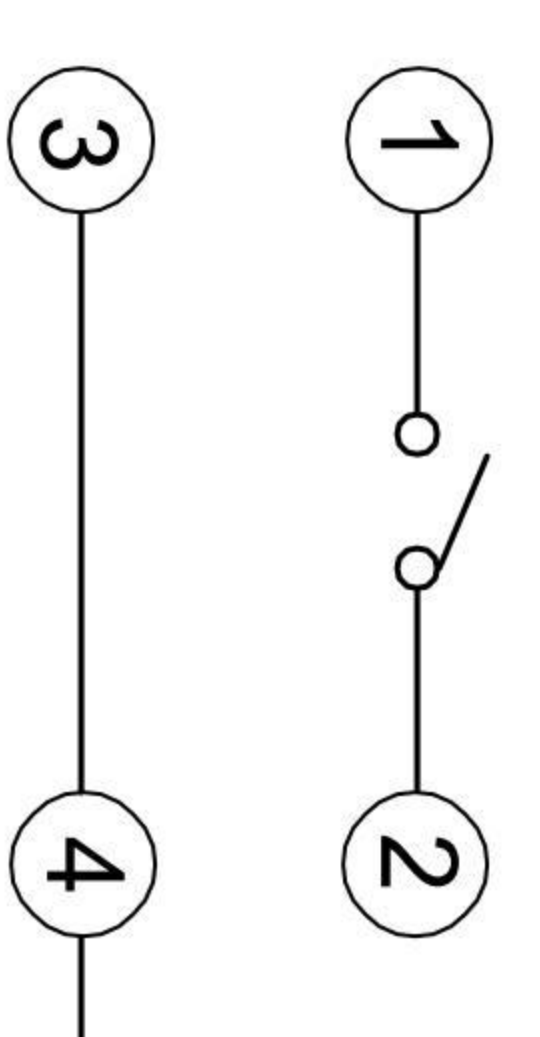
H038=3.8 H043=4.3  
H050=5.0 H055=5.5  
H060=6.0 H065=6.5  
H070=7.0 H075=7.5  
H080=8.0 H085=8.5  
H090=9.0 H095=9.5  
H100=10.0 H105=10.5  
H110=11.0mm

**Switch Lifetime (Force)**

L1=100,000 Cycles  
L3=300,000 Cycles



**RECOMMENDED PCB LAYOUT**

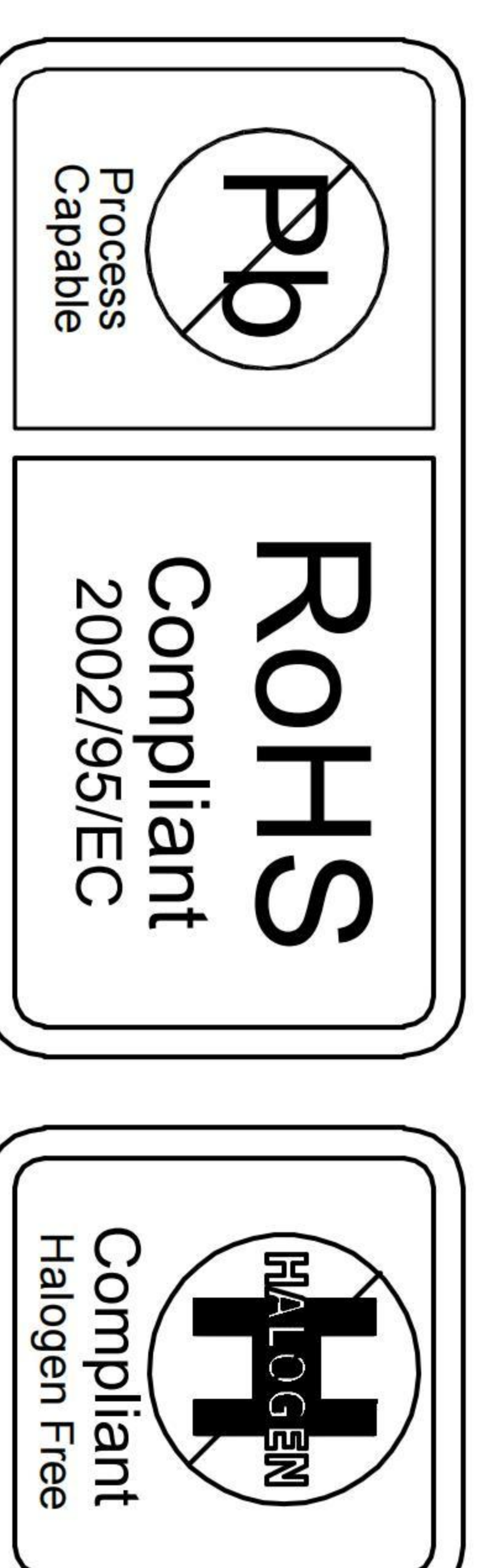


**CIRCUIT DIAGRAM**

### G-Switch Specification:

1. Operating temperature range: -40°C ~ +85°C
2. Rating: 50mA, 12V DC
3. Insulation resistance: 100MΩ min, 100V DC
4. Dielectric strength: 250V AC for 1 min
5. Contact resistance: 100mΩ max.
6. Travel: 0.2±0.05mm

|     |           |                          |             |
|-----|-----------|--------------------------|-------------|
| 1   | STEM      | HIGH TEMPERATURE PLASTIC | BLACK       |
| 2   | SUPPORT   | STAINLESS STEEL          | Tin PLATING |
| 3   | REED      | STAINLESS STEEL          | Ag PLATING  |
| 4   | CASE      | HIGH TEMPERATURE PLASTIC | BLACK       |
| 5   | TERMINAL  | COPPER ALLOY             | Ag PLATING  |
| NO. | PART NAME | MATERIAL                 | REMARK      |



|                                     |          |                                   |
|-------------------------------------|----------|-----------------------------------|
| SCALE: 1:1                          | UNIT: mm | Title: Horizontal Tact Switch DIP |
| SIZE: A4                            |          | Mold Code: GT-TB092X-HXXX-LX      |
| Unless otherwise General Tolerance: |          | DRAWN: Xia                        |
| X                                   | +0.30    | CHECKED: Chen                     |
| X X                                 | +0.20    | APPROVED: Chen                    |
| X XX                                | +0.15    | DATE: 2023.02.01                  |
| X XXX                               | +0.10    |                                   |
| X XXXX                              | +3°      |                                   |
| Angles                              |          |                                   |



REV: A0 SHEET: 1/1

A B C D E

## X-ON Electronics

Largest Supplier of Electrical and Electronic Components

*Click to view similar products for [Tactile Switches](#) category:*

*Click to view products by [G-Switch](#) manufacturer:*

Other Similar products are found below :

[5GTH92001](#) [5GTH9202242](#) [6407-250V-25273P](#) [ADTSA62NV](#) [ADTSA62RV](#) [B3F-3123](#) [1977177-8](#) [1977266-1](#) [ADTSA63NV](#)  
[ADTSM21NSVTR](#) [ADTSM25RVTR](#) [ADTSM32NVTR](#) [ADTSMW64RV](#) [FSMRA4JHA04](#) [GS4.70F300QP](#) [KSC241J SP DELTA LFS](#)  
[3FTL600RAS](#) [3FTL640RAS](#) [Y96K132V0FPLFS](#) [5GTH9658222](#) [6407-250V-25343P](#) [ADTSM31NVTR](#) [2-1977120-7](#) [TSJW-5.2-260-TR](#)  
[KMT011MNGJLHS](#) [B3WN6002S](#) [70-201.0](#) [ADTSG648NV](#) [ADTSM62KSVTR](#) [ADTSM648NV](#) [95C06E3RAT](#) [5GTH96561](#) [3ATH9Q](#)  
[FSMRA8JHA04](#) [HARS0073](#) [Y97HS12A5RAFP](#) [Y97BT23B2HAFP](#) [Y33R411N9FPLFT](#) [Y31C01402FPLFS](#) [PTS645SK50SMTR92](#)  
[ADTSM32NVB](#) [KMS233GPWTLFG](#) [Y78B64124FP](#) [PTS638SK25SMTR2LFS](#) [Y96D113G0FP LFS](#) [Y33A812C5FP LFT](#) [Y56B2D120FP](#)  
[LFS](#) [PTS645 DVM83-BN125-2 LFS](#) [B3W 1000G](#) [KSC621G OL LFS](#)