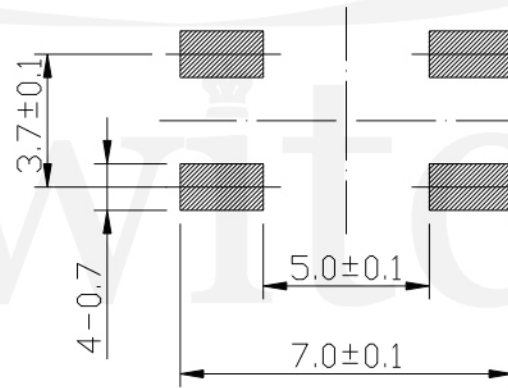
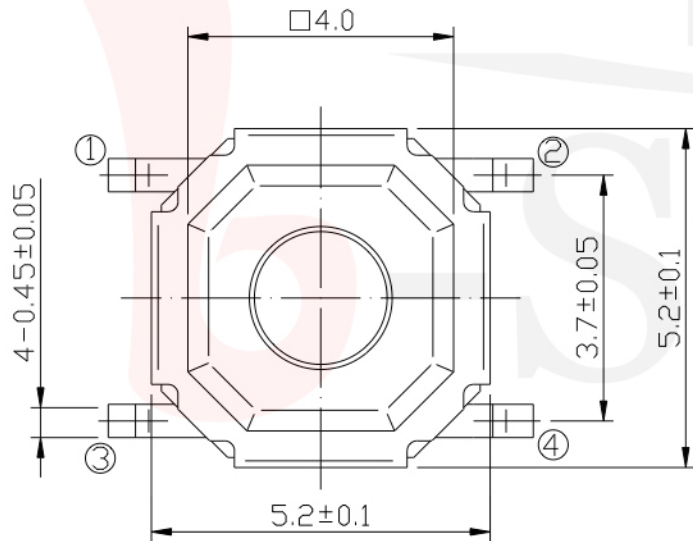


REFERENCE DRAWING



GT-TC084X-HXXX-LX



P.C.B LAND DIMENSION

G-SWITCH



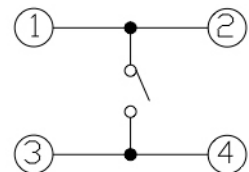
**Operating Force**  
 A=160gf  
 B=250gf  
 C=100gf  
 E=130gf

**Switch Height (mm)**  
 H015=1.5 H016=1.6  
 H017=1.7 H020=2.0  
 H025=2.5 H030=3.0  
 H035=3.5 H040=4.0  
 H045=4.5 H050=5.0

**Switch lifetime (Force)**  
 L1=100,000 Cycles  
 L3=300,000 Cycles  
 L5=500,000 Cycles  
 L10=1,000,000 Cycles

**G-Switch Specification:**

Operating temperature range : -30°Cto+85°C  
 Rating : 50mA.12V DC  
 Insulation resistance : 100MΩ min.100V DC  
 Dielectric strength : 250V AC for 1 min  
 Contact resistance : 100m Ω max.  
 Travel:0.25±0.1mm



CIRCUIT DIAGRAM

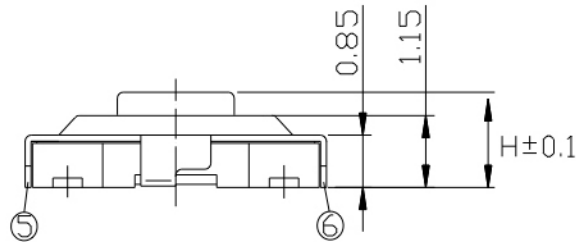
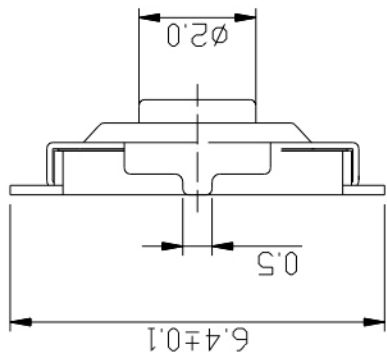


G-Switch Electronic (HongKong) CO.,Ltd.

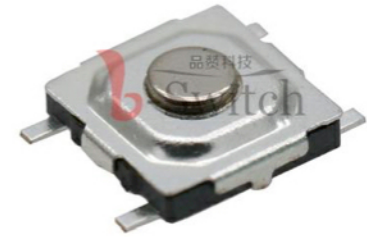
Unless otherwise specified, Tolerance:  
 X. ±0.30  
 X.x ±0.20  
 X.xx ±0.15  
 X.xxx ±0.10  
 Angles ±3°

DESIGN FengFengChen DATE 2019.05.29  
 CHECKED DATE  
 APPROVED DATE  
<http://www.dg-switch.com>  
 TEL:0769-82388879

Molde code:  
 GT-TC084X-HXXX-LX  
 REV.: X1 SCALE: 4:1 UNIT: mm  
 SIZE: A4 SHEET: 1/1



REFERENCE DRAWING



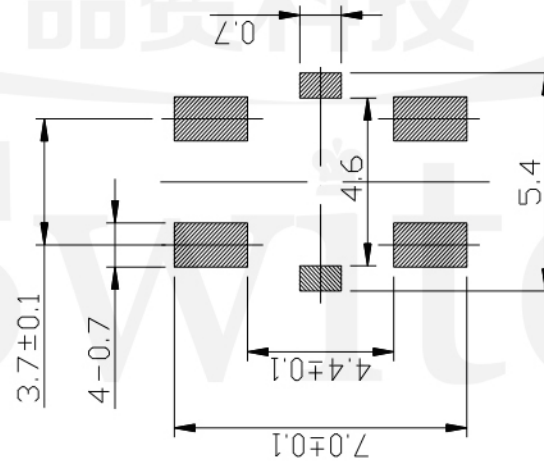
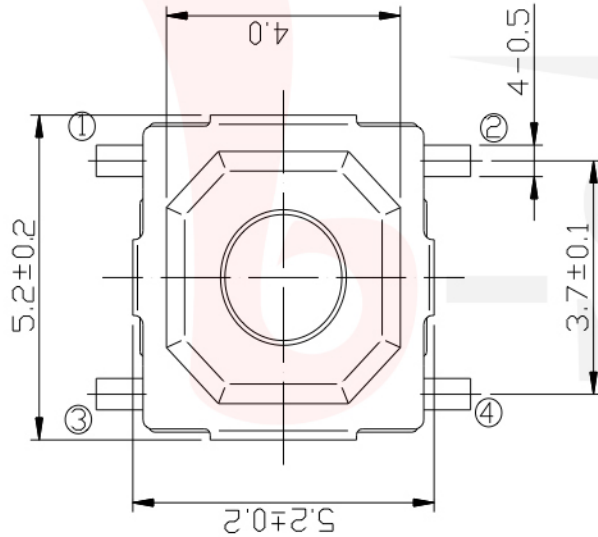
GT-TCA84X-HXXX-LX

G-SWITCH

**Operating Force**  
 A=160gf  
 B=250gf  
 C=100gf  
 E=130gf

**Switch Height (mm)**  
 H015=1.5 H016=1.6  
 H017=1.7 H020=2.0  
 H025=2.5 H030=3.0  
 H035=3.5 H040=4.0  
 H045=4.5 H050=5.0

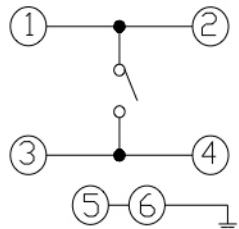
**Switch lifetime (Force)**  
 L1=100,000 Cycles  
 L3=300,000 Cycles  
 L5=500,000 Cycles  
 L10=1,000,000 Cycles



P.C.B LAND DIMENSION

**G-Switch Specification:**

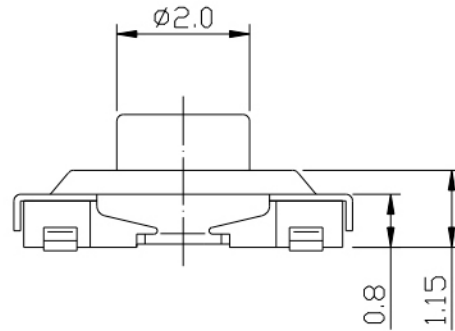
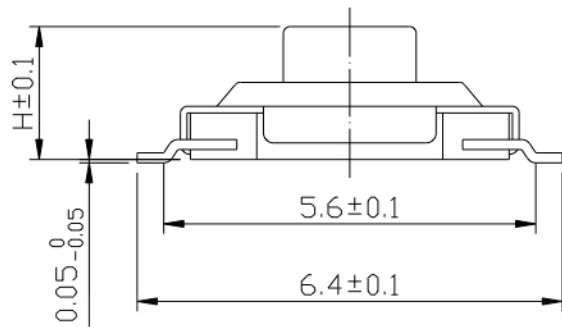
Operating temperature range : -30°C to +85°C  
 Rating : 50mA, 12V DC  
 Insulation resistance : 100MΩ min. 100V DC  
 Dielectric strength : 250V AC for 1 min  
 Contact resistance : 100m Ω max.  
 Travel: 0.25±0.1mm



CIRCUIT DIAGRAM



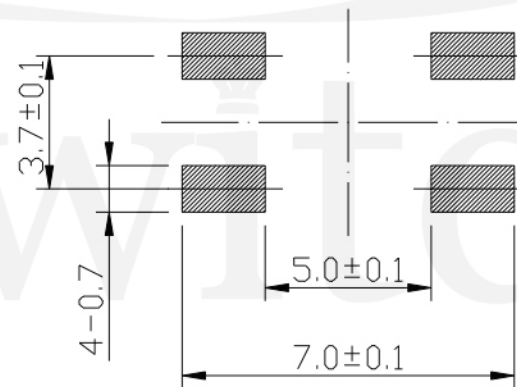
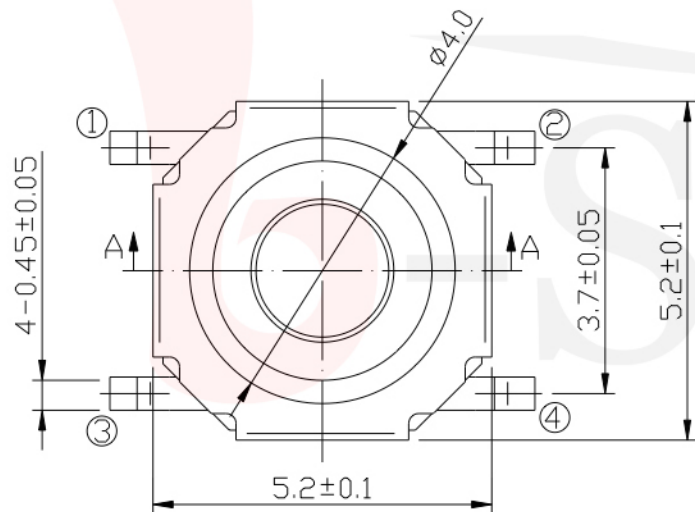
|  |   |   |                                  |
|--|---|---|----------------------------------|
|  | G-Switch Electronic (HongKong) CO.,Ltd  |   |                                  |
|  | Unless otherwise specified, Tolerance:<br>X.           ±0.30<br>X.x         ±0.20<br>X.xx       ±0.15<br>X.xxx      ±0.10<br>Angles     ±3° | DESIGN 陈锋枫   DATE 2019.05.29<br>CHECKED           DATE<br>APPROVED         DATE | Molde code:<br>GT-TCA84X-HXXX-LX |
| <a href="http://www.dg-switch.com">http://www.dg-switch.com</a><br>TEL:0769-82388879 | <a href="http://www.dg-switch.com">http://www.dg-switch.com</a>   | REV.: X1   SCALE: 4:1   UNIT: mm<br>SIZE: A4   SHEET: 1/1                       |                                  |



REFERENCE DRAWING



GT-TCB84X-HXXX-LX



P.C.B LAND DIMENSION

G-SWITCH

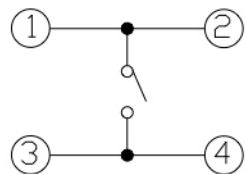
**Operating Force**  
 A=160gf  
 B=250gf  
 C=100gf  
 E=130gf

**Switch Height (mm)**  
 H015=1.5 H016=1.6  
 H017=1.7 H020=2.0  
 H025=2.5 H030=3.0  
 H035=3.5 H040=4.0  
 H045=4.5 H050=5.0

**Switch lifetime (Force)**  
 L1=100,000 Cycles  
 L3=300,000 Cycles  
 L5=500,000 Cycles  
 L10=1,000,000 Cycles

**G-Switch Specification:**

Operating temperature range : -30°Cto+85°C  
 Rating : 50mA.12V DC  
 Insulation resistance : 100MΩ min.100V DC  
 Dielectric strength : 250V AC for 1 min  
 Contact resistance : 100m Ω max.  
 Travel:0.25±0.1mm



CIRCUIT DIAGRAM



G-Switch Electronic (HongKong) CO.,Ltd.

Unless otherwise specified, Tolerance:  
 X. ±0.30  
 X.x ±0.20  
 X.xx ±0.15  
 X.xxx ±0.10  
 Angles ±3°

DESIGN FengFengChen DATE 2019.05.29  
 CHECKED DATE  
 APPROVED DATE  
<http://www.dg-switch.com>  
 TEL:0769-82388879

Molde code:  
 GT-TCB84X-HXXX-LX  
 REV.: X1 SCALE: 4:1 UNIT: mm  
 SIZE: A4 SHEET: 1/1

## X-ON Electronics

Largest Supplier of Electrical and Electronic Components

*Click to view similar products for [Tactile Switches](#) category:*

*Click to view products by [G-Switch](#) manufacturer:*

Other Similar products are found below :

[5GTH92001](#) [5GTH9202242](#) [ADTSA62NV](#) [ADTSA62RV](#) [B3F-3123](#) [1977177-8](#) [1977266-1](#) [ADTSA63NV](#) [ADTSM21NSVTR](#)  
[ADTSM25RVTR](#) [ADTSM32NVTR](#) [ADTSMW64RV](#) [FSMRA4JHA04](#) [GS4.70F300QP](#) [3ESH9R](#) [KSC241J SP DELTA LFS](#) [3FTL600RAS](#)  
[3FTL640RAS](#) [Y96K132V0FPLFS](#) [5GSH92001](#) [5GTH9658222](#) [ADTSM31NVTR](#) [2-1977120-7](#) [TSJW-5.2-260-TR](#) [KMT011MNGJLHS](#)  
[ADTSG648NV](#) [ADTSM62KSVTR](#) [ADTSM648NV](#) [95C06E3RAT](#) [3ATH9Q](#) [FSM4JSMLXTR](#) [FSM4JSMXL](#) [FSMRA8JHA04](#) [HARS0073](#)  
[Y97HS12A5RAFP](#) [Y97BT23B2HAFP](#) [Y33R411N9FPLFT](#) [Y31C01402FPLFS](#) [PTS645SK50SMTR92](#) [ADTSM32NVB](#) [KMS233GPWTLFG](#)  
[Y78B42324FP](#) [Y33R21116FPLFT](#) [Y31B43131FPLFG](#) [Y78B64124FP](#) [Y71243251FP](#) [Y33R31119FPLFT](#) [Y97HS12A5TAFP](#)  
[PTS638SK25SMTR2LFS](#) [Y97LT25BADBFP](#)