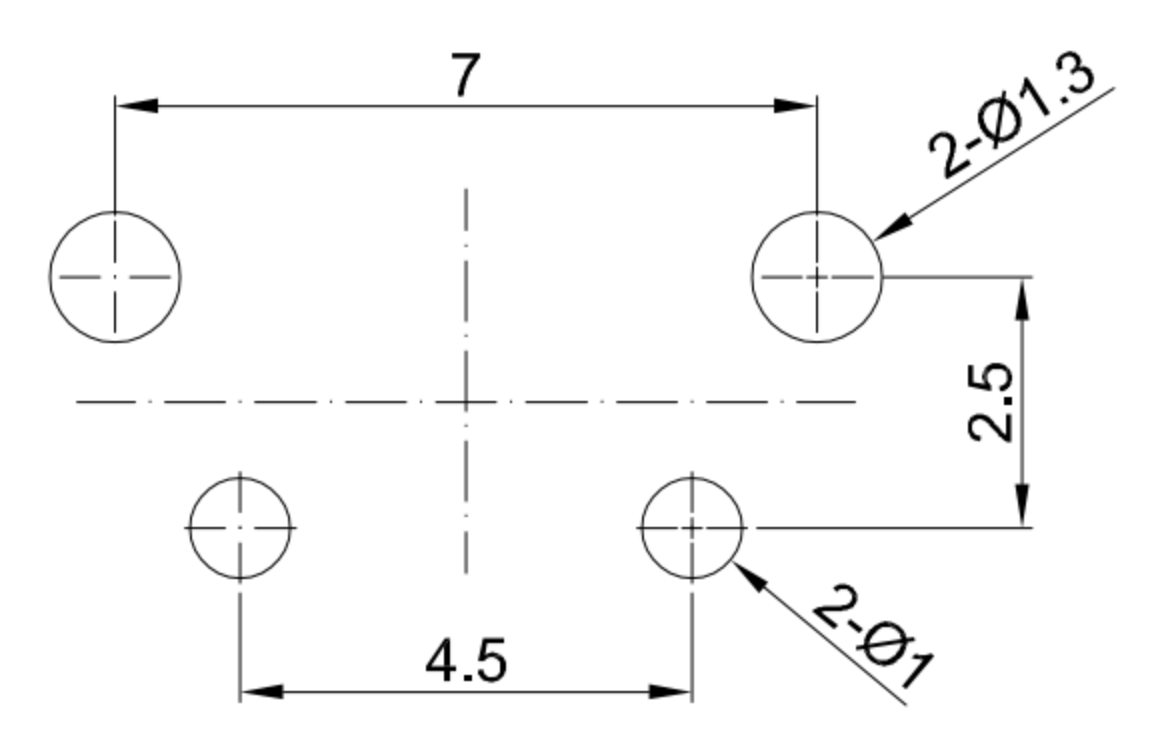
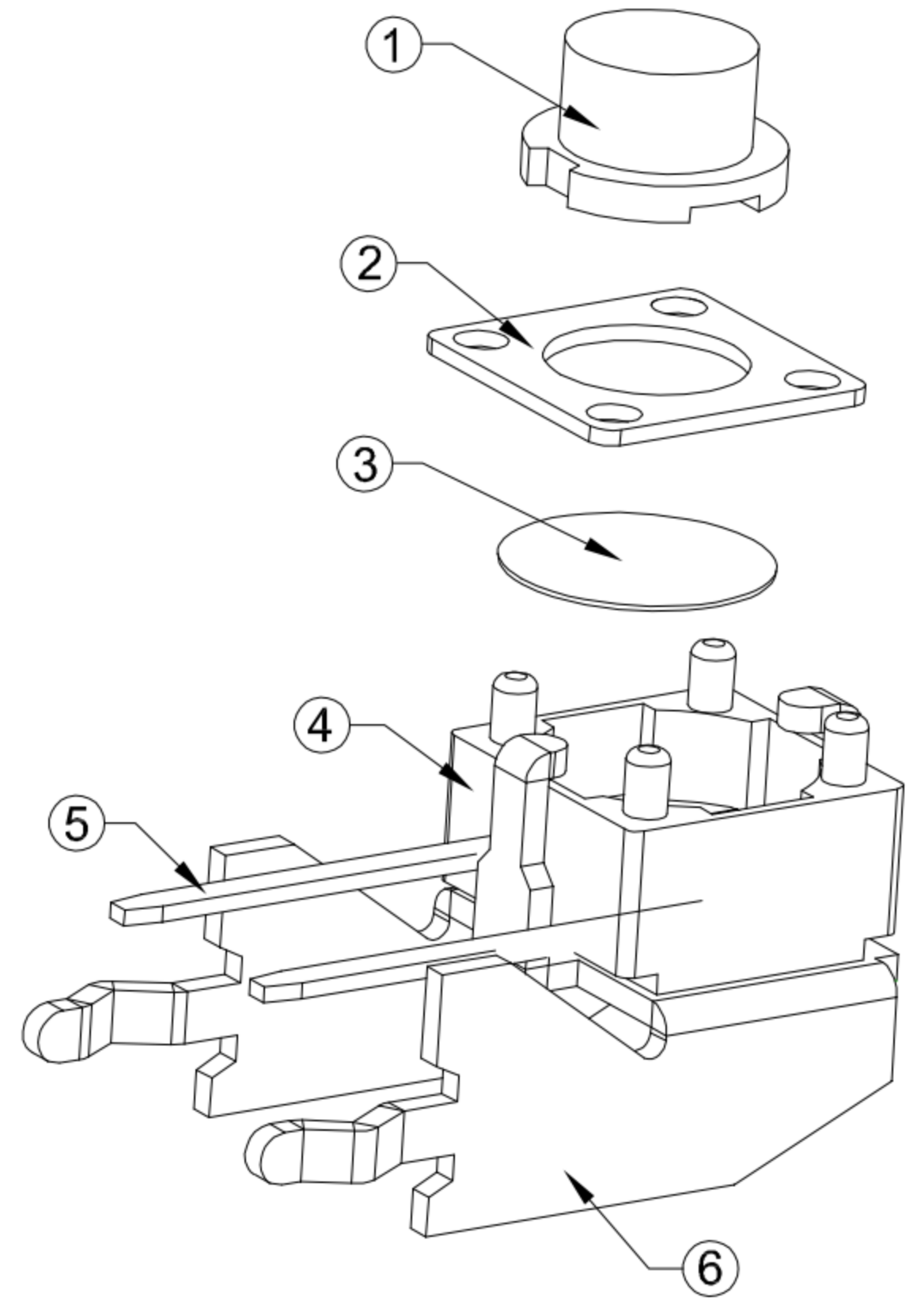
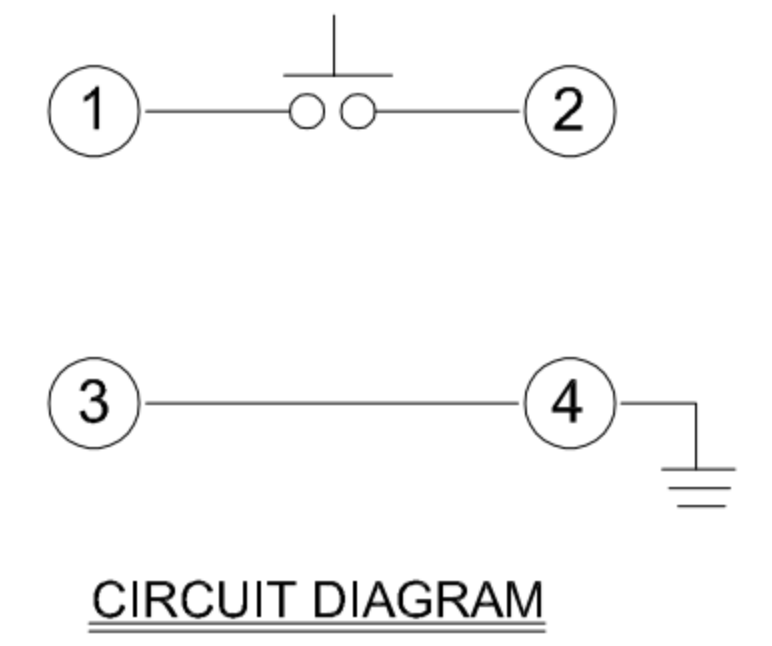


GT-TC102B-H170-L1

| | | |
|-----------------|------------------------|--------------------------------|
| G-Switch | Operating Force | Switch Lifetime (Force) |
| | A=160gf | L05=50,000 Cycles |
| | B=250gf | L1=100,000 Cycles |
| | C=100gf | L3=300,000 Cycles |
| | D=360gf | L5=500,000 Cycles |



Switch Height

| | |
|-------------|-------------|
| H043=4.3mm | H050=5.0mm |
| H055=5.5mm | H060=6.0mm |
| H065=6.5mm | H070=7.0mm |
| H075=7.5mm | H080=8.0mm |
| H085=8.5mm | H090=9.0mm |
| H095=9.5mm | H100=10.0mm |
| H105=10.5mm | H110=11.0mm |
| H115=11.5mm | H120=12.0mm |
| H125=12.5mm | H130=13.0mm |
| H135=13.5mm | H140=14.0mm |
| H145=14.5mm | H150=15.0mm |
| H155=15.5mm | H160=16.0mm |
| H165=16.5mm | H170=17.0mm |
| H175=17.5mm | H180=18.0mm |
| H185=18.5mm | H190=19.0mm |

- G-Switch Specification:**
1. Operating temperature range: -40°C ~ +85°C
 2. Rating: 50mA, 12V DC
 3. Insulation resistance: 100MΩ min, 100V DC
 4. Dielectric strength: 250V AC for 1 min
 5. Contact resistance: 100mΩ max.
 6. Travel: 0.25±0.1mm

| | | | |
|-----|-----------|-----------------|------------|
| 5 | SUPPORT | STAINLESS STEEL | Cu/Sn |
| 5 | TERMINAL | BRASS | Ag PLATING |
| 4 | BASE | PPA | BLACK |
| 3 | CONTACT | STAINLESS STEEL | Ag PLATING |
| 2 | COVER | STAINLESS STEEL | Cu/Sn |
| 1 | STEM | PPA | BLACK |
| NO. | PART NAME | MATERIAL | REMARK |



| | | | | | |
|-------------------------------------|----------|--|---------|----------|------------|
| SCALE: 1:1 | UNIT: mm | Title: Horizontal Tact Switch Support DIP CH=7.5mm 6.1×6.1×17.0mm | | | |
| SIZE: A4 | | Molde Code: GT-TC102B-H170-L1 | | | |
| Unless otherwise General Tolerance: | | DRAWN | CHECKED | APPROVED | DATE |
| X. | ±0.20 | Xia | Chen | Chen | 2023.02.01 |
| X.x | ±0.15 | | | | |
| X.xx | ±0.05 | | | | |
| X° | ±2° | | | | |



REV: A0 SHEET: 1/1

X-ON Electronics

Largest Supplier of Electrical and Electronic Components

Click to view similar products for [Tactile Switches](#) category:

Click to view products by [G-Switch](#) manufacturer:

Other Similar products are found below :

[5GTH92001](#) [5GTH9202242](#) [6407-250V-25273P](#) [ADTSA62NV](#) [ADTSA62RV](#) [B3F-3123](#) [1977177-8](#) [1977266-1](#) [ADTSA63NV](#)
[ADTSM21NSVTR](#) [ADTSM25RVTR](#) [ADTSM32NVTR](#) [ADTSMW64RV](#) [FSMRA4JHA04](#) [GS4.70F300QP](#) [KSC241J SP DELTA LFS](#)
[3FTL600RAS](#) [3FTL640RAS](#) [Y96K132V0FPLFS](#) [5GTH9658222](#) [ADTSM31NVTR](#) [2-1977120-7](#) [TSJW-5.2-260-TR](#) [KMT011MNGJLHS](#)
[B3WN6002S](#) [70-201.0](#) [ADTSG648NV](#) [ADTSM62KSVTR](#) [ADTSM648NV](#) [95C06E3RAT](#) [5GTH96561](#) [3ATH9Q](#) [FSMRA8JHA04](#)
[HARS0073](#) [Y33R411N9FPLFT](#) [Y31C01402FPLFS](#) [PTS645SK50SMTR92](#) [ADTSM32NVB](#) [KMS233GPWTLFG](#) [Y78B64124FP](#)
[Y96D113G0FP LFS](#) [Y33A812C5FP LFT](#) [Y56B2D120FP LFS](#) [PTS645 DVM83-BN125-2 LFS](#) [B3W 1000G](#) [KSC621G OL LFS](#) [B3F 1002C](#)
[B3F 0047H](#) [B3F 1000G](#) [B3W 1002C](#)