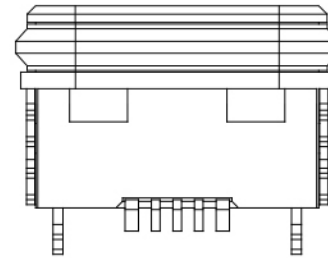
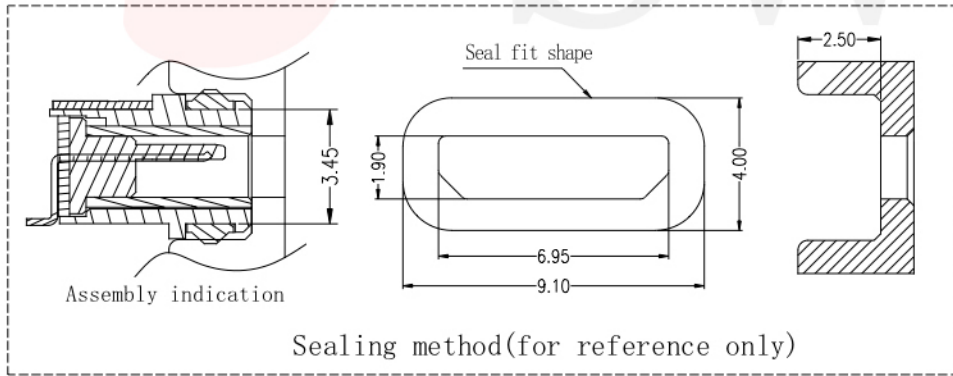


RECOMMEND PCB LAYOUT

1. Material/Plated
  - 1.1 Housing: High temperature thermoplastic, Black UL 94V-0.
  - 1.2 Cover: High temperature thermoplastic, Black UL 94V-0.
  - 1.3 Terminal: Copper Alloy, Gold Flash Plated At Contact Area, Gold Plated At Solder Area, Nickel Underplated Overall
  - 1.4 Shell: Stainless steel, Nickel plated Overall
  - 1.5 Out Shell: Stainless steel, Nickel plated Overall
  - 1.6 Ring: Silicon
  - 1.7 Epoxy: Epoxy, Black
2. Electrical Performance
  - 2.1 Rated Voltage: 30V AC
  - 2.2 Rated Current: 1,5Pin: 3.0A Max. 2,3,4Pin: 1.0A Max.
  - 2.3 Contact Resistance: 30mΩ Max.
  - 2.4 Insulation Resistance: 100MΩ Min.
  - 2.5 Dielectric Strength: 100V AC
3. Mechanical Performance
  - 3.1 Insertion Force: 35N Max.
  - 3.2 Withdrawal Force: 8-35N
  - 3.3 Durability: 10000 Cycles
4. Operating Temperature: -25°C To +85°C
5. Waterproof: IPX8

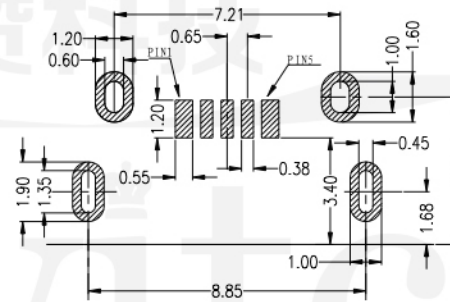
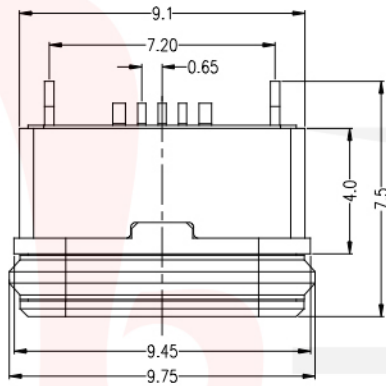
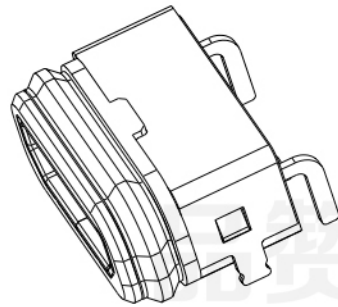
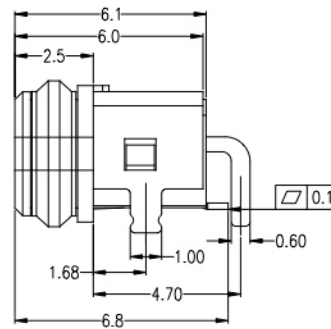
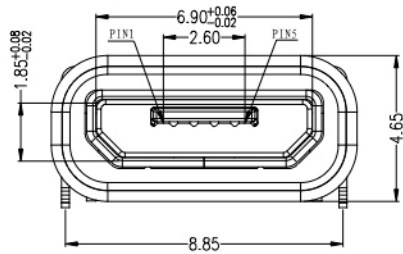


**G-Switch Electronic (HongKong) CO.,Ltd.**

Unless otherwise specified, Tolerance:  
 X. ±0.30  
 X.x ±0.20  
 X.xx ±0.15  
 X.xxx ±0.10  
 Angles ±3°

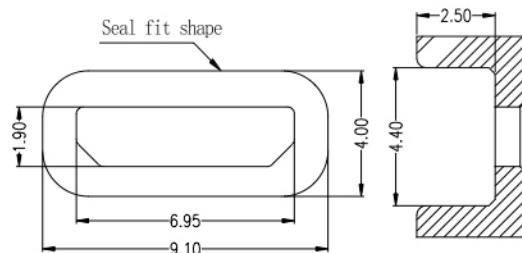
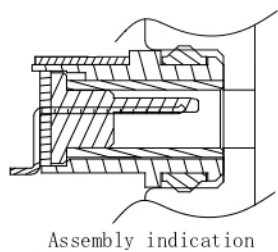
DESIGN FengFengChen DATE 2019.05.29  
 CHECKED DATE  
 APPROVED DATE  
<http://www.dg-switch.com>  
 TEL:0769-82388879

Molde code:  
**GT-USB-6008A**  
 REV.: X1 SCALE: 4:1 UNIT: mm  
 SIZE: A4 SHEET: 1/1

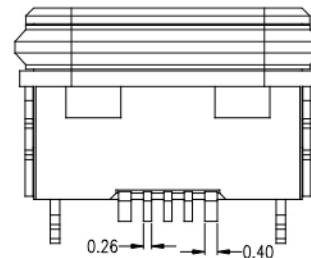


RECOMMEND PCB LAYOUT

1. Material/Plated
  - 1.1 Housing: High temperature thermoplastic, Black UL 94V-0.
  - 1.2 Cover: High temperature thermoplastic, Black UL 94V-0.
  - 1.3 Terminal: Copper Alloy, Gold Flash Plated At Contact Area, Gold Plated At Solder Area, Nickel Underplated Overall
  - 1.4 Shell: Stainless steel, Nickel plated Overall
  - 1.5 Out Shell: Stainless steel, Nickel plated Overall
  - 1.6 Ring: Silicon
  - 1.7 Epoxy: Epoxy, Black
2. Electrical Performance
  - 2.1 Rated Voltage: 30V AC
  - 2.2 Rated Current: 1,5Pin: 3.0A Max. 2,3,4Pin: 1.0A Max.
  - 2.3 Contact Resistance: 30mΩ Max.
  - 2.4 Insulation Resistance: 100MΩ Min.
  - 2.5 Dielectric Strength: 100V AC
3. Mechanical Performance
  - 3.1 Insertion Force: 35N Max.
  - 3.2 Withdrawal Force: 8-35N
  - 3.3 Durability: 10000 Cycles
4. Operating Temperature: -25°C To +85°C
5. Waterproof: IPX8



Sealing method(for reference only)

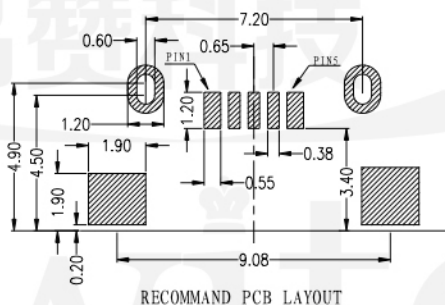
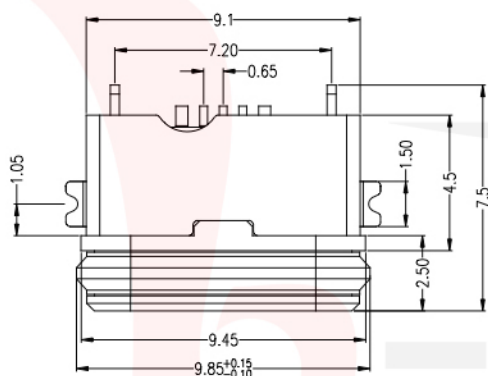
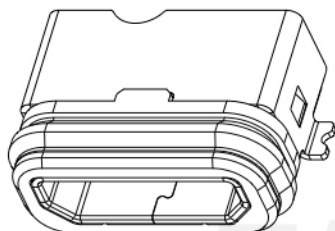
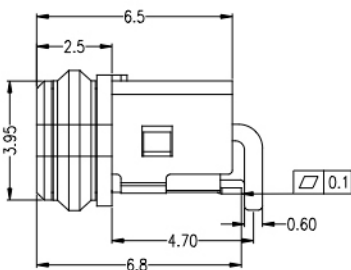
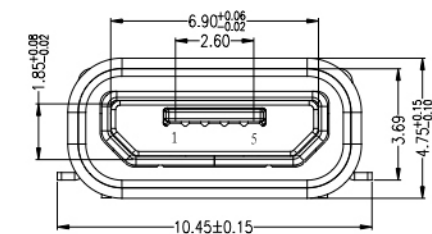


G-Switch Electronic (HongKong) CO.,Ltd.

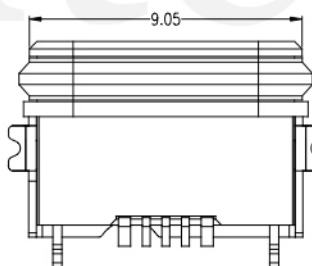
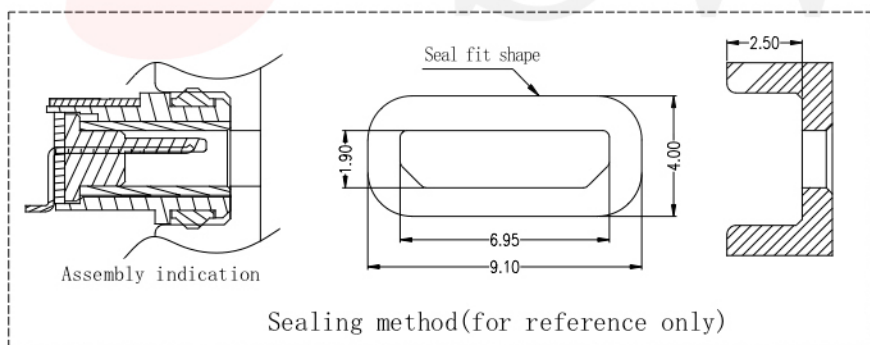
Unless otherwise specified, Tolerance:  
 X. ±0.30  
 X.x ±0.20  
 X.xx ±0.15  
 X.xxx ±0.10  
 Angles ±3°

DESIGN FengFengChen DATE 2019.05.29  
 CHECKED DATE  
 APPROVED DATE  
<http://www.dg-switch.com>  
 TEL:0769-82388879

Molde code:  
**GT-USB-6008B**  
 REV.: X1 SCALE: 4:1 UNIT: mm  
 SIZE: A4 SHEET: 1/1



1. Material/Plated
  - 1.1 Housing: High temperature thermoplastic, Black UL 94V-0.
  - 1.2 Cover: High temperature thermoplastic, Black UL 94V-0.
  - 1.3 Terminal: Copper Alloy, Gold Flash Plated At Contact Area, Gold Plated At Soldered Area, Nickel Underplated Overall
  - 1.4 Shell: Stainless steel, Nickel plated Overall
  - 1.5 Out Shell: Stainless steel, Nickel plated Overall
  - 1.6 Ring: Silicon
  - 1.7 Epoxy: Epoxy, Black
2. Electrical Performance
  - 2.1 Rated Voltage: 30V AC
  - 2.2 Rated Current: 1,5Pin: 3.0A Max. 2,3,4Pin: 1.0A Max.
  - 2.3 Contact Resistance: 30mΩ Max.
  - 2.4 Insulation Resistance: 100MΩ Min.
  - 2.5 Dielectric Strength: 100V AC
3. Mechanical Performance
  - 3.1 Insertion Force: 35N Max.
  - 3.2 Withdrawal Force: 8-35N
  - 3.3 Durability: 10000 Cycles
4. Operating Temperature: -25°C To +85°C
5. Waterproof: IPX8



G-Switch Electronic (HongKong) CO.,Ltd.

Unless otherwise specified, Tolerance:  
 X. ±0.30  
 X.x ±0.20  
 X.xx ±0.15  
 X.xxx ±0.10  
 Angles ±3°

DESIGN FengFengChen DATE 2019.05.29  
 CHECKED DATE  
 APPROVED DATE  
<http://www.dg-switch.com>  
 TEL:0769-82388879

Molde code:  
**GT-USB-6008C**  
 REV.: X1 SCALE: 4:1 UNIT: mm  
 SIZE: A4 SHEET: 1/1

## X-ON Electronics

Largest Supplier of Electrical and Electronic Components

*Click to view similar products for [USB Connectors](#) category:*

*Click to view products by [G-Switch](#) manufacturer:*

Other Similar products are found below :

[950](#) [A-USB B-TOP-C](#) [MUSBA511N5](#) [MUSBC111M5](#) [MUSBD11135](#) [17-200721](#) [217450-1](#) [KMBVX-TH-5S-B30](#) [896-30-004-00-000000](#)  
[KUSBX-AS2N-W](#) [KUSBX-SMT2AP1S-W30](#) [935](#) [957](#) [30-498-6](#) [SK-60A-2](#) [1734082-1](#) [30-1574](#) [30-470](#) [30-489](#) [30-541](#) [30-572-3](#) [A-USB](#)  
[A-2P-C](#) [MIKROE-1451](#) [USBFTV2PEM2G](#) [USBFTVSCCG](#) [4689-1](#) [1-1734084-2](#) [MUSBC11135](#) [USBF21ZNSCC](#) [USBBFTV6ZC](#)  
[MUSBB151341](#) [10135326-001LF](#) [M9177/3-1](#) [TJ-105](#) [USB-A-S-F-B-VT](#) [4198](#) [690-024-633-031](#) [UB-20PMFP-LC7001](#) [USBFTVC6MRG](#)  
[UA-20BMFA-SL8001](#) [17-200011](#) [USBFTVC7ZC](#) [UB-20AFMM-LL7A01](#) [USBFTVC2MN](#) [CAP-WCCMLPB1](#) [1310-1031-01](#) [2041386-1](#)  
[2274475-3](#) [UB-20BMFA-SL8001](#) [UB-20PMFP-SC8003](#)