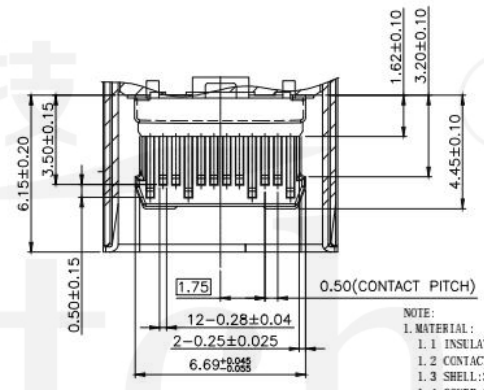
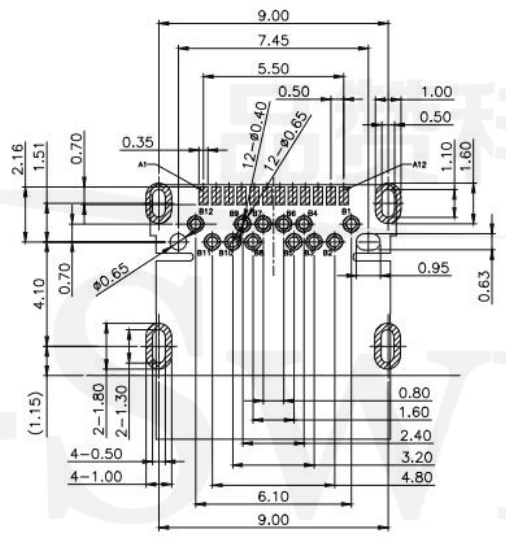
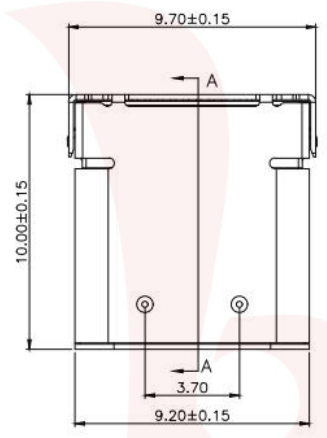


SECTION A-A

Detail A

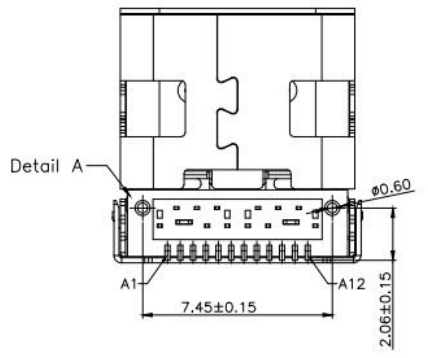
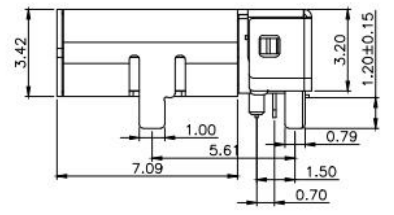


SECTION B-B

NOTE:

1. MATERIAL:
 - 1.1 INSULATOR: HIGH TEMPERATURE PLASTIC UL 94 V-0: Black Color
 - 1.2 CONTACT: C7025(T=0.12mm)
 - 1.3 SHELL: STAINLESS STEEL(T=0.20mm)
 - 1.4 COVER SHELL: STAINLESS STEEL(T=0.20mm)
 - 1.5 INNER GROUND COVER SHELL: STAINLESS STEEL(T=0.10mm)
 - 1.6 MID PLATE: STAINLESS STEEL(T=0.10mm)
2. ELECTRICAL CHARACTERISTICS:
 - 2.1 CONTACT RESISTANCE: 40m Ω Max FOR INITIAL, 10m Ω CHANGE AFTER TEST, MEASURE AT 20mv, 100mA.
 - 2.2 CONTACT CURRENT RATING: 5A FOR COLLECTIVELY POWER SUPPLY PIN(PIN4, A4, A9, A12, B1, B4, B9, B12); 1.25A FOR VCONN PIN; 0.25A FOR OTHER SIGNAL PIN.
 - 2.3 DIELECTRIC WITHSTANDING VOLTAGE: 100V AC R.M.S.
 - 2.4 INSULATION RESISTANCE 100M Ω Min
 - 2.5 OPERATING TEMPERATURE: -40° C ~ 85° C
3. MECHANICAL CHARACTERISTICS:
 - 3.1 MATING FORCE: 5*20 N.
 - 3.2 UNMATED FORCE: 8*20N INITIAL TEST; 6*20N DURABILITY AFTER TEST
 - 3.3 DURABILITY: 10,000 CYCLES
4. PLATING
 - 4.1 TERMINAL CONTACT: (SEE TAB)GOLD PLATING ON CONTACT AREA, ALL OVER 50u" Min NICKEL AND 80u"Min Matte Tin ALL OVER 50u" Min NICKEL ON SOLDER AREA
 - 4.2 SHELL: 50u" Min. NICKEL ALL OVER.
 - 4.3 COVER SHELL: 80u" Min. NICKEL ALL OVER.
 - 4.4 INNER GROUND COVER SHELL: CLEAN
 - 4.5 MID PLATE: CLEAN

RECOMMENDED PCB LAYOUT
PCB T=1.20mm
TOL:±0.05



| Pin | Signal Name | Mating Sequence | Pin | Signal Name | Mating Sequence |
|-------|-------------|-----------------|-------|-------------|-----------------|
| A1 | GND | First | B12 | GND | First |
| A2 | SSTxp1 | Second | B11 | SSRXp1 | Second |
| A3 | SSTXn1 | Second | B10 | SSRXn1 | Second |
| A4 | Vms | First | B9 | Vms | First |
| A5 | CC1 | Second | B8 | SBU2 | Second |
| A6 | Dp1 | Second | B7 | Dn2 | Second |
| A7 | Dn1 | Second | B6 | Dp2 | Second |
| A8 | SBU1 | Second | B5 | CC2 | Second |
| A9 | Vms | First | B4 | Vms | First |
| A10 | SSRXn2 | Second | B3 | SSTXn2 | Second |
| A11 | SSRXp2 | Second | B2 | SSTXp2 | Second |
| A12 | GND | First | B1 | GND | First |
| SHELL | GND | | SHELL | GND | |

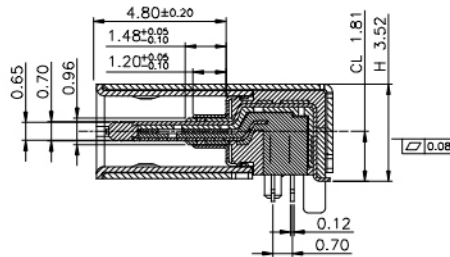
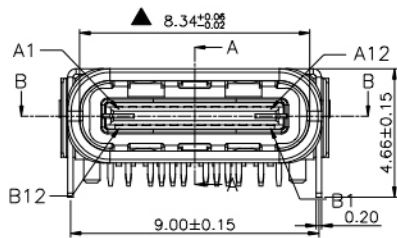


G-Switch Electronic (HongKong) CO.,Ltd.

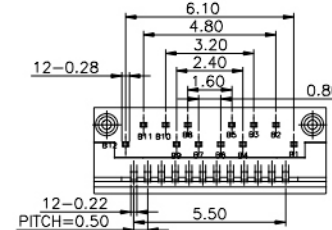
Unless otherwise specified, Tolerance:
X. ±0.30
X.x ±0.20
X.xx ±0.15
X.xxx ±0.10
Angles ±3°

DESIGN FengFengChen DATE 2019.05.29
CHECKED DATE
APPROVED DATE
<http://www.dg-switch.com>
TEL:0769-82388879

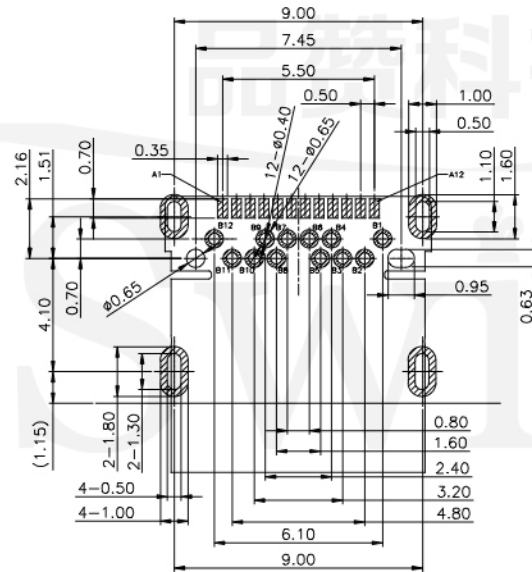
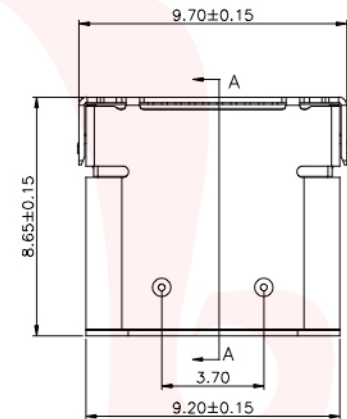
Molde code:
GT-USB-7001A
REV.: X1 SCALE: 4:1 UNIT: mm
SIZE: A4 SHEET: 1/1



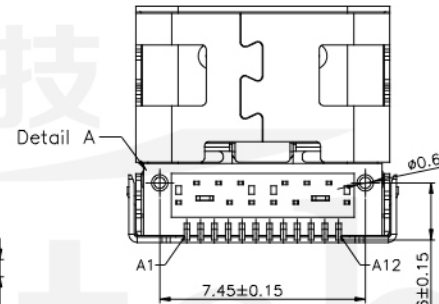
SECTION A-A



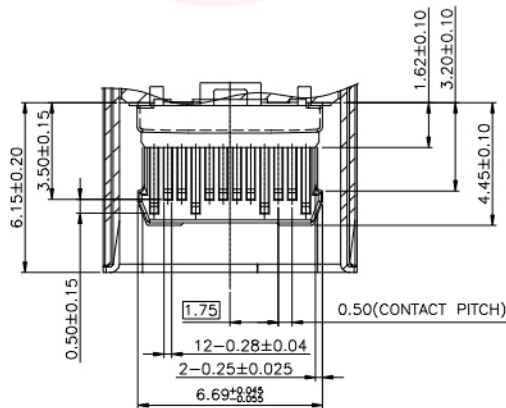
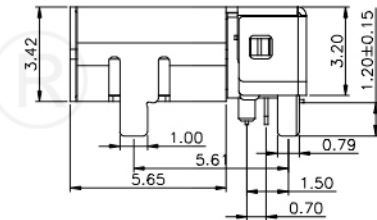
Detail A



RECOMENDED PCB LAYOUT
PCB T=1.20mm
TOL:±0.05



Detail A



SECTION B-B

NOTE:

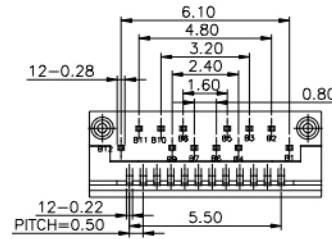
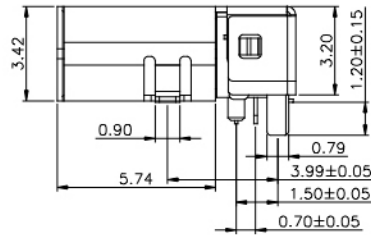
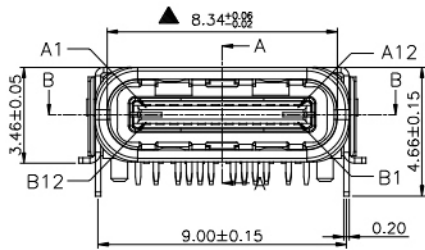
- MATERIAL:
 - INSULATOR: HIGH TEMPERATURE PLASTIC UL 94 V-0; Black Color
 - CONTACT: C7025 (T=0.12mm)
 - SHELL: STAINLESS STEEL (T=0.20mm)
 - COVER SHELL: STAINLESS STEEL (T=0.20mm)
 - INNER GROUND COVER SHELL: STAINLESS STEEL (T=0.10mm)
 - MID PLATE: STAINLESS STEEL (T=0.10mm)
- ELECTRICAL CHARACTERISTICS:
 - CONTACT RESISTANCE: 40m Ω Max FOR INITIAL, 10m Ω CHANGE AFTER TEST. MEASURE AT 20mV, 100mA
 - CONTACT CURRENT RATING: 5A FOR COLLECTIVELY POWER SUPPLY
- PIN (PIN A1, A4, A9, A12, B1, B4, B9, B12): 1.25A FOR VCONN PIN; 0.25A FOR OTHER SIGNAL PIN.
- DIELECTRIC WITHSTANDING VOLTAGE: 100V AC R.M.S.
- INSULATION RESISTANCE: 100M Ω Min
- OPERATING TEMPERATURE: -40° C ~ 85° C
- MECHANICAL CHARACTERISTICS:
 - MATING FORCE: 5~20 N.
 - UMATED FORCE: 8~20N INITIAL TEST; 6~20N DURABILITY AFTER TEST
 - DURABILITY: 10,000 CYCLES
- PLATING:
 - TERMINAL CONTACT: (SEE TAB) GOLD PLATING ON CONTACT AREA, ALL OVER 50u" Min NICKEL AND 80u" Min Matte Tin ALL OVER 50u" Min NICKEL ON SOLDER AREA
 - SHELL: 50u" Min. NICKEL ALL OVER,
 - COVER SHELL: 80u" Min. NICKEL ALL OVER,
 - INNER GROUND COVER SHELL: CLEAN
 - MID PLATE: CLEAN

| Pin | Signal Name | Mating Sequence | Pin | Signal Name | Mating Sequence |
|-------|-------------|-----------------|-------|-------------|-----------------|
| A1 | GND | First | B12 | GND | First |
| A2 | SSTXp1 | Second | B11 | SSRXp1 | Second |
| A3 | SSTXn1 | Second | B10 | SSRXn1 | Second |
| A4 | Vbus | First | B9 | Vbus | First |
| A5 | CC1 | Second | B8 | SBU2 | Second |
| A6 | Dp1 | Second | B7 | Dn2 | Second |
| A7 | Dn1 | Second | B6 | Dp2 | Second |
| A8 | SBU1 | Second | B5 | CC2 | Second |
| A9 | Vbus | First | B4 | Vbus | First |
| A10 | SSRXn2 | Second | B3 | SSTXn2 | Second |
| A11 | SSRXp2 | Second | B2 | SSTXp2 | Second |
| A12 | GND | First | B1 | GND | First |
| SHELL | GND | | SHELL | GND | |

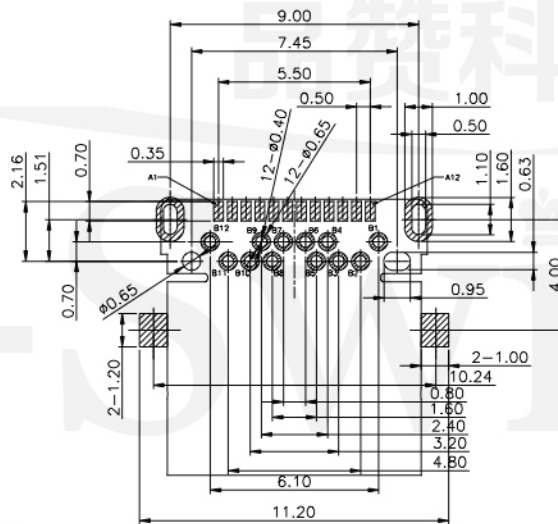
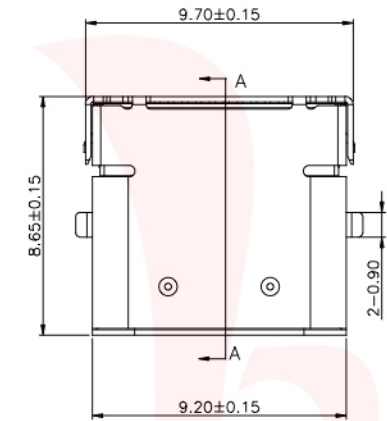


G-Switch Electronic (HongKong) CO.,Ltd.

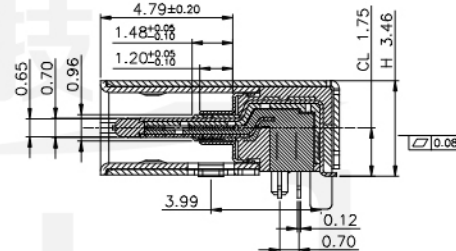
| | | | | |
|--|---|-----------------|--------------|------------|
| Unless otherwise specified, Tolerance: X. ±0.30 X.x ±0.20 X.xx ±0.15 X.xxx ±0.10 Angles ±3° | DESIGN FengFengChen | DATE 2019.05.29 | Molde code: | |
| | CHECKED | DATE | GT-USB-7001B | |
| | APPROVED | DATE | | |
| | http://www.dg-switch.com | | REV.: X1 | SCALE: 4:1 |
| TEL:0769-82388879 | | SIZE: A4 | SHEET: 1/1 | |



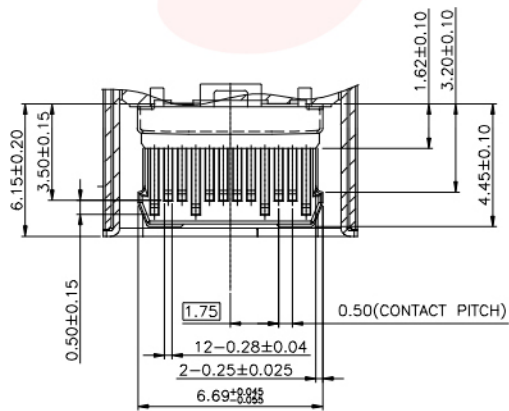
Detail A



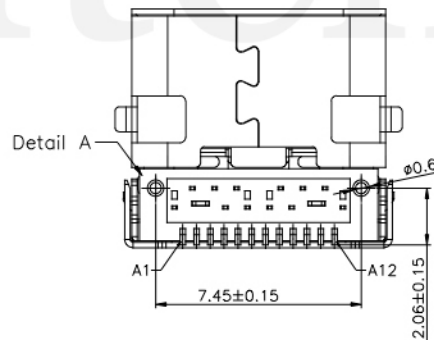
RECOMMEND P.C.B LAYOUT (COMPONENT SIDE)
TOLERANCE FOR PCB LAYOUT IS ± 0.05



SECTION A-A



SECTION B-B



Detail A

| Pin | Signal Name | Mating Sequence | Pin | Signal Name | Mating Sequence |
|-------|------------------|-----------------|-------|------------------|-----------------|
| A1 | GND | First | B12 | GND | First |
| A2 | SSTXp1 | Second | B11 | SSRXp1 | Second |
| A3 | SSTXn1 | Second | B10 | SSRXn1 | Second |
| A4 | V _{BUS} | First | B9 | V _{BUS} | First |
| A5 | CC1 | Second | B8 | SBU2 | Second |
| A6 | Dp1 | Second | B7 | Dn2 | Second |
| A7 | Dn1 | Second | B6 | Dp2 | Second |
| A8 | SBU1 | Second | B5 | CC2 | Second |
| A9 | V _{BUS} | First | B4 | V _{BUS} | First |
| A10 | SSRXn2 | Second | B3 | SSTXn2 | Second |
| A11 | SSRXp2 | Second | B2 | SSTXp2 | Second |
| A12 | GND | First | B1 | GND | First |
| SHELL | GND | | SHELL | GND | |

NOTE:

1.MATERIAL:

1.1 INSULATOR: HIGH TEMPERATURE PLASTIC UL 94 V-0; Black Color

1.2 CONTACT: C7025(T=0.12mm)

1.3 SHELL: STAINLESS STEEL(T=0.20mm)

1.4 COVER SHELL: STAINLESS STEEL(T=0.20mm)

1.5 INNER GROUND COVER SHELL: STAINLESS STEEL(T=0.10mm)

1.6 MID PLATE: STAINLESS STEEL(T=0.10mm)

2. ELECTRICAL CHARACTERISTICS:

2.1 CONTACT RESISTANCE: 40mΩ Max FOR INITIAL, 10mΩ CHANGE AFTER TEST. MEASURE AT 20mV, 100mA.

2.2 CONTACT CURRENT RATING: 5A FOR COLLECTIVELY POWER SUPPLY

PIN(PIN1, A1, A9, A12, B1, B4, B9, B12): 1.25A FOR VCONN PIN; 0.25A FOR OTHER SIGNAL PIN.

2.3 DIELECTRIC WITHSTANDING VOLTAGE: 100V AC R.M.S.

2.4 INSULATION RESISTANCE 100MΩ Min

2.5 OPERATING TEMPERATURE: -40°C ~ 85°C

3. MECHANICAL CHARACTERISTICS:

3.1 MATING FORCE: 5~20 N.

3.2 UNMATED FORCE: 8~20N INITIAL TEST; 6~20N DURABILITY AFTER TEST

3.3 DURABILITY: 10,000 CYCLES

4. PLATING

4.1 TERMINAL CONTACT: (SEE TAB) GOLD PLATING ON CONTACT AREA, ALL OVER 50u" Min

NICKEL AND 80u" Min Matte Tin ALL OVER 50u" Min NICKEL ON SOLDER AREA

4.2 SHELL: 50u" Min. NICKEL ALL OVER.

4.3 COVER SHELL: 80u" Min. NICKEL ALL OVER.

4.4 INNER GROUND COVER SHELL: CLEAN

4.5 MID PLATE: CLEAN



G-Switch Electronic (HongKong) CO.,Ltd.

Unless otherwise specified, Tolerance:
X. ±0.30
X.x ±0.20
X.xx ±0.15
X.xxx ±0.10
Angles ±3°

DESIGN FengFengChen DATE 2019.05.29
CHECKED DATE
APPROVED DATE
<http://www.dg-switch.com>
TEL: 0769-82388879

Molde code:
GT-USB-7001C
REV.: X1 SCALE: 4:1 UNIT: mm
SIZE: A4 SHEET: 1/1

X-ON Electronics

Largest Supplier of Electrical and Electronic Components

Click to view similar products for [USB Connectors](#) category:

Click to view products by [G-Switch](#) manufacturer:

Other Similar products are found below :

[950](#) [A-USB B-TOP-C](#) [MUSBA511N5](#) [MUSBC111M5](#) [MUSBD11135](#) [17-200721](#) [217450-1](#) [KMBVX-TH-5S-B30](#) [896-30-004-00-000000](#)
[KUSBX-AS2N-W](#) [KUSBX-SMT2AP1S-W30](#) [935](#) [957](#) [30-498-6](#) [SK-60A-2](#) [1734082-1](#) [30-1574](#) [30-470](#) [30-489](#) [30-541](#) [30-572-3](#) [A-USB](#)
[A-2P-C](#) [MIKROE-1451](#) [USBFTV2PEM2G](#) [USBFTVSCCG](#) [4689-1](#) [1-1734084-2](#) [MUSBC11135](#) [USBF21ZNSCC](#) [USBBFTV6ZC](#)
[MUSBB151341](#) [10135326-001LF](#) [M9177/3-1](#) [TJ-105](#) [USB-A-S-F-B-VT](#) [4198](#) [690-024-633-031](#) [UB-20PMFP-LC7001](#) [USBFTVC6MRG](#)
[UA-20BMFA-SL8001](#) [17-200011](#) [USBFTVC7ZC](#) [UB-20AFMM-LL7A01](#) [USBFTVC2MN](#) [CAP-WCCMLPB1](#) [1310-1031-01](#) [2041386-1](#)
[2274475-3](#) [UB-20BMFA-SL8001](#) [UB-20PMFP-SC8003](#)