

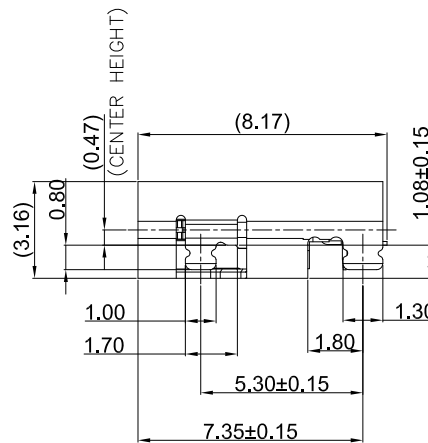
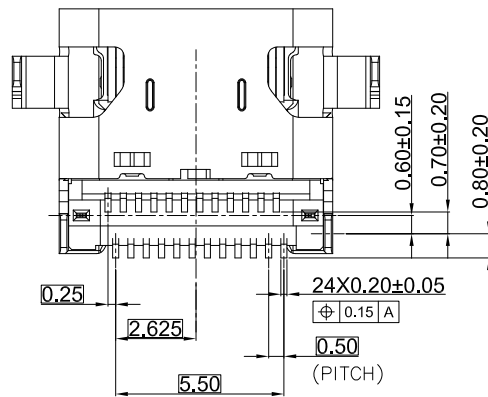
Note

specification:

- 1.1 rated current: 5.0 A
- 1.2 voltage rating: 5V AC
- 1.3 contact resistance: 40 m Ω max
- 1.4 insulation resistance: 100M Ω min
- 1.5 withstanding voltage: 100 VAC / minute
- 1.6 mating force: 5 ~ 20n
- 1.7 unmating force: 8 ~ 20n
- 1.8 durability cycle: 10000 cycles
- 1.9 operating temperature: - 40 ° ~ + 85

A1	A2	A3	A4	A5	A6	A7	A8	A9	A10	A11	A12
GND	TX1+	TX1-	VBUS	CC1	D+	D-	SBU1	VBUS	RX2-	RX2+	GND
GND	RX1+	RX1-	VBUS	SBU2	D-	D+	CC2	VBUS	TX2-	TX2+	GND
B12	B11	B10	B9	B8	B7	B6	B5	B4	B3	B2	B1
4	TERMINAL	24	C18140	MATING SIDE:SEE PART NO: SOLDER TAIL:G6H FLASH, 50U" NICKEL OVERALL							T=0.12
3	SHELL	1	SUS304	NICKEL PLATING							T=0.30
2	MID PLATE	1	SUS301	NICKEL PLATING							T=0.15
1	MAIN HOUSING	1	PAST HF 30%镍片, UL94 V-0, 黑色								BLACK UL94V-0
ITEM	DESCRIPTION	QTY	MATERIAL	FINISH				REMARK			

BILL OF MATERIAL

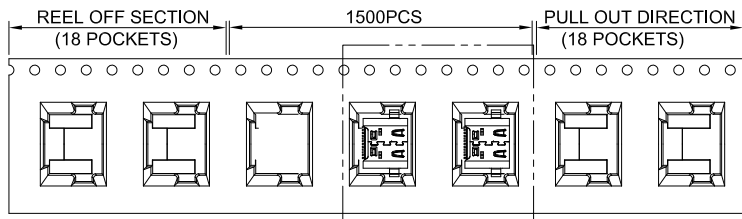


b-Switch 品赞科技®

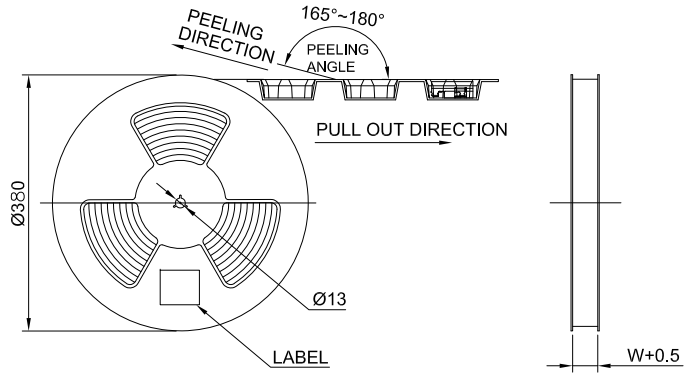
Unless otherwise specified, Tolerance:
 X. ±0.30
 X.x ±0.20
 X.xx ±0.15
 X.xxx ±0.10
 Angles ±3°

G-Switch Electronic (HongKong) CO.,Ltd.

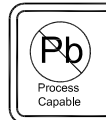
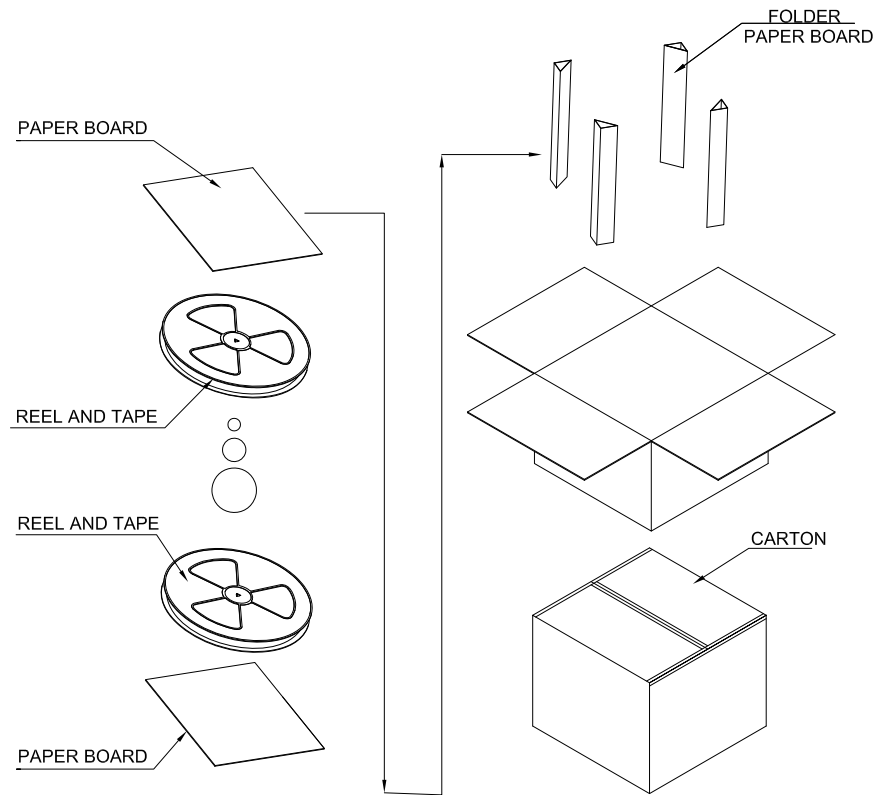
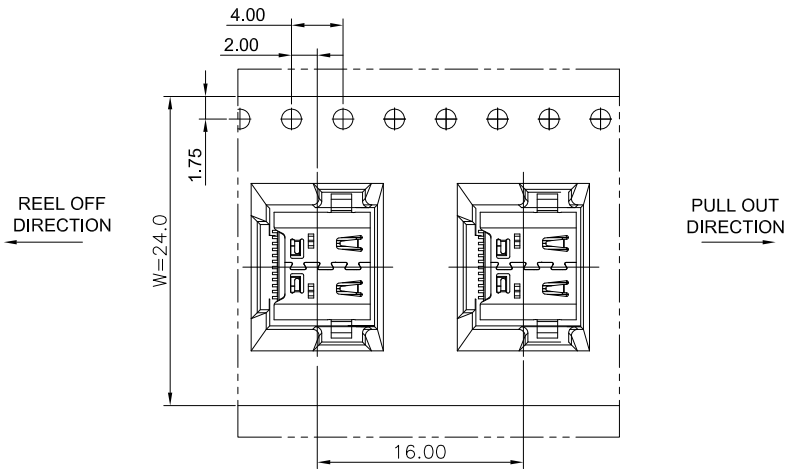
DESIGN Li Qingqi	DATE 2022.04.21	Molde code:	
CHECKED	DATE	GT-USB-7007D	
APPROVED	DATE		
http://www.dg-switch.com		REV.: X1	SCALE: 4:1
TEL:0769-82388879		UNIT: mm	
		SIZE: A4	SHEET: 1/1



SEE DETAIL X



W+0.5



G-Switch Electronic (HongKong) CO.,Ltd.

Unless otherwise specified, Tolerance:

X.	±0.30
X.x	±0.20
X.xx	±0.15
X.xxx	±0.10
Angles	±3°

DESIGN Li Qingqi

DATE 2022.04.21

Molde code:

CHECKED

DATE

GT-USB-7007D

APPROVED

DATE

<http://www.dg-switch.com>

REV.: X1

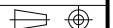
SCALE: 4:1

UNIT: mm

TEL:0769-82388879

SIZE: A4

SHEET: 1/1



X-ON Electronics

Largest Supplier of Electrical and Electronic Components

Click to view similar products for [USB Connectors](#) category:

Click to view products by [G-Switch](#) manufacturer:

Other Similar products are found below :

[950](#) [A-USB B-TOP-C](#) [MUSBA511N5](#) [MUSBC111M5](#) [MUSBD11135](#) [17-200721](#) [217450-1](#) [KMBVX-TH-5S-B30](#) [896-30-004-00-000000](#)
[KUSBX-AS2N-W](#) [KUSBX-SMT2AP1S-W30](#) [935](#) [957](#) [30-498-6](#) [SK-60A-2](#) [1734082-1](#) [30-1574](#) [30-470](#) [30-489](#) [30-541](#) [30-572-3](#) [A-USB](#)
[A-2P-C](#) [MIKROE-1451](#) [USBFTV2PEM2G](#) [USBFTVSCCG](#) [4689-1](#) [1-1734084-2](#) [MUSBC11135](#) [USBF21ZNSCC](#) [USBBFTV6ZC](#)
[MUSBB151341](#) [10135326-001LF](#) [M9177/3-1](#) [TJ-105](#) [USB-A-S-F-B-VT](#) [4198](#) [690-024-633-031](#) [UB-20PMFP-LC7001](#) [USBFTVC6MRG](#)
[UA-20BMFA-SL8001](#) [17-200011](#) [USBFTVC7ZC](#) [UB-20AFMM-LL7A01](#) [USBFTVC2MN](#) [CAP-WCCMLPB1](#) [1310-1031-01](#) [2041386-1](#)
[2274475-3](#) [UB-20BMFA-SL8001](#) [UB-20PMFP-SC8003](#)