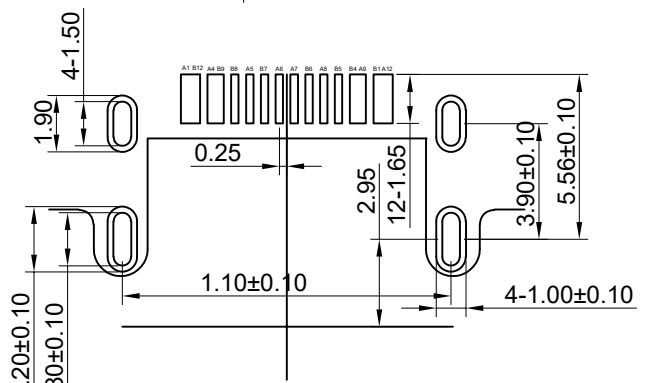
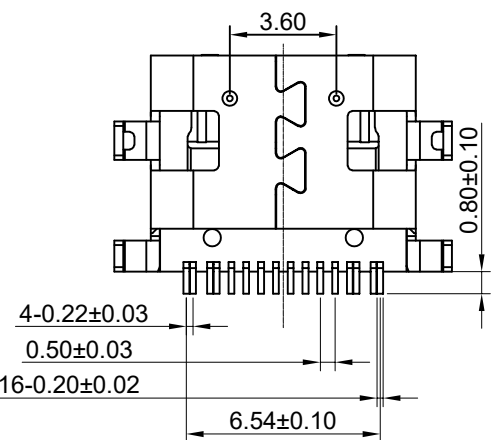


NOTES:

- MECHANICAL:
 - MATING:5~20N.
 - WITHDRAWAL:8~20N
 - DURABILITY:10000 CYCLES.
- ELECTRICAL:
 - CURRENT:5A MAX
 - VOLTAGE:30V MAX
 - WITHSTANDING VOLTAGE:100V AC
 - CONTACT RESISTANCE:40mΩ MAX(Initial) ,50mΩ MAX(TEST AFTER)
 - INSULATION RESISTANCE:100MΩ MIN
- Raw material:
 - HOUSING:Thermoplastics (LCP E130i) Blue
 - TERINNAL:Copper alloy(C7025),T0.12mm
 - MIDDEL SPRING:Stainless steel(SUS304),T0.10mm
 - SHELL:Stainless steel(SUS304),T0.30mm
- Surface Coating :
 - TERINNAL:Au 3u" MIN
 - SHELL:Ni 50u" MIN
 - FRONT SPRING:Ni 50u" MIN
- ENVIRONMENTAL:
 - TEMPERATURE RANGE:-40°C ~ +85°C



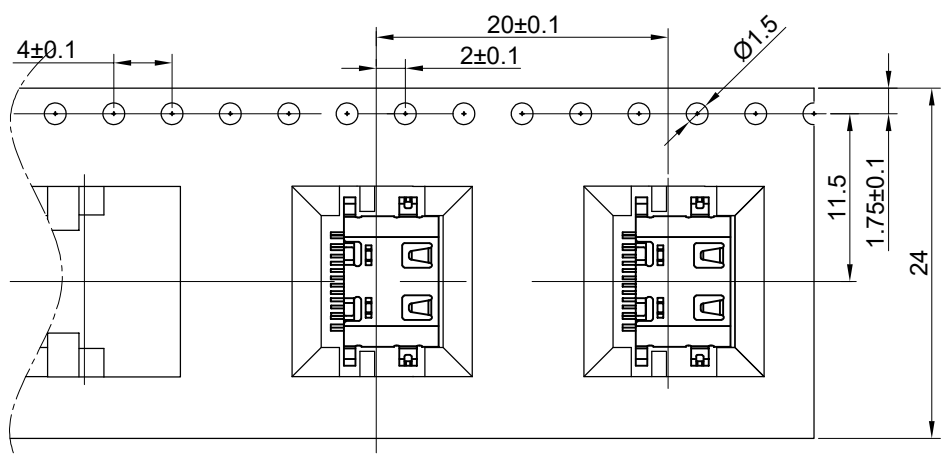
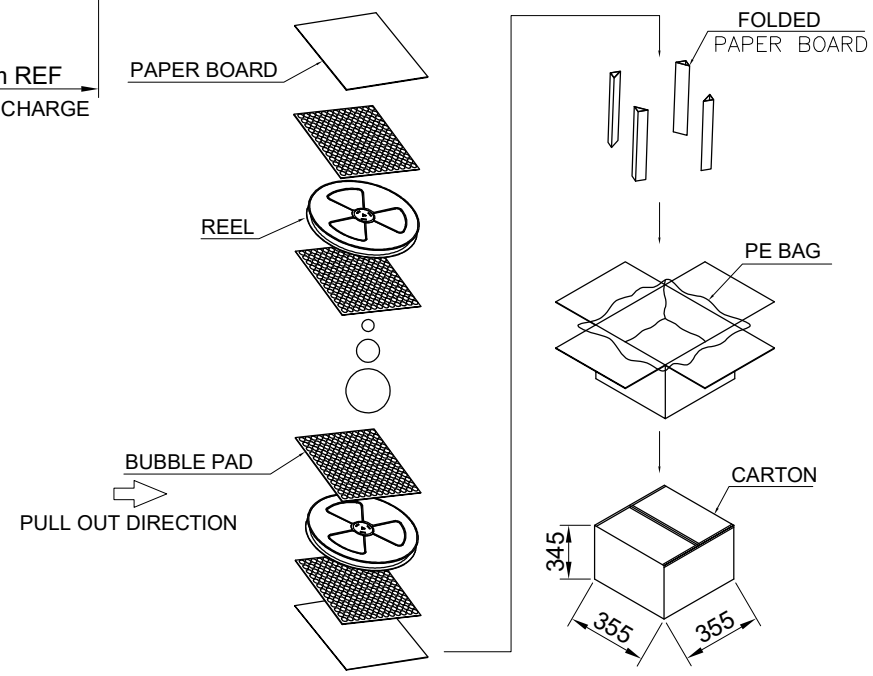
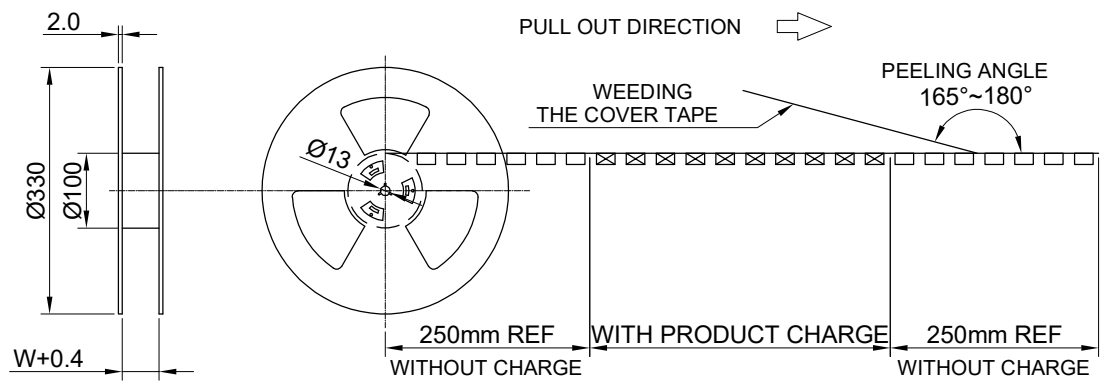
A1	GND	B12	GND
A4	VBUS	B9	VBUS
A5	CC1	B8	SBU2
A6	DP1	B7	DN2
A7	DN1	B6	DP2
A8	SBU1	B5	CC2
A9	VBUS	B4	VBUS
A12	GND	B1	GND
PIN	SIGNAL NAME	PIN	SIGNAL NAME

RECOMMENDED P.C.B LAYOUT
TOLERANCE UNSPECIFIED ±0.05mm




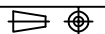
G-Switch Electronic (HongKong) CO.,Ltd.

Unless otherwise specified, Tolerance: X. ±0.30 X.x ±0.20 X.xx ±0.15 X.xxx ±0.10 Angles ±3°	DESIGN Li Qingqi	DATE 2021.11.03	Molde code:		
	CHECKED	DATE	GT-USB-7014AB		
	APPROVED	DATE			
	http://www.dg-switch.com	REV.: X1	SCALE: 4:1	UNIT: mm	
TEL:0769-82388879	SIZE: A4	SHEET: 1/1			



NOTE:
1. QUANTITY: 1000 PCS/REEL, 10000PCS/CARTON.



	G-Switch Electronic (HongKong) CO.,Ltd.				
	DESIGN Li Qingqi	DATE 2021.11.03	Molde code: GT-USB-7014AB		
	CHECKED	DATE			
	APPROVED	DATE	REV.: X1	SCALE: 4:1	UNIT: mm
	http://www.dg-switch.com		SIZE: A4	SHEET: 1/1	
Unless otherwise specified, Tolerance: X. ±0.30 X.x ±0.20 X.xx ±0.15 X.xxx ±0.10 Angles ±3°	TEL: 0769-82388879				

X-ON Electronics

Largest Supplier of Electrical and Electronic Components

Click to view similar products for [USB Connectors](#) category:

Click to view products by [G-Switch](#) manufacturer:

Other Similar products are found below :

[950](#) [A-USB B-TOP-C](#) [MUSBA511N5](#) [MUSBC111M5](#) [MUSBD11135](#) [17-200721](#) [217450-1](#) [KMBVX-TH-5S-B30](#) [896-30-004-00-000000](#)
[KUSBX-AS2N-W](#) [KUSBX-SMT2AP1S-W30](#) [935](#) [957](#) [30-498-6](#) [SK-60A-2](#) [1734082-1](#) [30-1574](#) [30-470](#) [30-489](#) [30-541](#) [30-572-3](#) [A-USB](#)
[A-2P-C](#) [MIKROE-1451](#) [USBFTV2PEM2G](#) [USBFTVSCCG](#) [4689-1](#) [1-1734084-2](#) [MUSBC11135](#) [USBF21ZNSCC](#) [USBBFTV6ZC](#)
[MUSBB151341](#) [10135326-001LF](#) [M9177/3-1](#) [TJ-105](#) [USB-A-S-F-B-VT](#) [4198](#) [690-024-633-031](#) [UB-20PMFP-LC7001](#) [USBFTVC6MRG](#)
[UA-20BMFA-SL8001](#) [17-200011](#) [USBFTVC7ZC](#) [UB-20AFMM-LL7A01](#) [USBFTVC2MN](#) [CAP-WCCMLPB1](#) [1310-1031-01](#) [2041386-1](#)
[2274475-3](#) [UB-20BMFA-SL8001](#) [UB-20PMFP-SC8003](#)