



- NOTE:
- 1.PLATING SPECIFICATION:
1-1.CONTACTS:
Ni 50u" MIN. UNDER PLATED OVER ALL.
Au PLATED ON THE FUNCTIONAL AREA OF CONTACT.
(GOLD PLATING THICKNESS FOLLOW THE P/IN)
PLATING SPECIFICATIONS OF THE SOLDER AREA FOLLOW THE P/IN
1-2.FRONT SHELL:
Ni 30u" MIN. UNDER PLATED OVER ALL.
 - 1-3.MID PLATE:
CLEAR ONLY
 - 2.MECHANICAL PERFORMANCE,
2-1.INSERTION FORCE: 0.5-2.0kgf,
2-2.REMOVAL FORCE: 0.8kgf-2.0kgf.
2-3.DURABILITY: 10000 CYCLES.
 - 3.ELECTRICAL PERFORMANCE,
3-1. CURRENT RATING:5.0A
VOLTAGE RATING:5.0V
3-2. LLCR:
VBUS & GND PINS AND OTHER PINS: 40mΩ/PIN MAX.
SHIELD: 50mΩ/MAX.
LLCR MAX. CHANGE OF ALL PINS: 10mΩ.
3-3.INSULATION RESISTANCE: 100MΩ MIN
3-4.DIELECTRIC WITHSTAND VOLTAGE:AC 100V FOR 1 MINUTE.
 4. ENVIRONMENTAL PERFORMANCE:
OPERATING TEMPERATURE: -45C~+85°C.
5.IR REFLOW:
THE PEAK TEMPERATURE ON THE BOARD SHALL
BE MAINTAINED FOR 10 SECONDS AT 260°C.

A1	A2	A3	A4	A5	A6	A7	A8	A9	A10	A11	A12
GND	TX1+	TX1-	VBUS	CC1	D+	D-	SBU1	VBUS	RX2-	RX2+	GND
GND	RX1+	RX1-	VBUS	SBU2	D-	D+	CC2	VBUS	TX2-	TX2+	GND
B12	B11	B10	B9	B8	B7	B6	B5	B4	B3	B2	B1
NO	DESCRIPTION	MATERIAL									
1	HOUSING	HIGH TEMPERATURE RESISTANT PLASTIC,UL94 V-0.									
2	CONTACTS	COPPER ALLOY									
3	MID PLATE	STAINLESS STEEL									
4	FRONT SHELL	STAINLESS STEEL									

G-Switch Electronic (HongKong) CO.,Ltd.

DESIGN Li Qingqi DATE 2022.05.14 Molde code:

CHECKED DATE **GT-USB-7014G**

APPROVED DATE

<http://www.dg-switch.com> REV.: X1 SCALE: 4:1 UNIT: mm

TEL:0769-82388879 SIZE: A4 SHEET: 1/1

Unless otherwise specified, Tolerance:

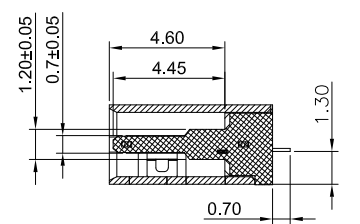
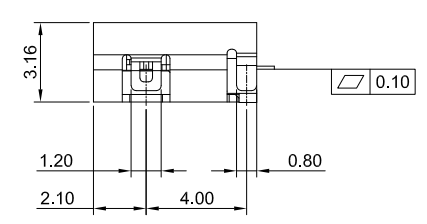
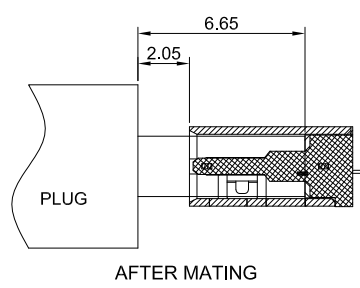
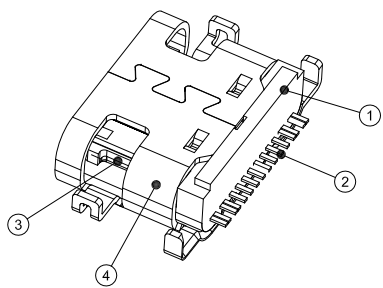
X. ±0.30

X.x ±0.20

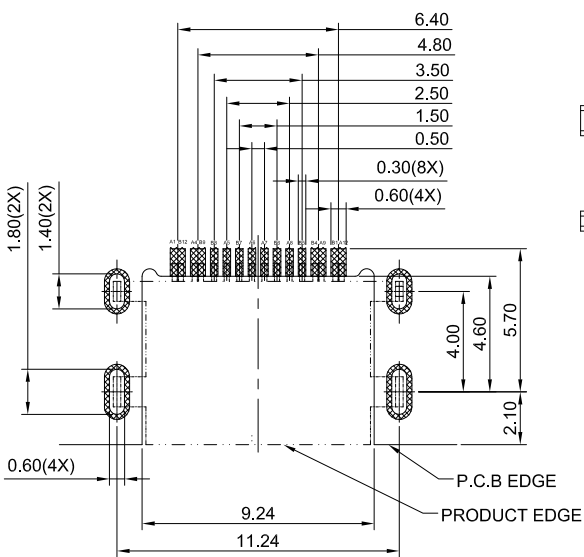
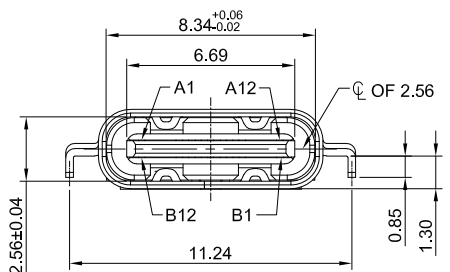
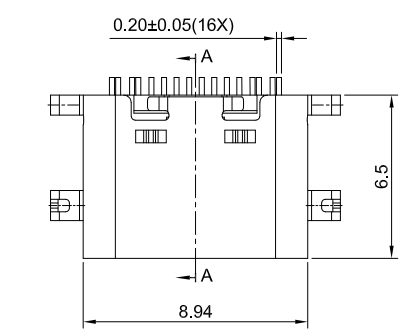
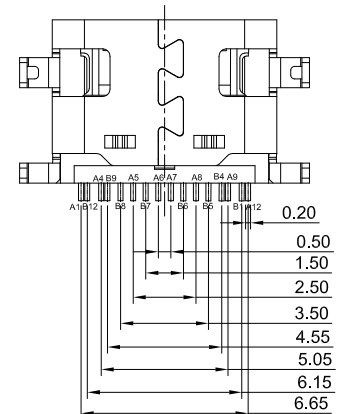
X.xx ±0.15

X.xxx ±0.10

Angles ±3°

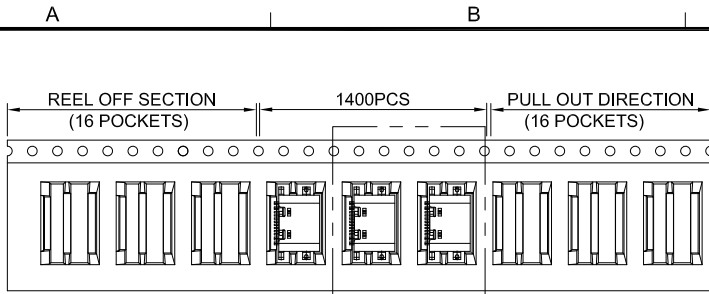


SECTION:A-A

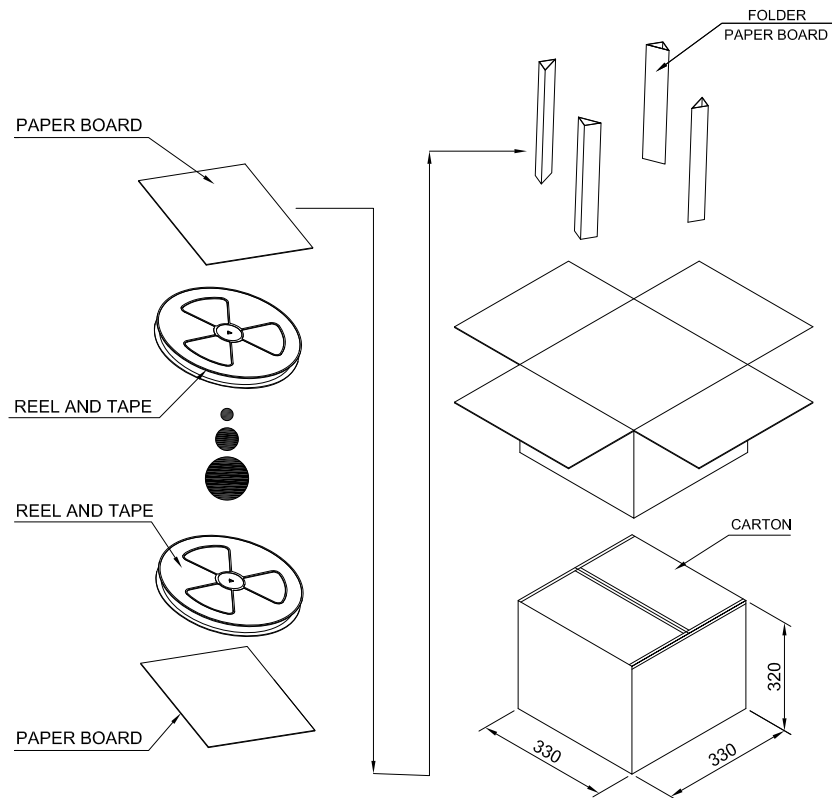
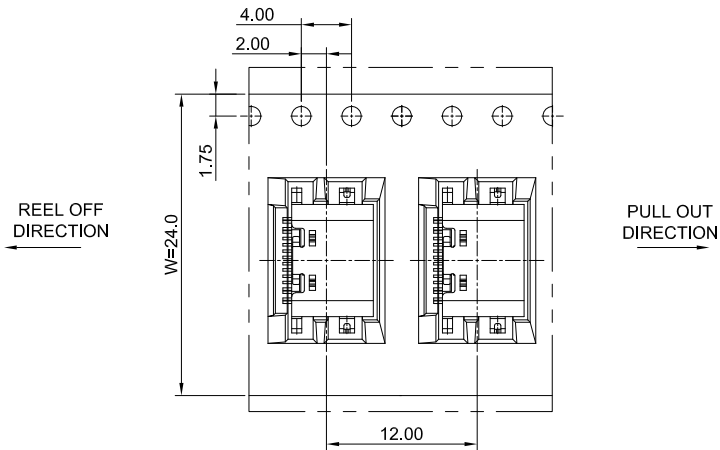
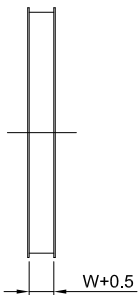
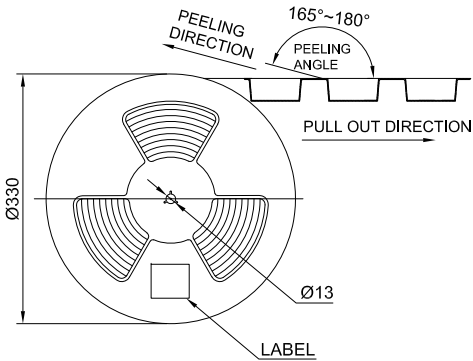


RECOMMENDED PCB LAYOUT(TOP VIEW)
THICKNESS 0.80MM;DEFAULT TOLERANCE:±0.05





SEE DETAIL X



G-Switch Electronic (HongKong) CO.,Ltd.

Unless otherwise specified, Tolerance:

X.	±0.30
X.x	±0.20
X.xx	±0.15
X.xxx	±0.10
Angles	±3°

DESIGN Li Qingqi

DATE 2022.05.14

Molde code:

CHECKED

DATE

GT-USB-7014G

APPROVED

DATE

<http://www.dg-switch.com>

REV.: X1

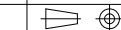
SCALE: 4:1

UNIT: mm

TEL:0769-82388879

SIZE: A4

SHEET: 1/1



X-ON Electronics

Largest Supplier of Electrical and Electronic Components

Click to view similar products for [USB Connectors](#) category:

Click to view products by [G-Switch](#) manufacturer:

Other Similar products are found below :

[950](#) [A-USB B-TOP-C](#) [MUSBA511N5](#) [MUSBC111M5](#) [MUSBD11135](#) [17-200721](#) [217450-1](#) [KMBVX-TH-5S-B30](#) [896-30-004-00-000000](#)
[KUSBX-AS2N-W](#) [KUSBX-SMT2AP1S-W30](#) [935](#) [957](#) [30-498-6](#) [SK-60A-2](#) [1734082-1](#) [30-1574](#) [30-470](#) [30-489](#) [30-541](#) [A-USB A-2P-C](#)
[MIKROE-1451](#) [USBFTV2PEM2G](#) [USBFTVSCCG](#) [4689-1](#) [1-1734084-2](#) [MUSBC11135](#) [USBF21ZNSCC](#) [USBBFTV6ZC](#) [MUSBB151341](#)
[10135326-001LF](#) [M9177/3-1](#) [TJ-105](#) [USB-A-S-F-B-VT](#) [4198](#) [690-024-633-031](#) [UB-20PMFP-LC7001](#) [USBFTVC6MRG](#) [UA-20BMFA-](#)
[SL8001](#) [17-200011](#) [USBFTVC7ZC](#) [UB-20AFMM-LL7A01](#) [USBFTVC2MN](#) [CAP-WCCMLPB1](#) [1310-1031-01](#) [2041386-1](#) [2274475-3](#) [UB-](#)
[20BMFA-SL8001](#) [UB-20PMFP-SC8003](#) [914-614A2025S10200](#)