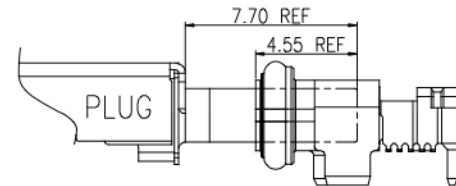
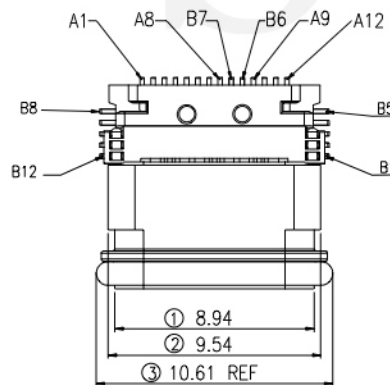
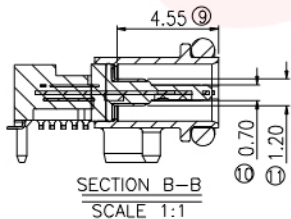


- NOTES:
- ELECTRICAL:
 - CONTACT CURRENT RATING 5.0A FOR VBUS AND GND(PINS A4 A9 B4 B9)
 - INSULATION RESISTANCE: 100 MEGAOHMS MIN. AT 250VDC.
 - DIELECTRIC WITHSTANDING VOLTAGE: 100VAC MIN.
 - LOW CONTACT RESISTANCE: INITIAL 40mΩ MAX. AFTER 50mΩ MAX.
 - MECHANICAL CHARACTERISTICS:
 - INSERTION FORCE: 5N~20N.
 - EXTRACTION FORCE: 8N~20N FORM 1 TO 1000CYCLES. 6~20N FORM 1001 TO 10000CYCLES.
 - DURABILITY: 10,000 MATING CYCLES
 - OPERATING TEMPERATURE: -55°C TO +85°C
 - COPLANARITY: 0.10MAX.



TEMPART NAME	QTY	MATERIAL	REMARK
1 SHELL	1PCS	STAINLESS	NICKEL PLATED 50u" MIN. OVER ALL CLEAN
2 INSERT HOUSING	1PCS	PA10T	UL94V-0
3 Mid-PLATE	1PCS	STAINLESS	NI PLATED 50u" MIN. OVER ALL
4 TOP CONTACT	1SET	COPPER ALLOY	NI UNDERPLATED 50 u" MIN OVER ALL; 1u" ON SOLDER TAIL; Gold Flash" or 5u" or 10u" or 15u" or 30u" ON CONTACT AREA.
5 BOTTOM CONTACT	1SET	COPPER ALLOY	
6 RUBBER RING	1PCS	SILICA GEL	MILKY WHITE

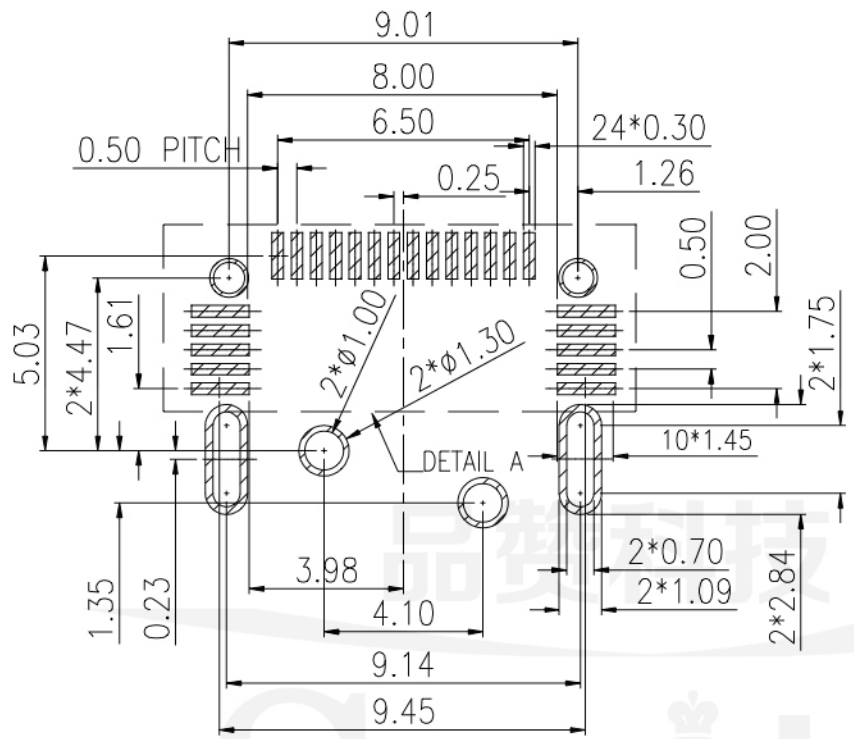


G-Switch Electronic Technology CO.,Ltd.

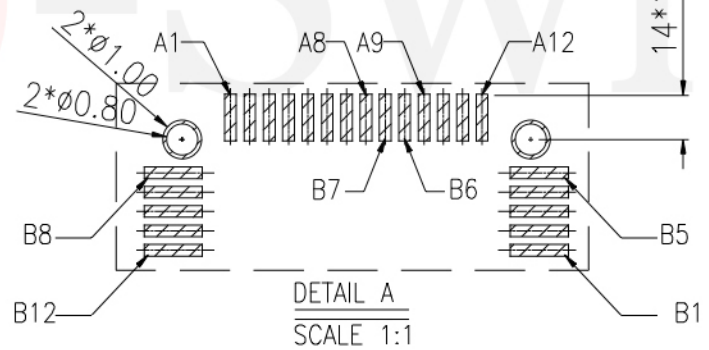
Unless otherwise specified, Tolerance:
 X. ±0.30
 X.x ±0.20
 X.xx ±0.15
 X.xxx ±0.10
 Angles ±3°

DESIGN 陈锋枫 DATE 2016.05.29
 CHECKED DATE
 APPROVED DATE
<http://www.dg-switch.com>
 TEL:0769-82388879

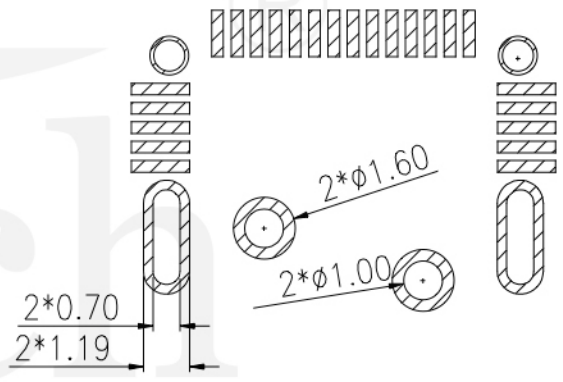
TITLE: GT-USB-7018
 REV.: X1 SCALE: 4:1 UNIT: mm
 SIZE: A4 SHEET: 1/1



RECOMMENDED PCB LAYOUT
TOLERANCE±0.05



DETAIL A
SCALE 1:1



RECOMMENDED STENCIL LAYOUT
TOLERANCE±0.05

PIN	SIGNAL NAME	PIN	SIGNAL NAME
A1	GND	B12	GND
A2	SSTXp1	B11	SSRXp1
A3	SSTXn1	B10	SSRXn1
A4	VBUS	B9	VBUS
A5	CC1	B8	SBU2
A6	Dp1	B7	Dn2
A7	Dn1	B6	Dp2
A8	SBU1	B5	CC2
A9	VBUS	B4	VBUS
A10	SSRXn2	B3	SSTXn2
A11	SSRXp2	B2	SSTXp2
A12	GND	B1	GND



品贊科技®

G-Switch Electronic Technology CO.,Ltd.

Unless otherwise specified, Tolerance:		DESIGN 陈锋枫	DATE 2016.05.29	TITLE:	
X.	±0.30	CHECKED	DATE	GT-USB-7018	
X.x	±0.20	APPROVED	DATE		
X.xx	±0.15	http://www.dg-switch.com		REV.:	X1
X.xxx	±0.10			SIZE:	A4
Angles	±3°	TEL:0769-82388879		SHEET:	1/1
				UNIT: mm	

X-ON Electronics

Largest Supplier of Electrical and Electronic Components

Click to view similar products for [USB Connectors](#) category:

Click to view products by [G-Switch](#) manufacturer:

Other Similar products are found below :

[950](#) [A-USB B-TOP-C](#) [MUSBA511N5](#) [MUSBC111M5](#) [MUSBD11135](#) [17-200721](#) [217450-1](#) [KMBVX-TH-5S-B30](#) [896-30-004-00-000000](#)
[KUSBX-AS2N-W](#) [KUSBX-SMT2AP1S-W30](#) [935](#) [957](#) [30-498-6](#) [SK-60A-2](#) [1734082-1](#) [CIR06R-18-12S-F80-T12-26](#) [CIR08F-20](#) [30-1574](#)
[30-470](#) [30-489](#) [30-541](#) [MAB 5 S](#) [A-USB A-2P-C](#) [MIKROE-1451](#) [USBFTV2PEM2G](#) [USBFTVC6ZN](#) [USBFTVSCCG](#) [4689-1](#) [1-1734084-2](#)
[MUSBC11135](#) [CIR08F-20-27P-F80-VO](#) [USBF21ZNSCC](#) [USBBFTV6ZC](#) [10135326-001LF](#) [M9177/3-1](#) [USB-A-S-F-B-VT](#) [4198](#) [1310-1018-](#)
[05](#) [690-024-633-031](#) [UB-20PMFP-LC7001](#) [UA-20BMFA-SL8001](#) [17-200011](#) [USBFTVC7ZC](#) [UB-20AFMM-LL7A01](#) [USBFTVC2MN](#)
[CAP-WCCMLPB1](#) [CAP-WCCMLPC1](#) [1310-1031-01](#) [2041386-1](#)