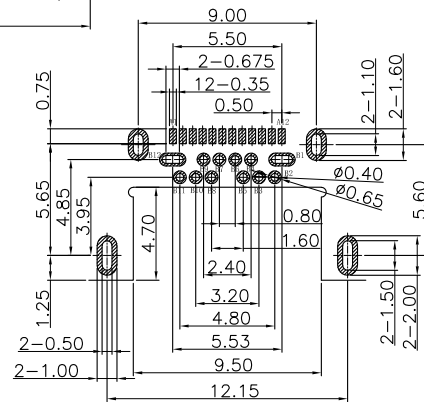
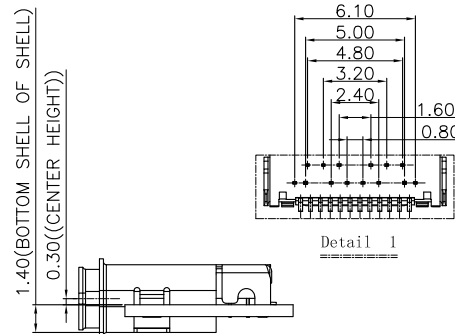
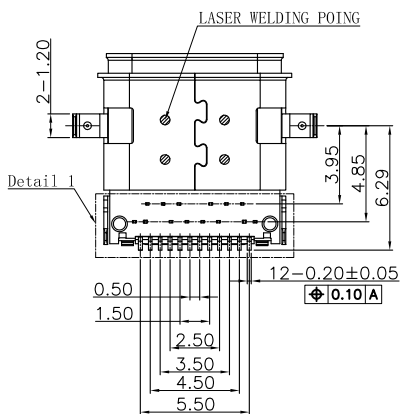


CUSTOMER DRAWING

Pin	Signal Name	Mating Sequence	Pin	Signal Name	Mating Sequence
A1	GND	First	B12	GND	First
A2	SSTxp1	Second	B11	SSRXp1	Second
A3	SSTxn1	Second	B10	SSRXn1	Second
A4	Vms	First	B9	Vms	First
A5	CC1	Second	B8	SBU2	Second
A6	Dn1	Second	B7	Dn2	Second
A7	Dn1	Second	B6	Dp2	Second
A8	SBU1	Second	B5	CC2	Second
A9	Vms	First	B4	Vms	First
A10	SSRXn2	Second	B3	SSTxn2	Second
A11	SSRXp2	Second	B2	SSTxp2	Second
A12	GND	First	B1	GND	First
SHELL	GND		SHELL	GND	



RECOMMENDED P.C.B LAYOUT(Both sides are sample)  
Tolerance:±0.05,Thickness=0.60mm

NOTES:

1. MATERIAL: SEE "TABLE 1";
2. FINISH: SEE "TABLE 1";

3. ELECTRICAL :

- 3-1.CONTACT CURRENT RATING :  
5A(VBUS PIN 1.5A/PIN),  
5A(GND PIN 1.25A/PIN MAX),0.25A/PIN(OTHER PIN).
- 3-2.INSULATION RESISTANCE :  
100 MEGAOHMS MIN. AT 250VDC.
- 3-3.DIELECTRIC WITHSTANDING VOLTAGE :  
100VAC MIN.
- 3-4.LOW LEVEL CONTACT RESISTANCE :  
INITIAL 40mΩ MAX.  
AFTER 50mΩ MAX.
- 3-5.Voltage Rating:20V Max.

4.MECHANICAL CHARACTERISTICS :

- 4-1. MATING FORCE: 5~20N.
- 4-2. UNMATING FORCE: 8~20N(INITIAL),6~20N(AFTER 10000 CYCLES);
- 4-3.DURABILITY : 10,000 MATING CYCLES.
- 4-4.OPERATING TEMPERATURE : -40°C TO +80°C
- 4-5.Salt Spray Test:48H Min.(No oxidation or rust).



RoHS  
Compliant  
2002/95/EC



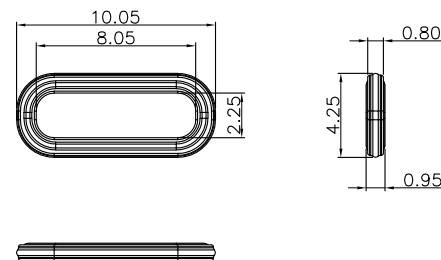
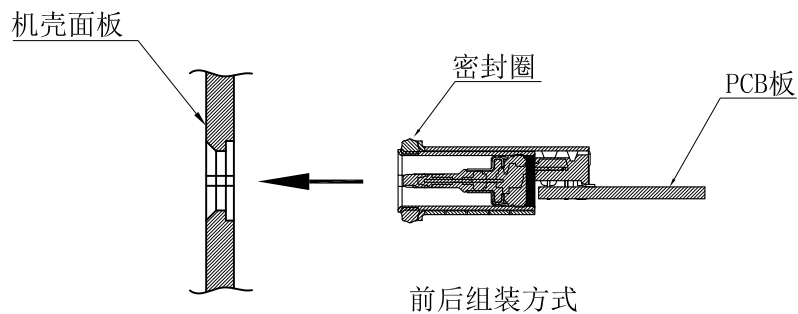
G-Switch Electronic (HongKong) CO.,Ltd.

Unless otherwise specified, Tolerance:  
X. ±0.30  
X.x ±0.20  
X.xx ±0.15  
X.xxx ±0.10  
Angles ±3°

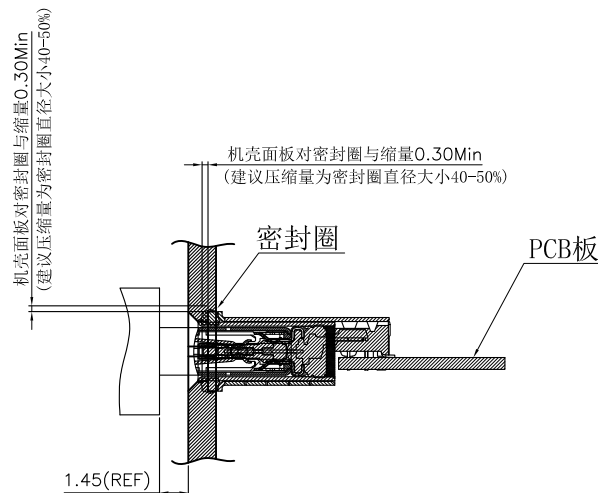
DESIGN Bright Lee DATE 2016.05.29  
CHECKED DATE  
APPROVED DATE  
<http://www.dg-switch.com>  
TEL:0769-82388879

Molde code:  
GT-USB-7021B8  
REV.: X1 SCALE: 4:1 UNIT: mm  
SIZE: A4 SHEET: 1/1

# 建议密封方式



建议防水圈规格 (材质硅橡胶)



组装面板后公母头对插示意图



RoHS  
Compliant  
2002/95/EC



G-Switch Electronic (HongKong) CO.,Ltd.

Unless otherwise specified, Tolerance:  
X. ±0.30  
X.x ±0.20  
X.xx ±0.15  
X.xxx ±0.10  
Angles ±3°

DESIGN Bright Lee DATE 2016.05.29  
CHECKED DATE  
APPROVED DATE  
<http://www.dg-switch.com>  
TEL:0769-82388879

Molde code:  
GT-USB-7021B8  
REV.: X1 SCALE: 4:1 UNIT: mm  
SIZE: A4 SHEET: 1/1

## X-ON Electronics

Largest Supplier of Electrical and Electronic Components

*Click to view similar products for [USB Connectors](#) category:*

*Click to view products by [G-Switch](#) manufacturer:*

Other Similar products are found below :

[950](#) [A-USB B-TOP-C](#) [MUSBA511N5](#) [MUSBC111M5](#) [MUSBD11135](#) [17-200721](#) [217450-1](#) [KMBVX-TH-5S-B30](#) [896-30-004-00-000000](#)  
[KUSBX-AS2N-W](#) [KUSBX-SMT2AP1S-W30](#) [935](#) [957](#) [30-498-6](#) [SK-60A-2](#) [1734082-1](#) [30-1574](#) [30-470](#) [30-489](#) [30-541](#) [A-USB A-2P-C](#)  
[MIKROE-1451](#) [USBFTV2PEM2G](#) [USBFTVSCCG](#) [4689-1](#) [1-1734084-2](#) [MUSBC11135](#) [USBF21ZNSCC](#) [USBBFTV6ZC](#) [MUSBB151341](#)  
[10135326-001LF](#) [M9177/3-1](#) [TJ-105](#) [USB-A-S-F-B-VT](#) [4198](#) [690-024-633-031](#) [UB-20PMFP-LC7001](#) [USBFTVC6MRG](#) [UA-20BMFA-](#)  
[SL8001](#) [17-200011](#) [USBFTVC7ZC](#) [UB-20AFMM-LL7A01](#) [USBFTVC2MN](#) [CAP-WCCMLPB1](#) [1310-1031-01](#) [2041386-1](#) [2274475-3](#) [UB-](#)  
[20BMFA-SL8001](#) [UB-20PMFP-SC8003](#) [914-614A2025S10200](#)