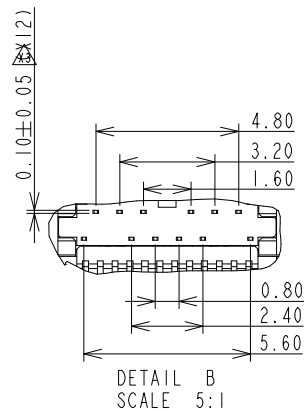


NOTES:

- 1.0. ELECTRICAL CHARACTERISTICS:
 - 1.1. LOW LEVEL CONTACT RESISTANCE:
INITIAL: 40mΩ FOR ALL CONTACT MAX.
AFTER : 50mΩ FOR ALL CONTACT MAX.
 - 1.2. DIELECTRIC WITHSTANDING VOLTAGE:
100 VAC FOR 1 MINUTE SEA LEVEL.
 - 1.3. INSULATION RESISTANCE:
100MΩ MIN.
 - 1.4. CURRENT RATING:
VBUS AND GND CONTACTS RATED AT 1.25A EA.,
PARALLELED FOR A TOTAL OF 5A.
- 2.0. MECHANICAL CHARACTERISTICS:
 - 2.1. INSERTION FORCE: 5 ~ 20N MAX
 - 2.2. EXTRACTION FORCE:
DURABILITY 1-1000 CYCLES 8N MIN. 20 N MAX.
DURABILITY 1001-10000 CYCLES 6N MIN. 20 N MAX.
 - 2.3. DURABILITY : 10,000 CYCLES
- 3.0 OPERATING TEMPERATURE: -55°C TO +85°



PART NUMBER	DIM A	DIM B
GT-USB-7029A	1.20	1.40
GT-USB-7029B	1.60	1.80
GT-USB-7029C	1.40	1.40

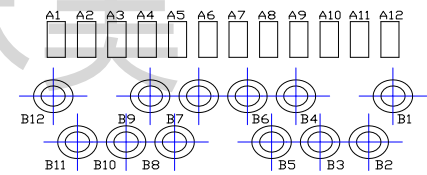
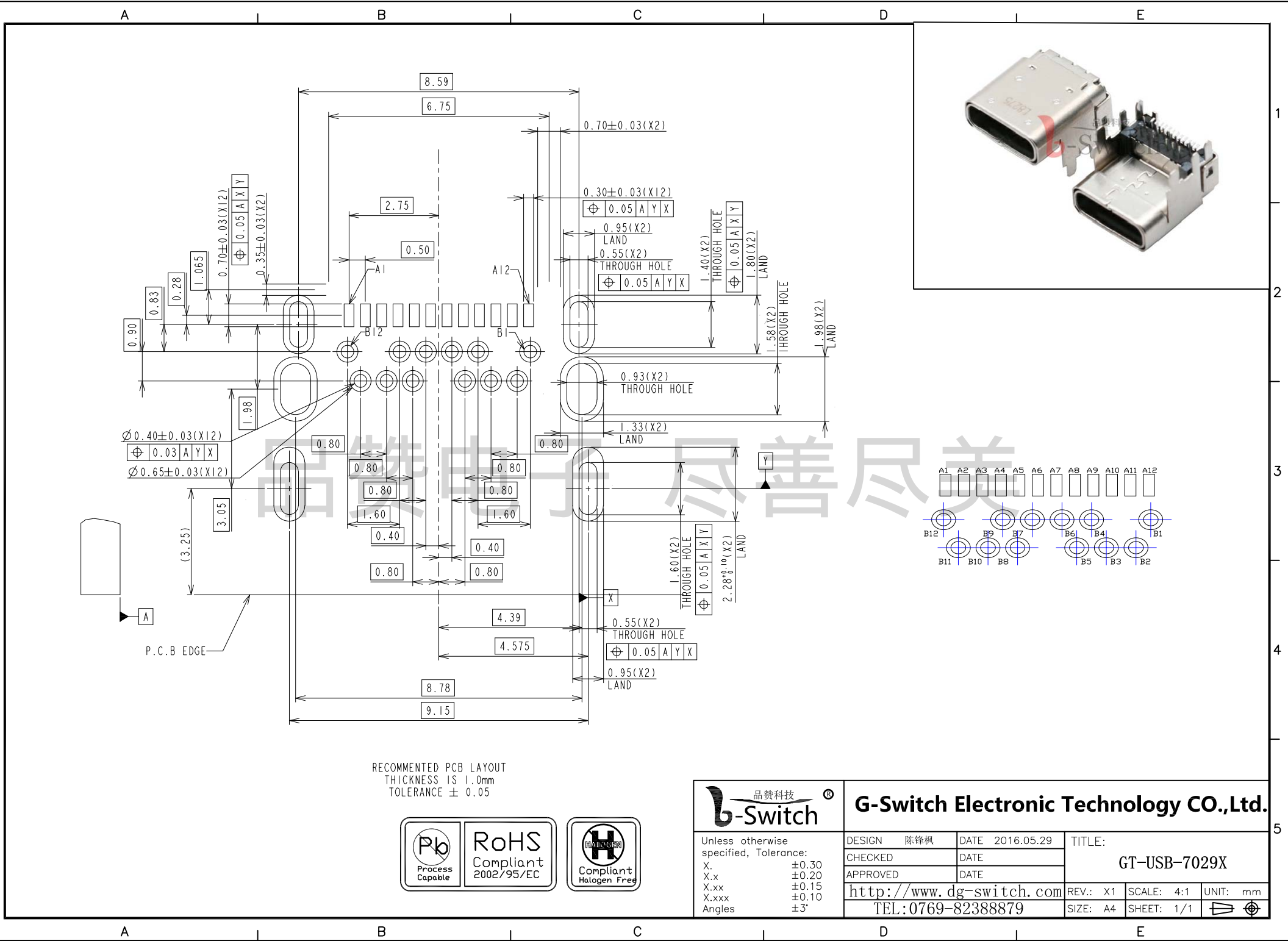


G-Switch Electronic Technology CO.,Ltd.

Unless otherwise specified, Tolerance:
 X. ±0.30
 X.x ±0.20
 X.xx ±0.15
 X.xxx ±0.10
 Angles ±3°

DESIGN 陈锋枫 DATE 2016.05.29
 CHECKED DATE
 APPROVED DATE
<http://www.dg-switch.com>
 TEL:0769-82388879

TITLE:
 GT-USB-7029X
 REV.: X1 SCALE: 4:1 UNIT: mm
 SIZE: A4 SHEET: 1/1



RECOMMENDED PCB LAYOUT
 THICKNESS IS 1.0mm
 TOLERANCE ± 0.05



G-Switch Electronic Technology CO.,Ltd.

Unless otherwise specified, Tolerance:
 X. ±0.30
 X.x ±0.20
 X.xx ±0.15
 X.xxx ±0.10
 Angles ±3°

DESIGN 陈锋枫 DATE 2016.05.29
 CHECKED DATE
 APPROVED DATE
<http://www.dg-switch.com>
 TEL:0769-82388879

TITLE:
GT-USB-7029X
 REV.: X1 SCALE: 4:1 UNIT: mm
 SIZE: A4 SHEET: 1/1

X-ON Electronics

Largest Supplier of Electrical and Electronic Components

Click to view similar products for [USB Connectors](#) category:

Click to view products by [G-Switch](#) manufacturer:

Other Similar products are found below :

[950](#) [A-USB A-LP-SMT-C](#) [A-USB B-TOP-C](#) [MUSBA511N5](#) [MUSBC111M5](#) [MUSBD11135](#) [17-200721](#) [217450-1](#) [KMBVX-TH-5S-B30](#)
[896-30-004-00-000000](#) [KUSBX-AS2N-W](#) [KUSBX-SMT2AP1S-W30](#) [935](#) [957](#) [30-498-6](#) [SK-60A-2](#) [1734082-1](#) [30-1574](#) [30-470](#) [30-489](#) [30-](#)
[541](#) [30-572-3](#) [A-USB A-2P-C](#) [MIKROE-1451](#) [USBFTV2PEM2G](#) [USBFTVSCCG](#) [4689-1](#) [1-1734084-2](#) [MUSBC11135](#) [USBF21ZNSCC](#)
[USBBFTV6ZC](#) [MUSBB151341](#) [10135326-001LF](#) [M9177/3-1](#) [TJ-105](#) [USB-A-S-F-B-VT](#) [4198](#) [690-024-633-031](#) [UB-20PMFP-LC7001](#)
[USBFTVC6MRG](#) [UA-20BMFA-SL8001](#) [17-200011](#) [USBFTVC7ZC](#) [UB-20AFMM-LL7A01](#) [USBFTVC2MN](#) [CAP-WCCMLPB1](#) [1310-](#)
[1031-01](#) [2041386-1](#) [2274475-3](#) [UB-20BMFA-SL8001](#)