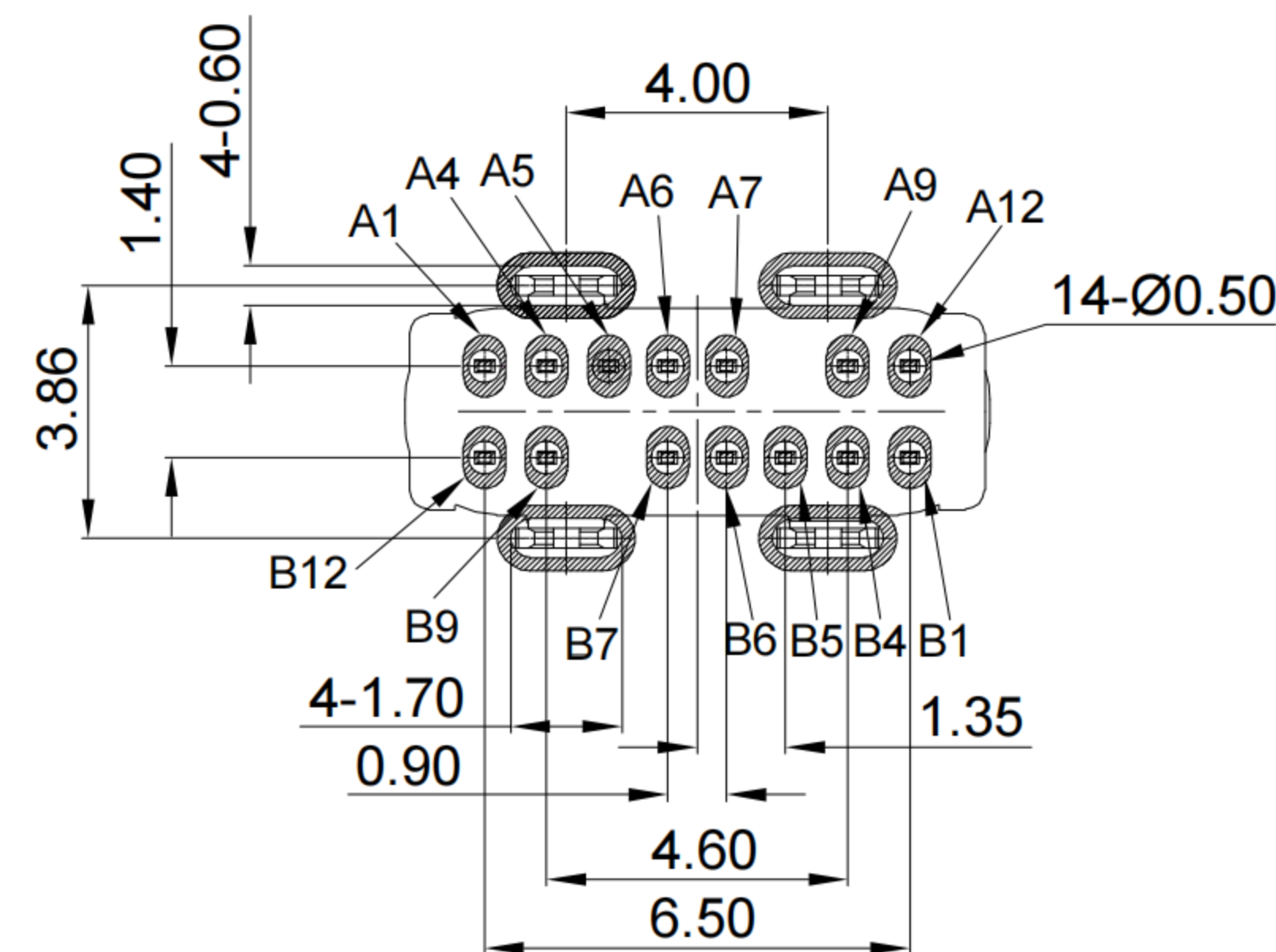
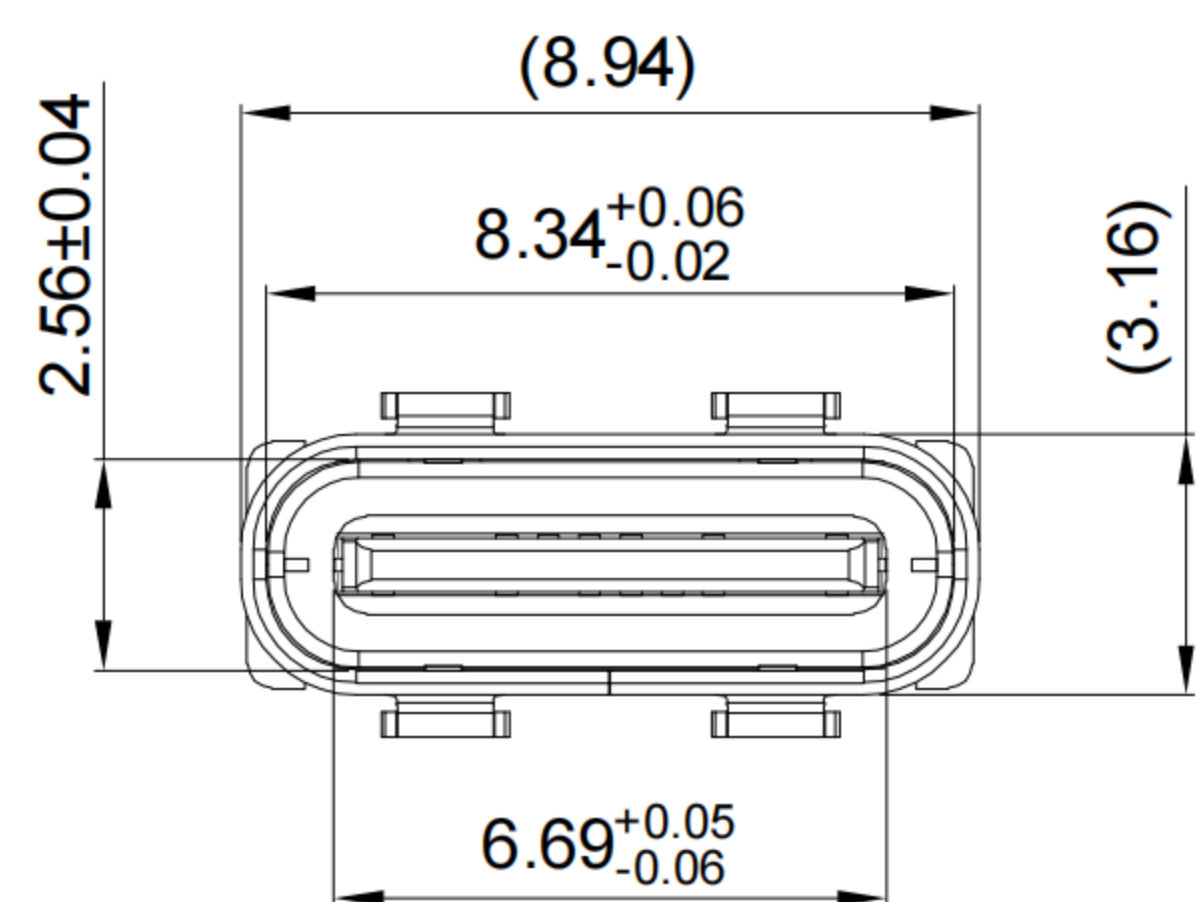


SECTION A-A



RECOMMENDED P.C.B. LAYOUT  
TOLERANCE ±0.05mm

**G-Switch USB-C Specification:**

1. Current rated: 5A on Vbus/1.25A on Vconn/0.25A on other  
Voltage rating: 24V AC
2. Withstanding voltage: 100V AC/minute
3. Contact Resistance: 40mΩ Max
4. Insulation Resistance: 100MΩ Min
5. Operating temperature: -40 °C ~ +85 °C
6. Mating force: 5N~20N
7. Unmating force: 8N~20N
8. Durability Cycle: 10,000 Cycles

|       |     |     |       |        |        |        |        |       |     |     |       |
|-------|-----|-----|-------|--------|--------|--------|--------|-------|-----|-----|-------|
| A1    | A2  | A3  | A4    | A5     | A6     | A7     | A8     | A9    | A10 | A11 | A12   |
| GND   |     |     | VBUS  | CC1    | D+     | D-     |        | VBUS  |     |     | GND   |
| First |     |     | First | Second | Second | Second |        | First |     |     | First |
| B12   | B11 | B10 | B9    | B8     | B7     | B6     | B5     | B4    | B3  | B2  | B1    |
| GND   |     |     | VBUS  |        | D-     | D+     | CC2    | VBUS  |     |     | GND   |
| First |     |     | First |        | Second | Second | Second | First |     |     | First |

|     |              |                          |                            |
|-----|--------------|--------------------------|----------------------------|
| 1   | SHELL        | STAINLESS STEEL          | Ni PLATED                  |
| 2   | MIDDLE PLATE | STAINLESS STEEL          | -                          |
| 3   | HOUSING      | HIGH TEMPERATURE PLASTIC | Black UL 94 V-0            |
| 4   | TERMINALS    | COPPER ALLOY             | Au PLATING ON CONTACT AREA |
| NO. | PARTS        | MATERIAL                 | REMARKS                    |



SCALE: 3:1 UNIT: mm  
SIZE: A4

Unless otherwise  
General Tolerance:  
X. ±0.25  
X.x ±0.20  
X.xx ±0.15  
X.xxx ±0.10  
X° ±5°

Title: Vertical Type-c 14P Female  
DIP H=10.0mm

Molde Code: GT-USB-7035C

|       |         |          |            |
|-------|---------|----------|------------|
| DRAWN | CHECKED | APPROVED | DATE       |
| Xia   | Chen    | Chen     | 2023.02.01 |



REV: A0 SHEET: 1/1



## X-ON Electronics

Largest Supplier of Electrical and Electronic Components

*Click to view similar products for [USB Connectors](#) category:*

*Click to view products by [G-Switch](#) manufacturer:*

Other Similar products are found below :

[950](#) [MUSBD11135](#) [17-200721](#) [217450-1](#) [KMBVX-TH-5S-B30](#) [KUSBX-AS2N-W](#) [KUSBX-SMT2AP1S-W30](#) [935](#) [957](#) [30-498-6](#) [SK-60A-2](#)  
[1734082-1](#) [30-470](#) [30-489](#) [30-541](#) [A-USB A-2P-C](#) [MIKROE-1451](#) [USBFTVSCCG](#) [1-1734084-2](#) [10135326-001LF](#) [4198](#) [USB-A-D-VT](#)  
[USB-A-S-RA-TSMT](#) [1310-1023-02](#) [690-024-633-031](#) [UB-20PMFP-LC7001](#) [17-200011](#) [UB-20AFMM-LL7A01](#) [1040870124](#) [CAP-](#)  
[WCCMLPB1](#) [CAP-WCCMLPC1](#) [2274475-3](#) [UB-20BMFA-SL8001](#) [914-614A2025S10200](#) [USB3FTV7SAGF059](#) [ZX40-B-5S-1500-](#)  
[STDA\(30\)](#) [GSB3116344HR](#) [USB3FTV2SAZNF459](#) [USB3FTV7SAZNF459](#) [U221-041N-1WVS62-F5D](#) [HYCW153-USBD05-500B](#)  
[HYCW219-USBD05-075B](#) [HYCW148-USBD05-117B](#) [HYCW149-USBD05-740B](#) [HYCW204-USBD05-108B](#) [HYCW214-USBA04-113B](#)  
[HYCW213-USBA04-113B](#) [UB-20AMFM-SL7A01](#) [KMMX-BSMT35S-1-B30TR](#) [2345986-1](#)