

RECOMMENDED P.C.B. LAYOUT (T:1.00mm)
TOLERANCE UNSPECIFIED ±0.05mm
SCALE: 1:1

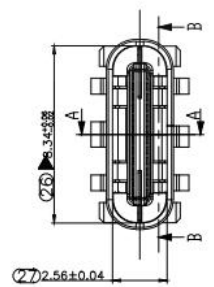
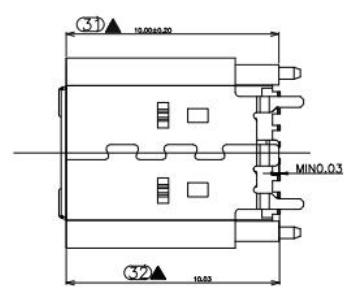
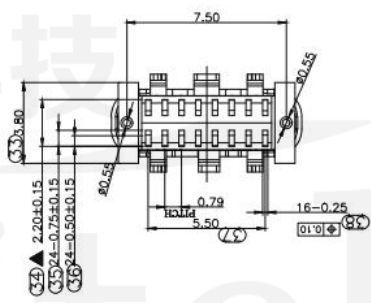
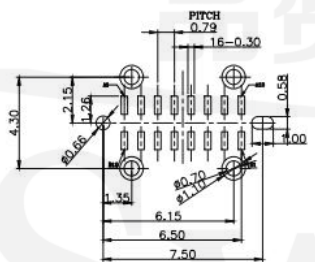
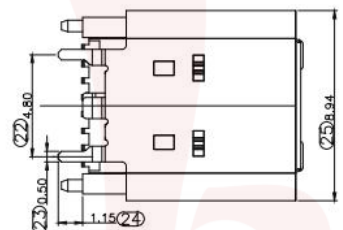
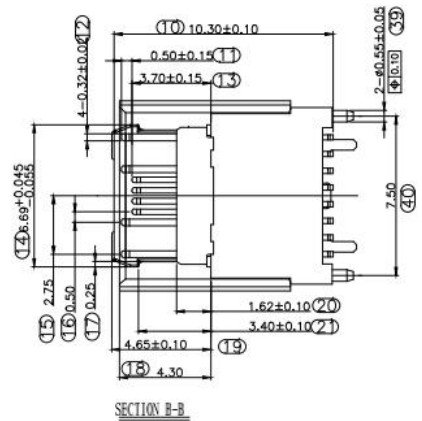
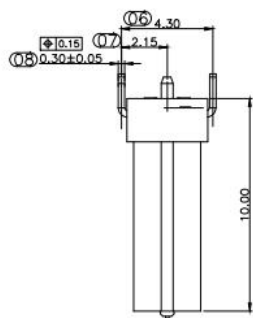
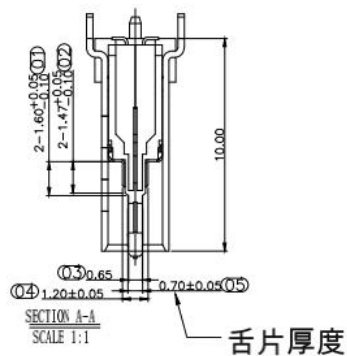
| Pin | Signal Name | Description | Pin | Signal Name | Description |
|-----|-------------|---|-----|-------------|---|
| A1 | GND | Ground return | B12 | GND | Ground return |
| A4 | Vcc | Bus Power | B9 | Vcc | Bus Power |
| A5 | CC1 | Configuration Channel | B8 | SRM2 | Sideband (SR) |
| A6 | Dp1 | Positive half of the USB 2.0 differential pair-Position 1 | B7 | Dm2 | Negative half of the USB 2.0 differential pair-Position 2 |
| A7 | Dn1 | Negative half of the USB 2.0 differential pair-Position 1 | B6 | Dp2 | Positive half of the USB 2.0 differential pair-Position 2 |
| A8 | SRM1 | Sideband (SR) | B5 | CC2 | Configuration Channel |
| A9 | Vcc | Bus Power | B4 | Vcc | Bus Power |
| A12 | GND | Ground return | B1 | GND | Ground return |

- 备注:
- 1, 材质: 外壳: SUS304 1/2H T=0.30±0.01mm;
护套: SUS316L 140-160 T=0.10±0.01mm;
端子: C7025 T=0.12±0.01mm;
胶芯: 热塑性塑胶LCP, 黑色。
中夹片: SUS304 H T=0.15±0.01mm;
 - 2, 电镀: 外壳: 全表面镀镍100u" Min.
端子: 镍底80~100u", 镀雾锡100~120u" Min.
 - 3, 外观不允许有压伤, 脏污, 模痕, 错位等现象;
 - 4, 盐雾测试需过24H以上;
 - 5, 连接逢错位0.03mmMax, 不能有变形;
 - 6, 有"CPK"标志的需做制程稳定控制;
 - 7, 有" "标志的尺寸为QIP检验尺寸;
 - 8, 有" "标志的尺寸为FAI检验尺寸;
 - 9, 产品符合USB 协会标准。



G-Switch Electronic (HongKong) CO.,Ltd.

| | | | | |
|--|--------------------------|-----------------|--------------|------------|
| Unless otherwise specified, Tolerance: X. ±0.30 X.x ±0.20 X.xx ±0.15 X.xxx ±0.10 Angles ±3' | DESIGN FengFengChen | DATE 2019.05.29 | Molde code: | |
| | CHECKED | DATE | GT-USB-7051A | |
| | APPROVED | DATE | | |
| | http://www.dg-switch.com | | REV.: X1 | SCALE: 4:1 |
| TEL:0769-82388879 | SIZE: A4 | SHEET: 1/1 | | |



| Signal Name | Description | Signal Name | Description |
|-------------|---|-------------|--------------------------------------|
| | Ground return | | Ground return |
| Yes | Bus Power | Yes | Bus Power |
| CC1 | Configuration Channel | SBR2 | Sideband Tse (SBR) |
| Dp1 | Positive half of the USB 2.0 differential pair-Position 1 | Dm2 | USB 2.0 differential pair-Position 2 |
| Dm1 | Negative half of the USB 2.0 differential pair-Position 1 | Dp2 | USB 2.0 differential pair-Position 2 |
| SBR1 | Sideband Tse(SBR) | BS | CC2 Configuration Channel |
| Yes | Bus Power | Yes | Bus Power |
| GNB | Ground return | GNB | Ground return |

- 备注:
- 1, 材质: 外壳: SUS304 1/2H T=0.30±0.01mm; 护套: SUS316L 140~160 T=0.10±0.01mm; 端子: C7025 T=0.12±0.01mm; 胶芯: 热塑性塑胶 LCP, 黑色。 中夹片: SUS304 H T=0.15±0.01mm;
 - 2, 电镀: 外壳: 全表面镀镍100u" Min. 端子: 镍底80~100u", 镀雾锡100~120u" Min.
 - 3, 外观不允许有压伤, 脏污, 模痕, 错位等现象;
 - 4, 盐雾测试需过24H以上;
 - 5, 连接处错位0.03mmMax, 不能有变形;
 - 6, 有"CPK"标志的需做制程稳定控制;
 - 7, 有" "标志的尺寸为QIP检验尺寸;
 - 8, 有" "标志的尺寸为FAI检验尺寸;
 - 9, 产品符合USB 协会标准。



G-Switch Electronic (HongKong) CO.,Ltd.

| | | | | |
|--|---|-----------------|--------------|----------|
| Unless otherwise specified, Tolerance: X. ±0.30 X.x ±0.20 X.xx ±0.15 X.xxx ±0.10 Angles ±3' | DESIGN FengFengChen | DATE 2019.05.29 | Molde code: | |
| | CHECKED | DATE | GT-USB-7051B | |
| | APPROVED | DATE | | |
| | http://www.dg-switch.com | REV.: X1 | SCALE: 4:1 | UNIT: mm |
| TEL:0769-82388879 | SIZE: A4 | SHEET: 1/1 | | |

X-ON Electronics

Largest Supplier of Electrical and Electronic Components

Click to view similar products for [USB Connectors](#) category:

Click to view products by [G-Switch](#) manufacturer:

Other Similar products are found below :

[950](#) [A-USB B-TOP-C](#) [MUSBA511N5](#) [MUSBC111M5](#) [MUSBD11135](#) [17-200721](#) [217450-1](#) [KMBVX-TH-5S-B30](#) [896-30-004-00-000000](#)
[KUSBX-AS2N-W](#) [KUSBX-SMT2AP1S-W30](#) [935](#) [957](#) [30-498-6](#) [SK-60A-2](#) [1734082-1](#) [30-1574](#) [30-470](#) [30-489](#) [30-541](#) [30-572-3](#) [A-USB](#)
[A-2P-C](#) [MIKROE-1451](#) [USBFTV2PEM2G](#) [USBFTVSCCG](#) [4689-1](#) [1-1734084-2](#) [MUSBC11135](#) [USBF21ZNSCC](#) [USBBFTV6ZC](#)
[MUSBB151341](#) [10135326-001LF](#) [M9177/3-1](#) [TJ-105](#) [USB-A-S-F-B-VT](#) [4198](#) [690-024-633-031](#) [UB-20PMFP-LC7001](#) [USBFTVC6MRG](#)
[UA-20BMFA-SL8001](#) [17-200011](#) [USBFTVC7ZC](#) [UB-20AFMM-LL7A01](#) [USBFTVC2MN](#) [CAP-WCCMLPB1](#) [1310-1031-01](#) [2041386-1](#)
[2274475-3](#) [UB-20BMFA-SL8001](#) [UB-20PMFP-SC8003](#)