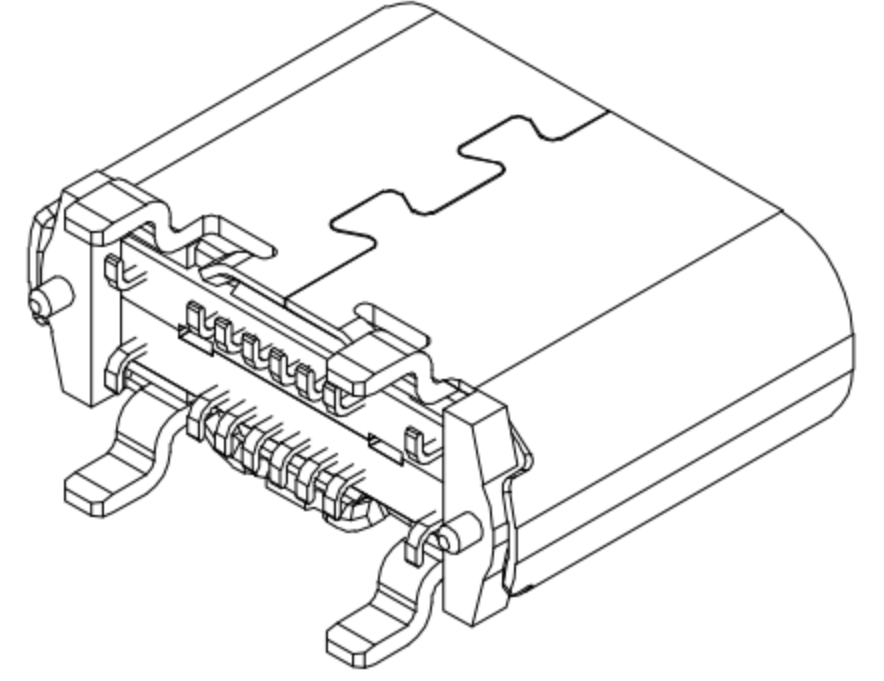
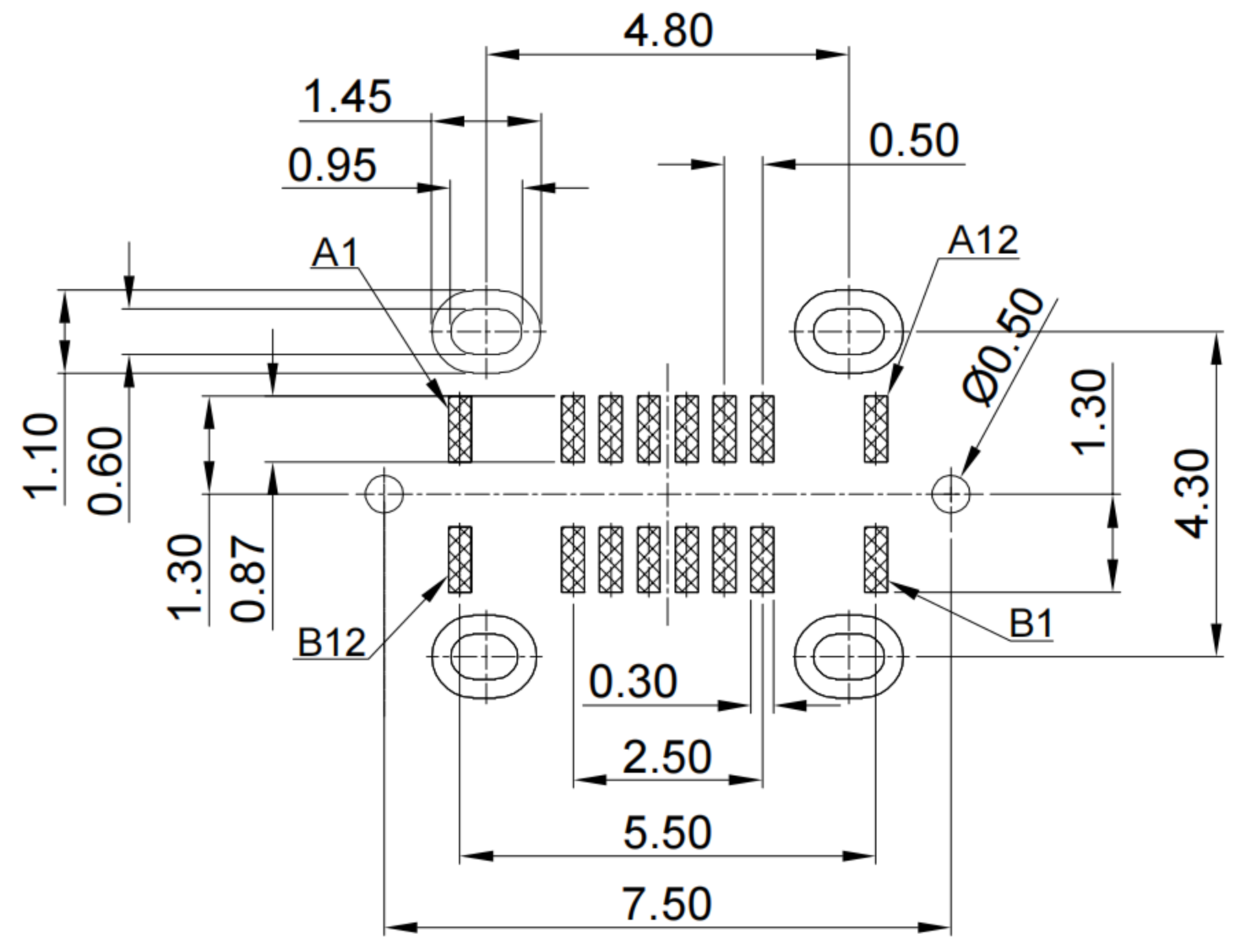
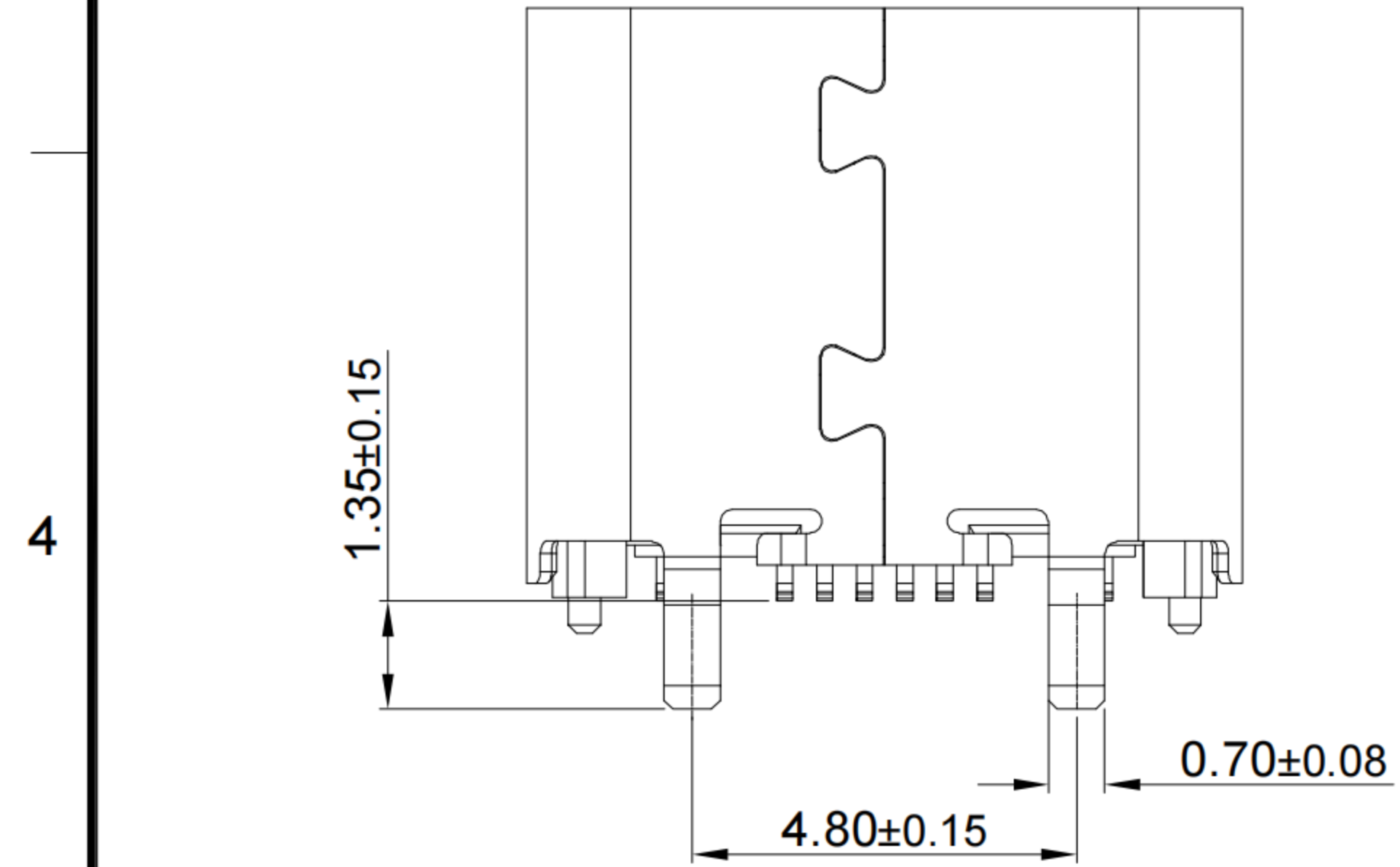


- G-Switch USB-C Specification:**
1. Current rated: 5A on Vbus/1.25A on Vconn/0.25A on other
Voltage rating: 24V AC
 2. Withstanding voltage: 100V AC/minute
 3. Contact Resistance: 40mΩ Max
 4. Insulation Resistance: 100MΩ Min
 5. Operating temperature: -40 °C ~ +85 °C
 6. Mating force: 5N~20N
 7. Unmating force: 8N~20N
 8. Durability Cycle: 10,000 Cycles



| | | | | | | | | | | | |
|-------|-----|-----|-------|--------|--------|--------|--------|-------|-----|-----|-------|
| A1 | A2 | A3 | A4 | A5 | A6 | A7 | A8 | A9 | A10 | A11 | A12 |
| GND | | | VBUS | CC1 | D+ | D- | SBU1 | VBUS | | | GND |
| First | | | First | Second | Second | Second | Second | First | | | First |
| B12 | B11 | B10 | B9 | B8 | B7 | B6 | B5 | B4 | B3 | B2 | B1 |
| GND | | | VBUS | SBU2 | D- | D+ | CC2 | VBUS | | | GND |
| First | | | First | Second | Second | Second | Second | First | | | First |

| | | | |
|-----|-----------|--------------------------|----------------------------|
| 1 | SHELL | STAINLESS STEEL SUS304 | Ni PLATED |
| 2 | MID PLATE | STAINLESS STEEL SUS301 | |
| 3 | HOUSING | HIGH TEMPERATURE PLASTIC | LCP BLACK UL 94 V-0 |
| 4 | TERMINALS | COPPER ALLOY C7025 | Au Plating On Contact Area |
| 5 | CAP | HIGH TEMPERATURE PLASTIC | LCP BLACK UL 94 V-0 |
| NO. | PARTS | MATERIAL | REMARKS |

RECOMMENDED PCB LAYOUT
TOLERANCE: ±0.05



SCALE: 1:1 UNIT: mm
SIZE: A4

Title: Vertical Type-c 16P Female
SMT H=7.4mm

Unless otherwise
General Tolerance:
X. ±0.40
X.x ±0.30
X.xx ±0.20
X.xxx ±0.10
Angles ±5°

Molde Code: GT-USB-7055F

| | | | |
|-------|---------|----------|------------|
| DRAWN | CHECKED | APPROVED | DATE |
| Xia | Chen | Chen | 2022.12.13 |



REV: A0 SHEET: 1/1

X-ON Electronics

Largest Supplier of Electrical and Electronic Components

Click to view similar products for [USB Connectors](#) category:

Click to view products by [G-Switch](#) manufacturer:

Other Similar products are found below :

[950](#) [MUSBD11135](#) [17-200721](#) [217450-1](#) [KMBVX-TH-5S-B30](#) [KUSBX-AS2N-W](#) [KUSBX-SMT2AP1S-W30](#) [935](#) [957](#) [30-498-6](#) [SK-60A-2](#)
[1734082-1](#) [30-470](#) [30-489](#) [30-541](#) [A-USB A-2P-C](#) [MIKROE-1451](#) [USBFTVSCCG](#) [1-1734084-2](#) [10135326-001LF](#) [4198](#) [USB-A-D-VT](#)
[USB-A-S-RA-TSMT](#) [1310-1023-02](#) [690-024-633-031](#) [UB-20PMFP-LC7001](#) [17-200011](#) [UB-20AFMM-LL7A01](#) [1040870124](#) [CAP-](#)
[WCCMLPB1](#) [CAP-WCCMLPC1](#) [2274475-3](#) [UB-20BMFA-SL8001](#) [914-614A2025S10200](#) [USB3FTV7SAGF059](#) [ZX40-B-5S-1500-](#)
[STDA\(30\)](#) [GSB3116344HR](#) [USB3FTV2SAZNF459](#) [USB3FTV7SAZNF459](#) [U221-041N-1WVS62-F5D](#) [HYCW153-USBD05-500B](#)
[HYCW219-USBD05-075B](#) [HYCW148-USBD05-117B](#) [HYCW149-USBD05-740B](#) [HYCW204-USBD05-108B](#) [HYCW214-USBA04-113B](#)
[HYCW213-USBA04-113B](#) [UB-20AMFM-SL7A01](#) [KMMX-BSMT35S-1-B30TR](#) [2345986-1](#)