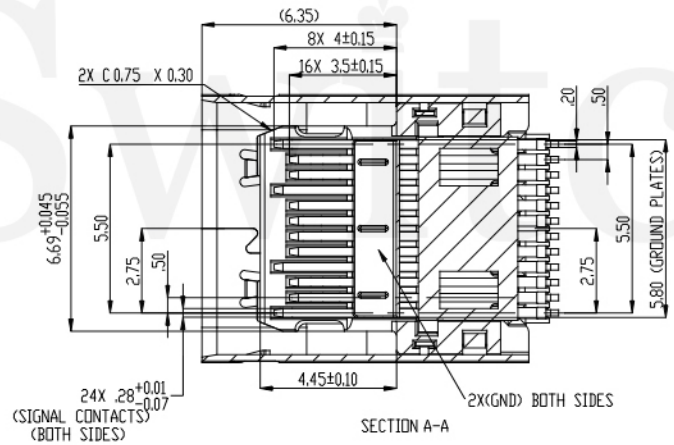
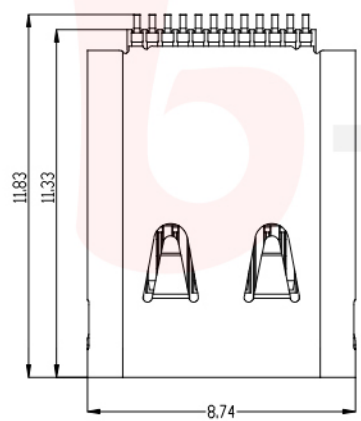


品赞科技

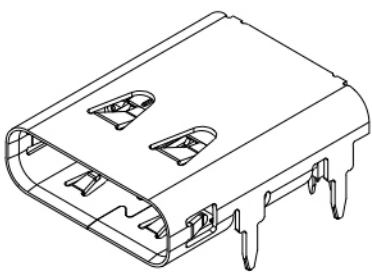


**SPECIFICATION**

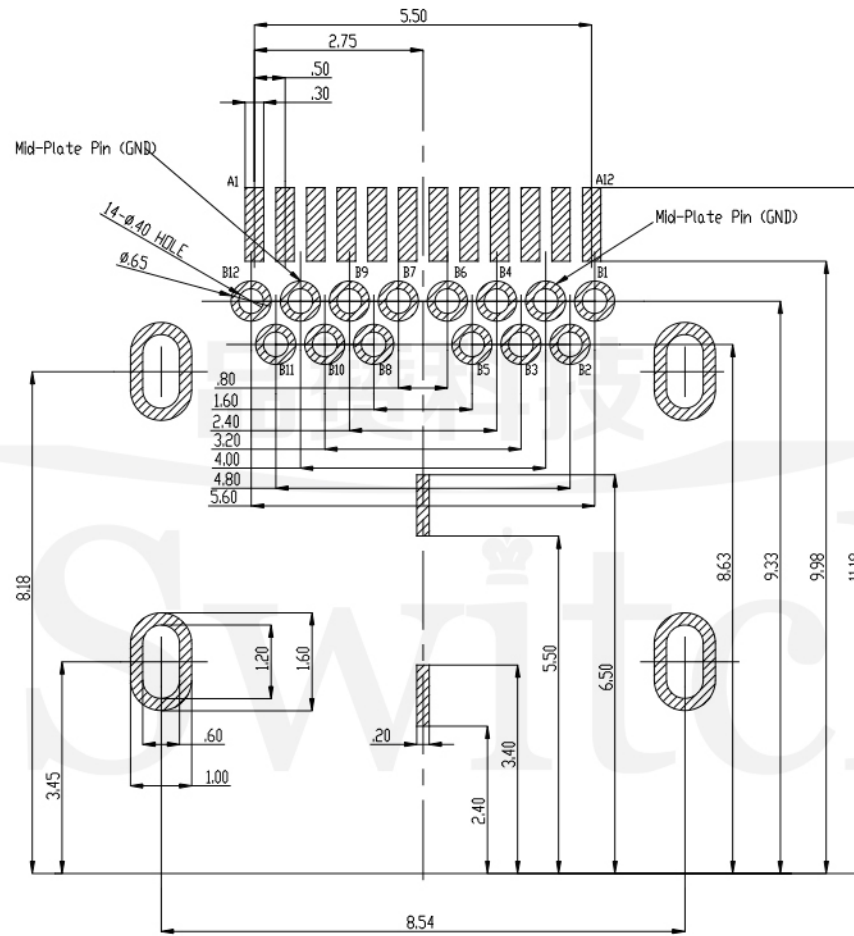
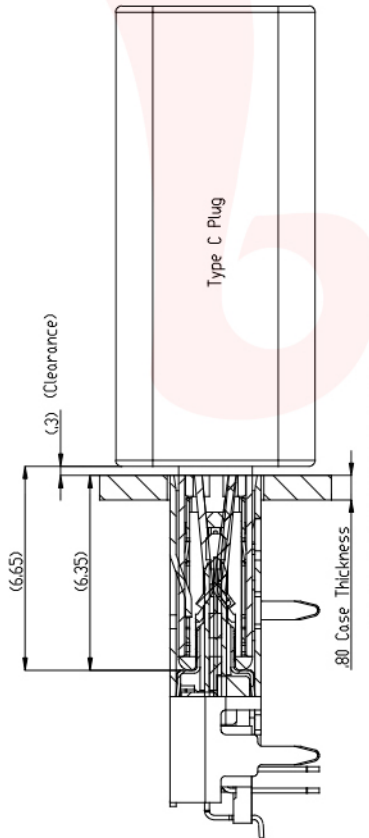
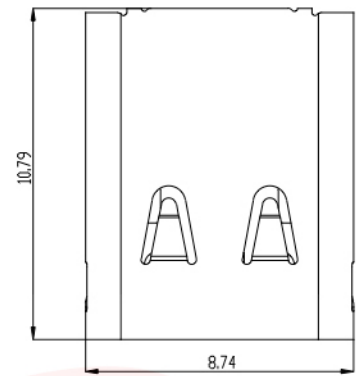
**MATERIAL**  
 Insulator: Thermoplastic, Black  
 Contacts: BRASS  
 Shell: Stainless Steel  
**CONTACT PLATING**  
 Underplate: 40u"~80u" Nickel  
 Contact area: 30u" Pd-Ni+2u" Selective gold,  
 Solder tails area: 100u"~200u" Tin (Lead Free)  
**ELECTRICAL**  
 Operation voltage: 20 V  
 Current rating: 5 Amps max.  
 Insulation resistance: 100 Mohms min @ 100 VDC  
 Dielectric withstanding voltage: 100 VAC / minute  
 Temperature range: -55° C TO +85° C  
 Mating cycles: 10,000 insertions

**Part no.**

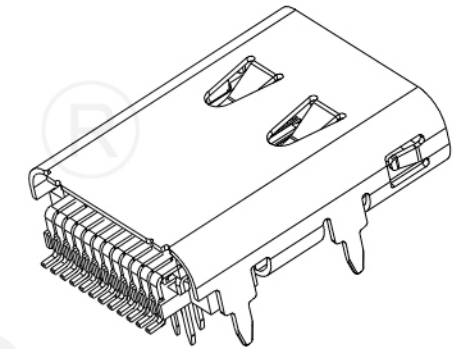
1. SERIES NO.  
317=USB Series
2. J=SMT+DIP Type
3. GREEN OPTION:  
--General  
D=RoHS2 (Matte)  
(Halogen Free)
4. CONTACT NUMBER:  
24=24 PINS
5. CONTACT TYPE:  
B=FEMALE (LCP)
6. CONTACT AREA PLATING:  
Z=30u" Pd Ni+2u" GOLD
7. SOLDER TAILS AREA PLATING:  
T=100u"~200u" TIN (Lead Free)
8. APPLY TYPE:  
F3= Socket
9. SHELL PLATING:  
K=Ni-Plated (W/O Rear Cover)
10. 1=W/O Rear masking sheet (PCB 1.00mm)  
3=W/O Rear masking sheet (PCB 1.60mm)  
5=W/O Rear masking sheet (PCB 1.00mm)+  
7=W/O Rear masking sheet (PCB 1.60mm)+
11. PACKING STYLE:  
A=TRAY  
C=Tape&Reel
12. INSULATOR COLOR:  
3=Black  
C=Black+Date Code



 品赞科技® <b>b-Switch</b>	<b>G-Switch Electronic (HongKong) CO.,Ltd.</b>		
	Unless otherwise specified, Tolerance: X.           ±0.30 X.x          ±0.20 X.xx         ±0.15 X.xxx        ±0.10 Angles       ±3°	DESIGN FengFengChen CHECKED           DATE APPROVED          DATE	DATE 2020.05.29 Molde code: <b>GT-USB-7056</b>
<a href="http://www.dg-switch.com">http://www.dg-switch.com</a> TEL:0769-82388879			



Recommended PCB LAYOUT  
 TOLANCE  $\pm 0.05$   
 PCB Thickness = 1.0 For 1.50 Solder tail  
 1.6 For 1.90 Solder tail



USB TYPE -C Pin Assignments

Pin Number	Signal Name	Pin Number	Signal Name
A1	GND	B12	GND
A2	SSTXp1	B11	SSRXp1
A3	SSTXn1	B10	SSRXn1
A4	VBUS	B9	VBUS
A5	CC1	B8	SBU2
A6	Dp1	B7	Dn2
A7	Dn1	B6	Dp2
A8	SBU1	B5	CC2
A9	VBUS	B4	VBUS
A10	SSRXn2	B3	SSTXn2
A11	SSRXp2	B2	SSTXp2
A12	GND	B1	GND



G-Switch Electronic (HongKong) CO.,Ltd.

Unless otherwise specified, Tolerance:  
 X.            $\pm 0.30$   
 X.x          $\pm 0.20$   
 X.xx        $\pm 0.15$   
 X.xxx       $\pm 0.10$   
 Angles      $\pm 3^\circ$

DESIGN FengFengChen   DATE 2020.05.29  
 CHECKED                   DATE  
 APPROVED                 DATE  
<http://www.dg-switch.com>  
 TEL:0769-82388879

Molde code:  
**GT-USB-7056**  
 REV.: X1   SCALE: 4:1   UNIT: mm  
 SIZE: A4   SHEET: 1/1

## X-ON Electronics

Largest Supplier of Electrical and Electronic Components

*Click to view similar products for [USB Connectors](#) category:*

*Click to view products by [G-Switch](#) manufacturer:*

Other Similar products are found below :

[950](#) [A-USB A-LP-SMT-C](#) [A-USB B-TOP-C](#) [MUSBA511N5](#) [MUSBC111M5](#) [MUSBD11135](#) [17-200721](#) [217450-1](#) [KMBVX-TH-5S-B30](#)  
[896-30-004-00-000000](#) [KUSBX-AS2N-W](#) [KUSBX-SMT2AP1S-W30](#) [935](#) [957](#) [30-498-6](#) [SK-60A-2](#) [1734082-1](#) [30-1574](#) [30-470](#) [30-489](#) [30-](#)  
[541](#) [30-572-3](#) [A-USB A-2P-C](#) [MIKROE-1451](#) [USBFTV2PEM2G](#) [USBFTVSCCG](#) [4689-1](#) [1-1734084-2](#) [MUSBC11135](#) [USBF21ZNSCC](#)  
[USBBFTV6ZC](#) [MUSBB151341](#) [10135326-001LF](#) [M9177/3-1](#) [TJ-105](#) [USB-A-S-F-B-VT](#) [4198](#) [690-024-633-031](#) [UB-20PMFP-LC7001](#)  
[USBFTVC6MRG](#) [UA-20BMFA-SL8001](#) [17-200011](#) [USBFTVC7ZC](#) [UB-20AFMM-LL7A01](#) [USBFTVC2MN](#) [CAP-WCCMLPB1](#) [1310-](#)  
[1031-01](#) [2041386-1](#) [2274475-3](#) [UB-20BMFA-SL8001](#)