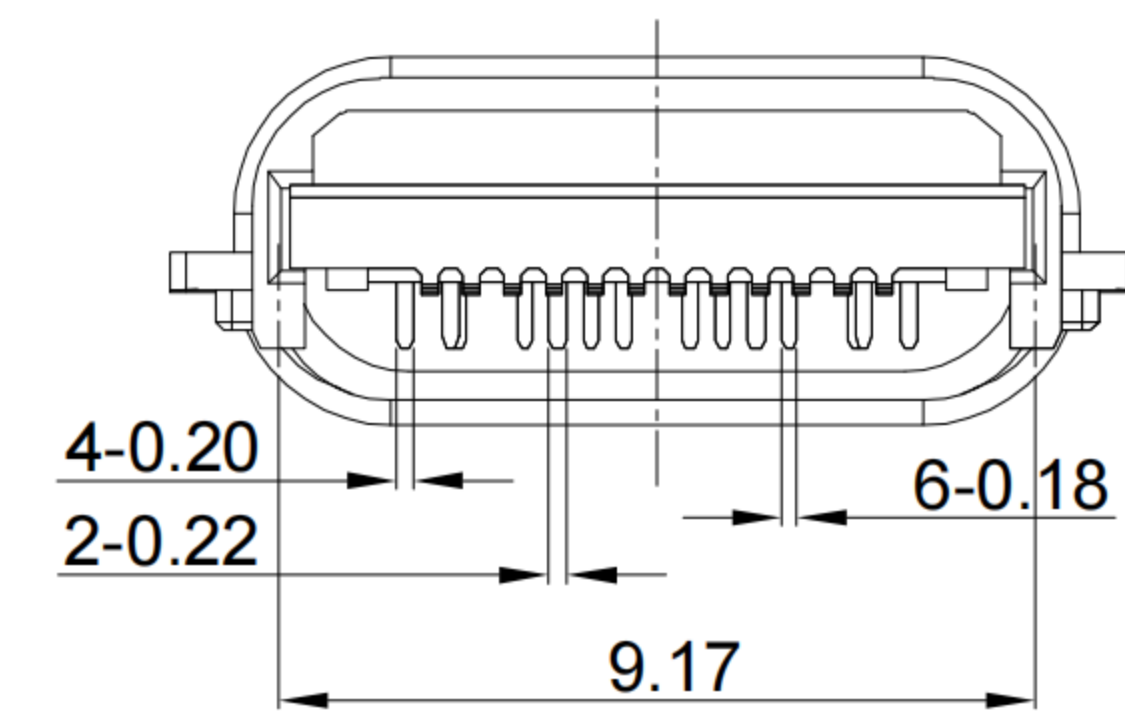
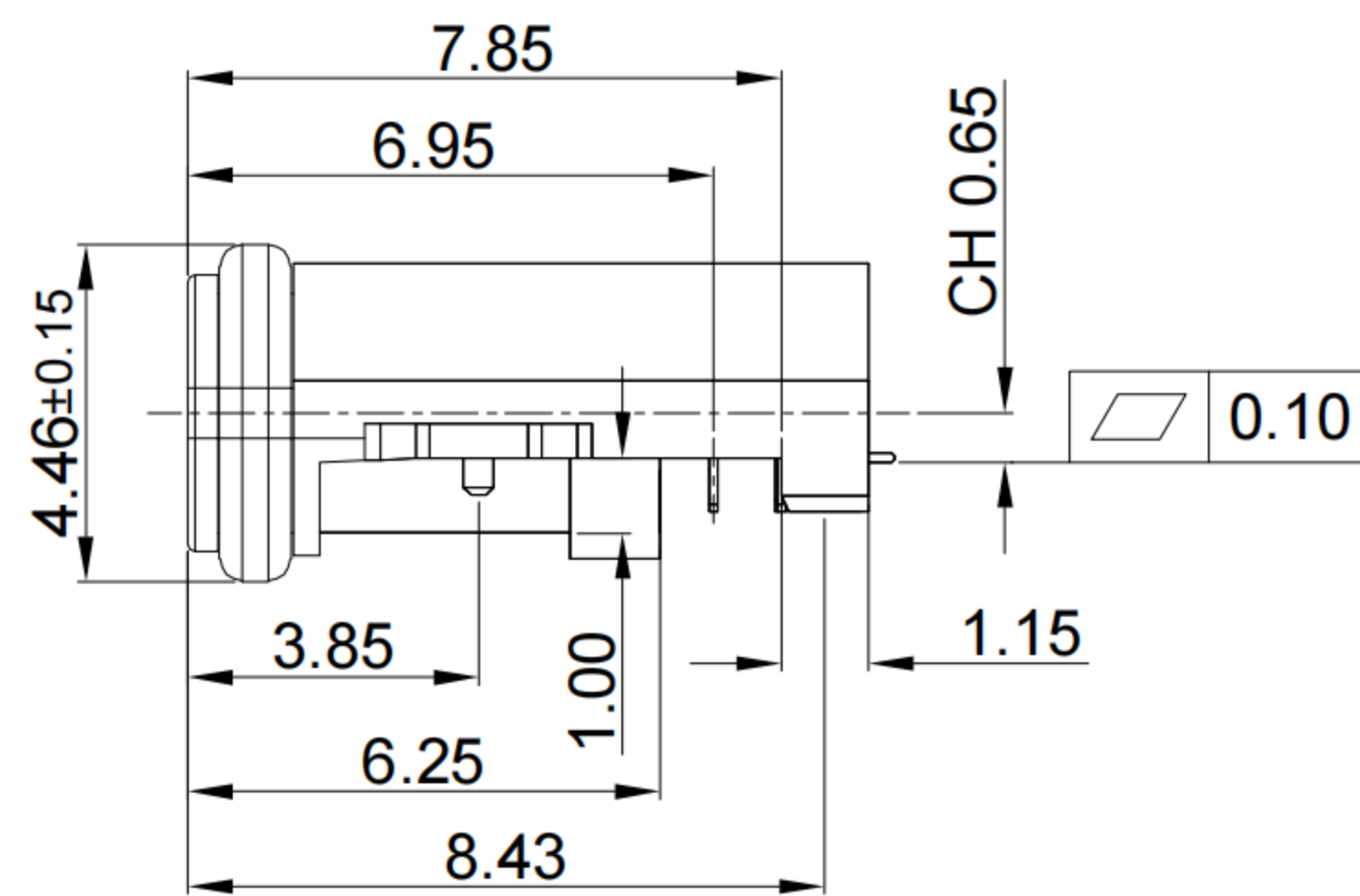
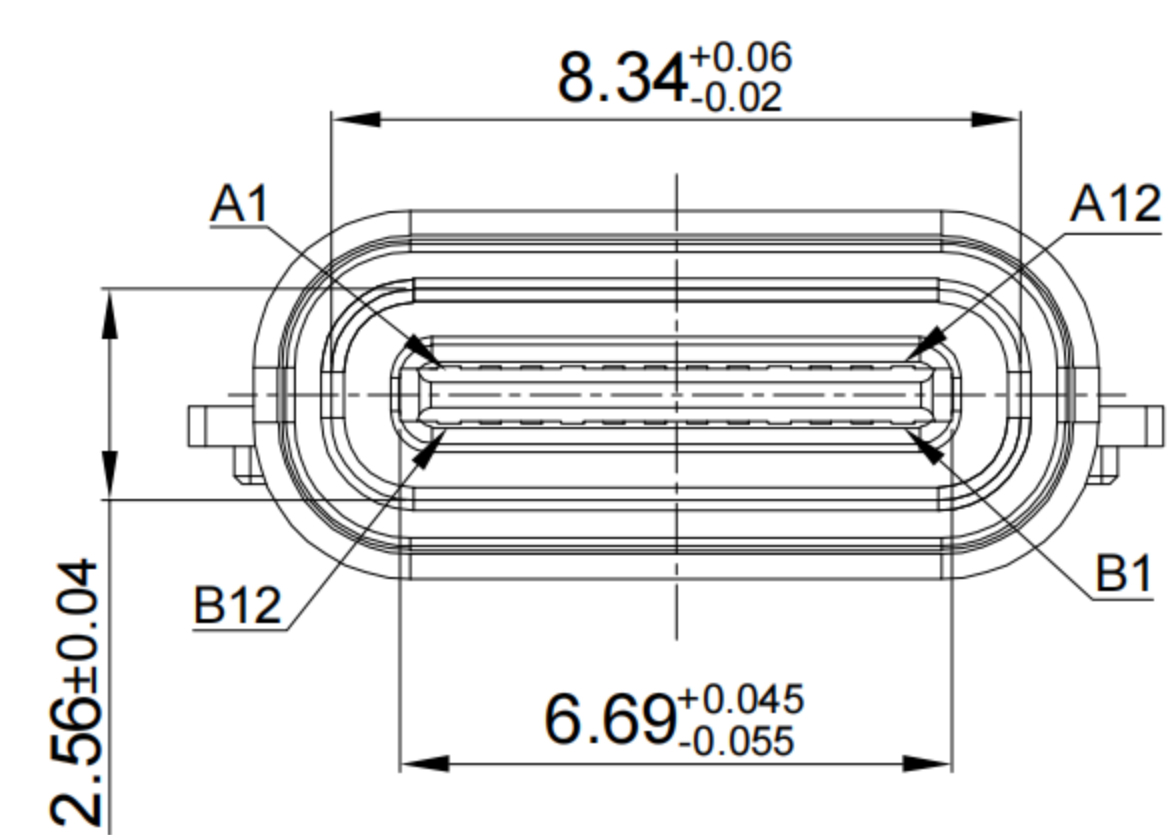
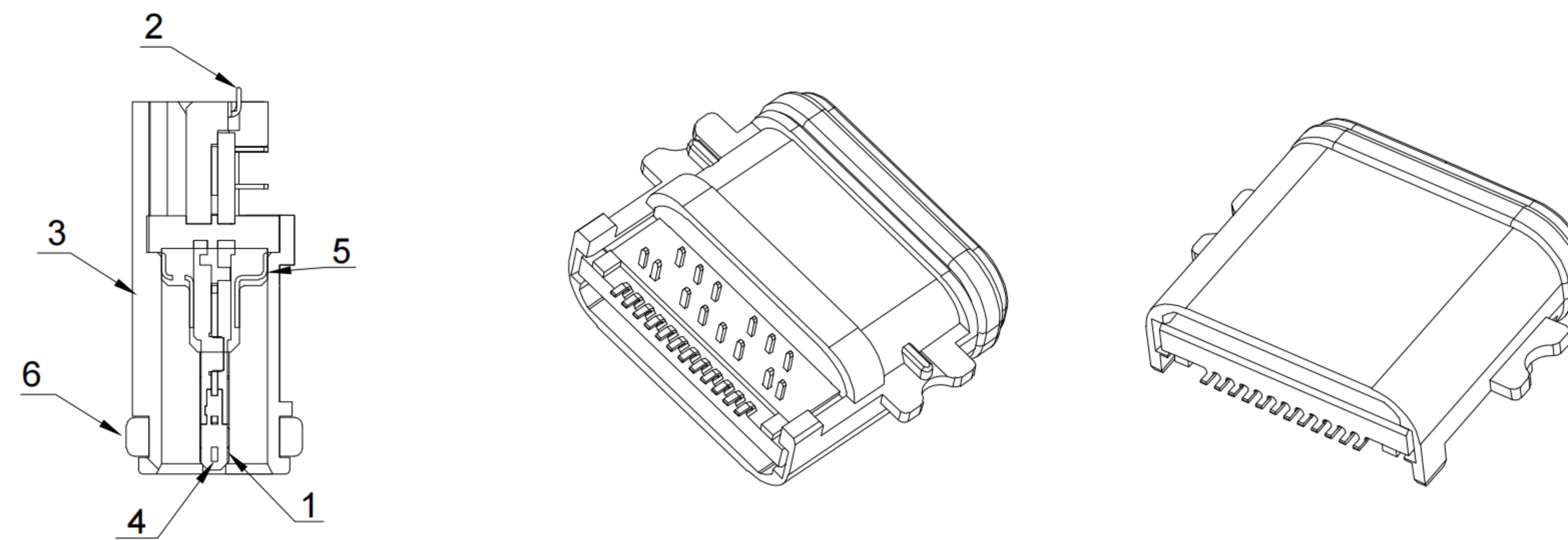
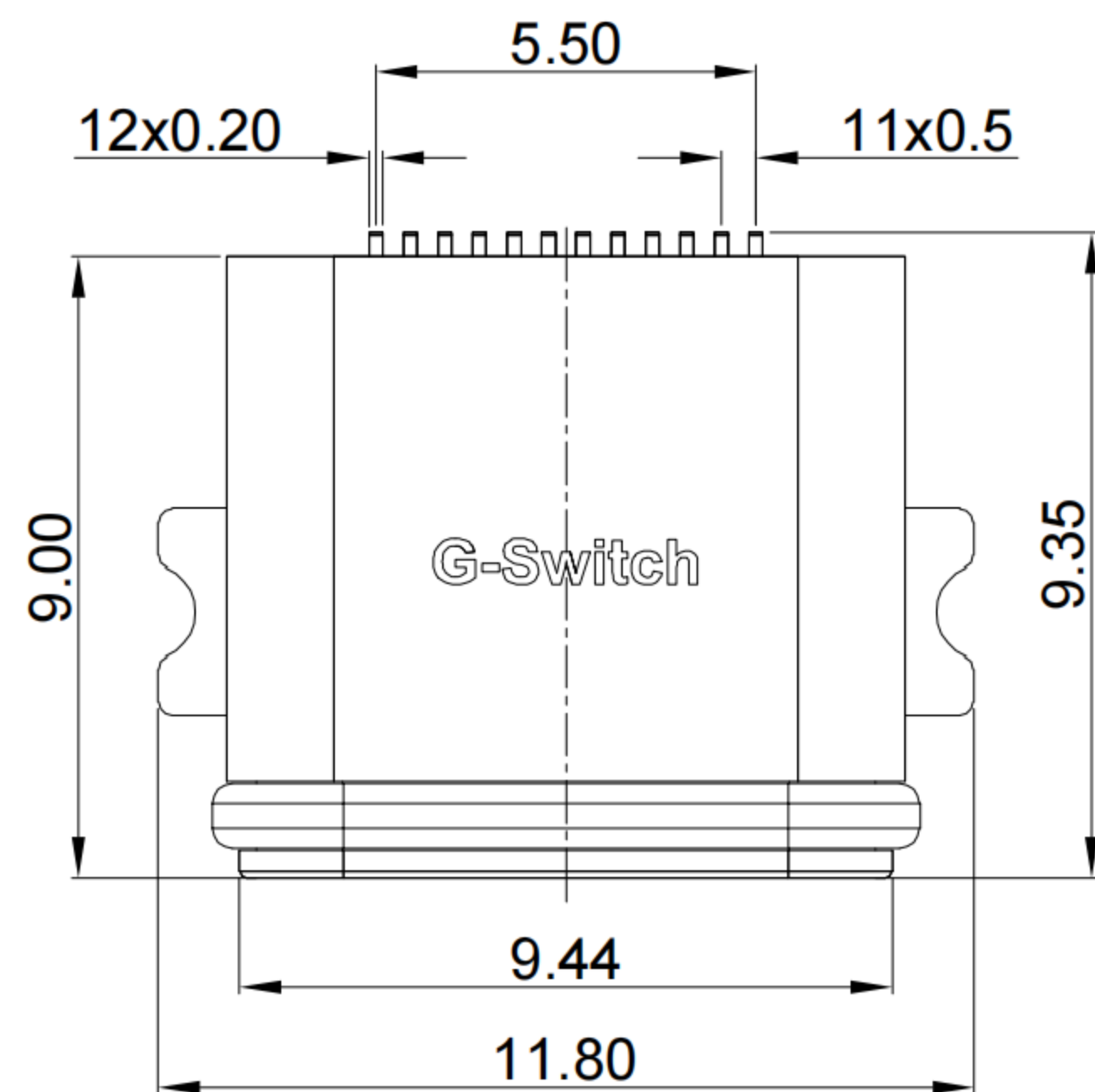
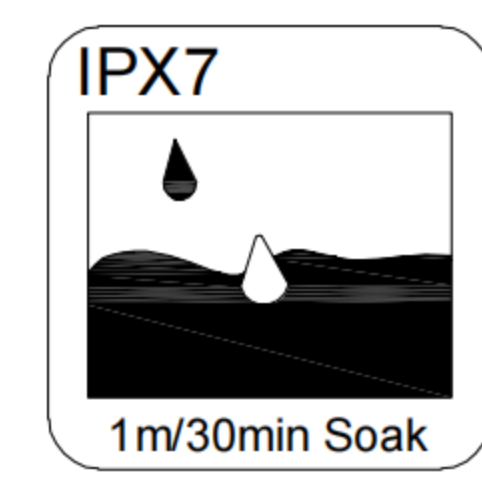
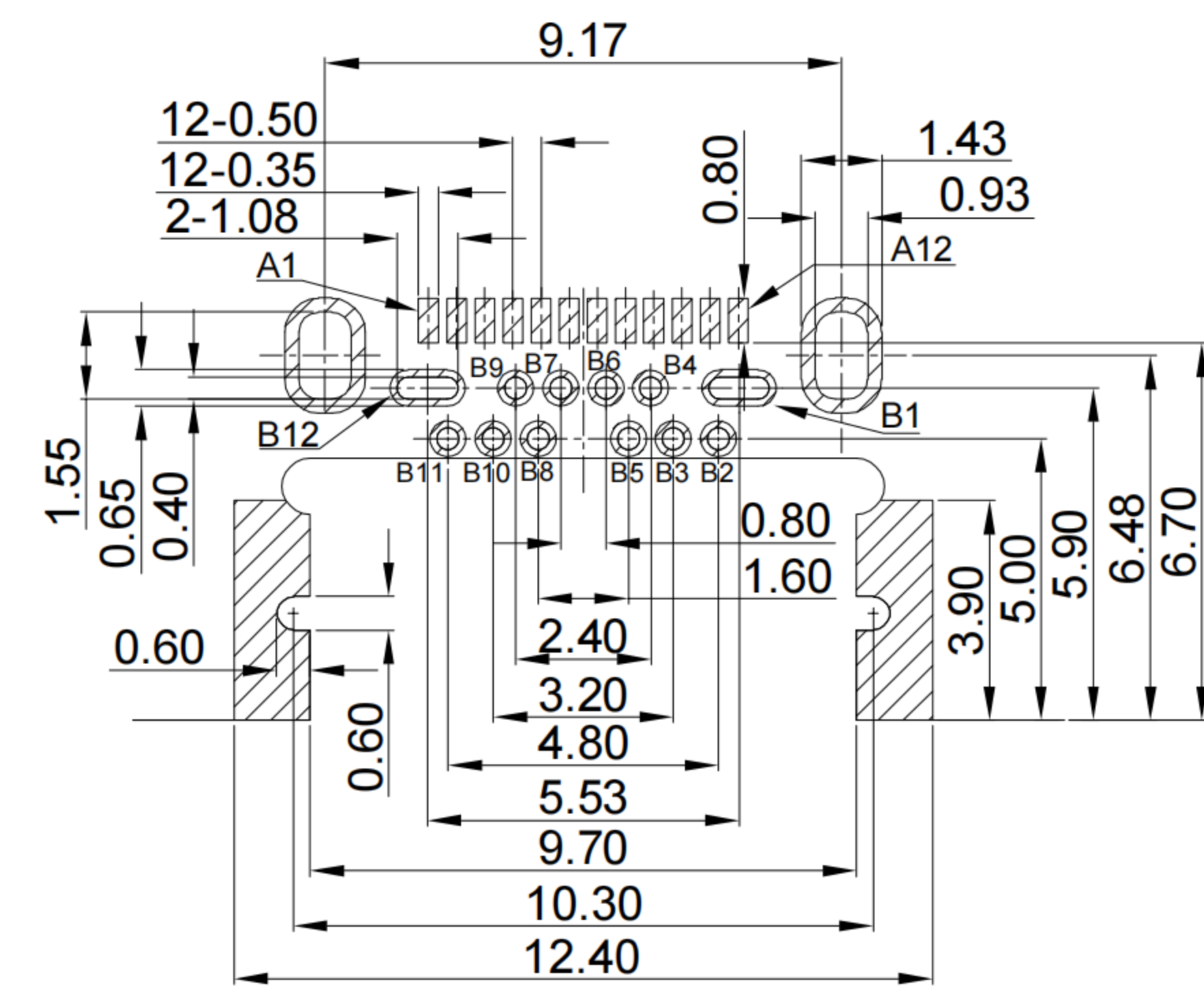
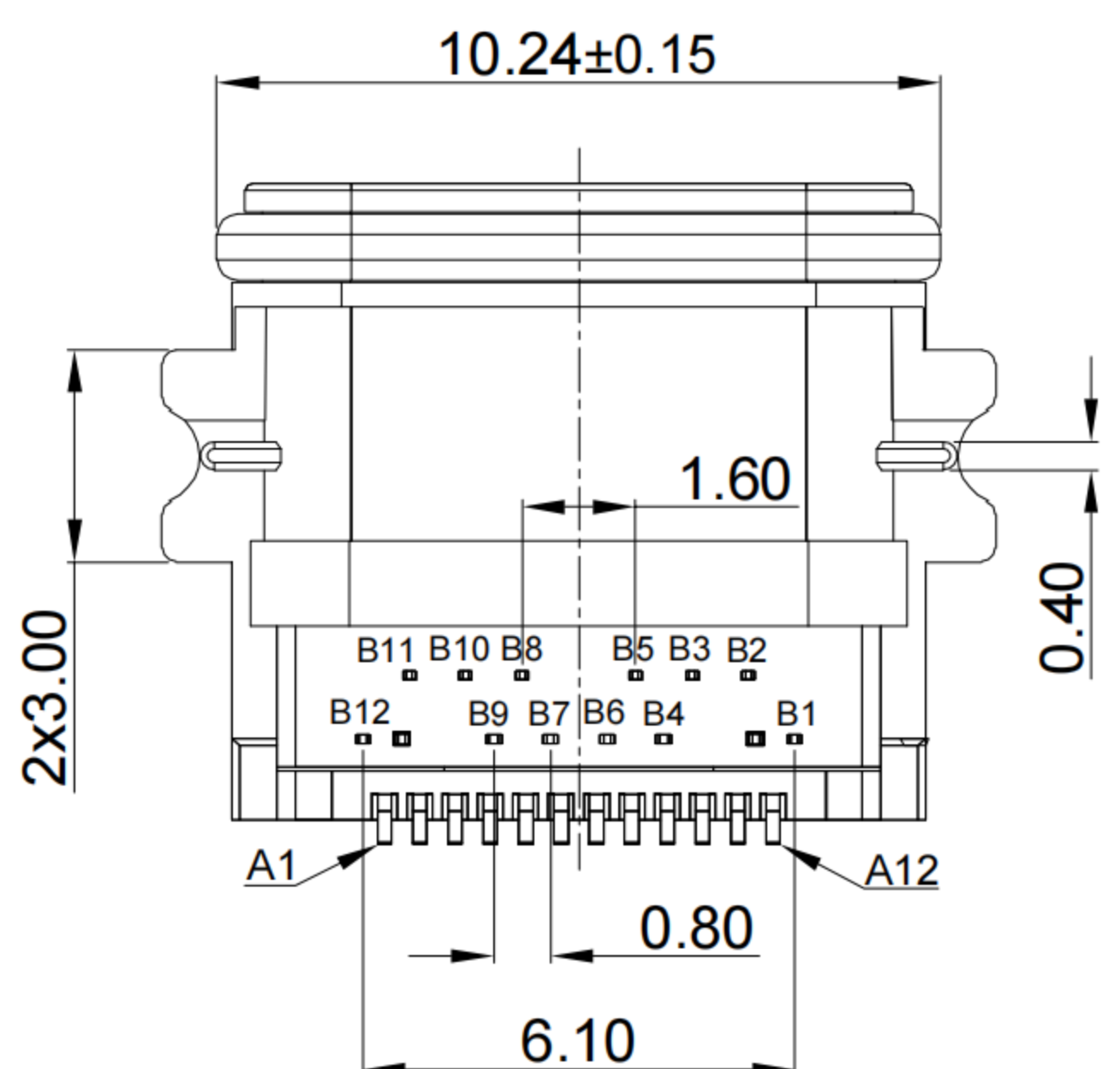


1
2
3
4
5



G-Switch USB-C Specification:

- 1.Current rated: 5A on Vbus/1.25A on Vconn/0.25A on other
Voltage rating: 24V AC
- 2.Withstanding voltage: 100V AC/minute
- 3.Contact Resistance: 40mΩ Max
- 4.Insulation Resistance: 100MΩ Min
- 5.Operating temperature: -40 °C ~ +85 °C
- 6.Mating force: 5N~20N
- 7.Unmating force: 8N~20N
- 8.Durability Cycle: 10,000 Cycles
- 9.Data transmission rate up to 5Gbp/s
- 10.Waterproof Grade: IP-X7.



RECOMMENDED PCB LAYOUT
TOLERANCE:±0.05

A1	A2	A3	A4	A5	A6	A7	A8	A9	A10	A11	A12
GND	TX+	TX-	VBUS	CC1	D+	D-	SBU1	VBUS	RX2-	RX2+	GND
First	Second	Second	First	Second	Second	Second	Second	First	Second	Second	First

B12	B11	B10	B9	B8	B7	B6	B5	B4	B3	B2	B1
GND	RX+	RX-	VBUS	SBU2	D-	D+	CC2	VBUS	TX2-	TX2+	GND
First	Second	Second	First	Second	Second	Second	Second	First	Second	Second	First

1	HOUSING	HIGH TEMPERATURE PLASTIC	BLACK UL 94 V-0
2	TERMINALS	COPPER ALLOY	Au PLATING ON CONTACT AREA
3	SHELL	ZN-ALLOY	NI PLATED
4	GND PLANT	STAINLESS STEEL	NI PLATED
5	MID PLATE	STAINLESS STEEL	---
6	WATERPROOF RING	SILICA GEL	---
NO.	PARTS	MATERIAL	REMARKS



SCALE: 3:1 UNIT: mm
SIZE: A4

Unless otherwise
General Tolerance:
X. ±0.25
X.x ±0.20
X.xx ±0.15
X.xxx ±0.10
Angles ±5°

Title: Horizontal Type-c 24P Female Sink1.0 CH=0.65 L=9.0mm

Molde Code: GT-USB-7062

DRAWN	CHECKED	APPROVED	DATE
Xia	Chen	Chen	2022.12.06



REV: A0 SHEET: 1/2

A

B

C

D

E

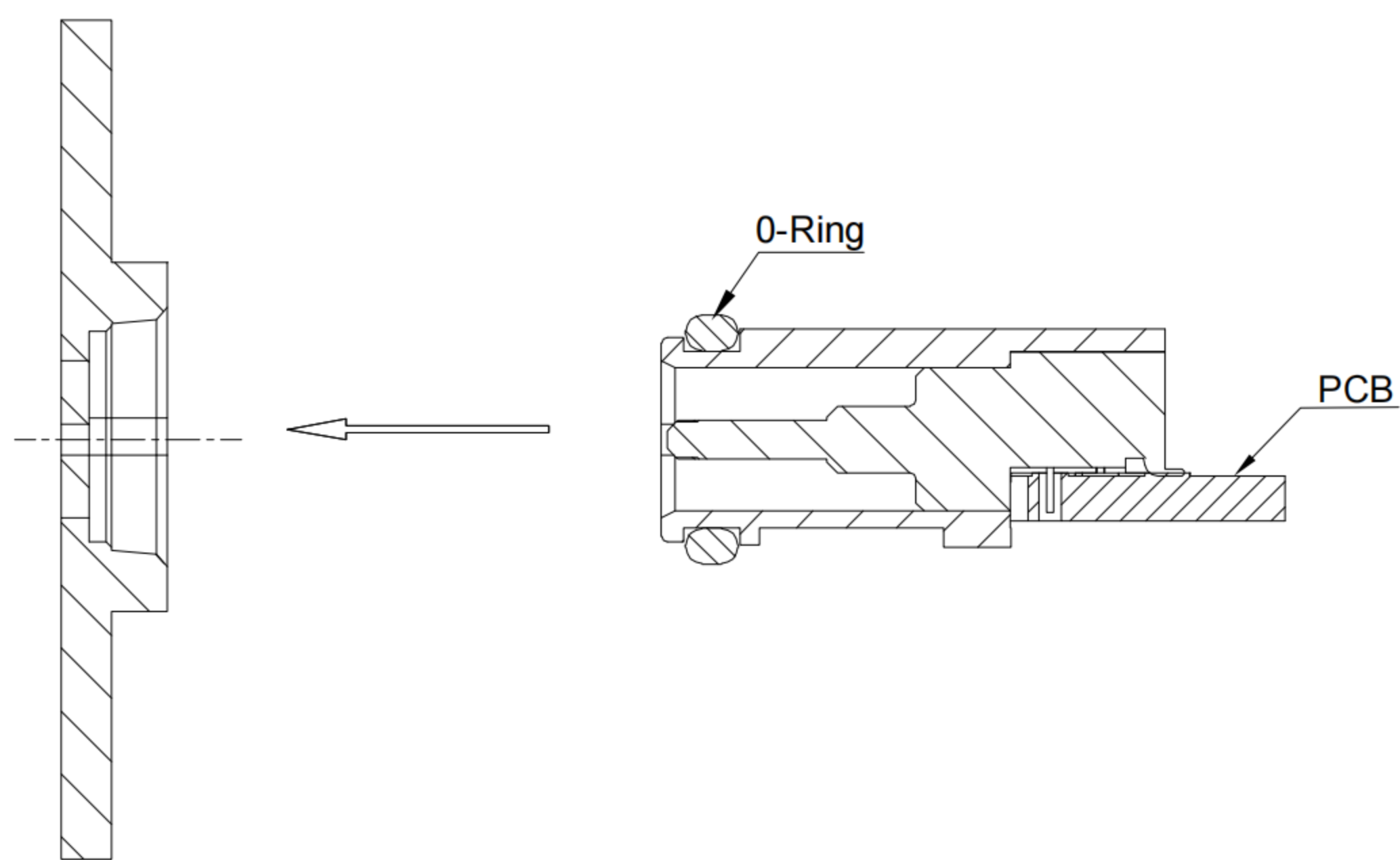
1

2

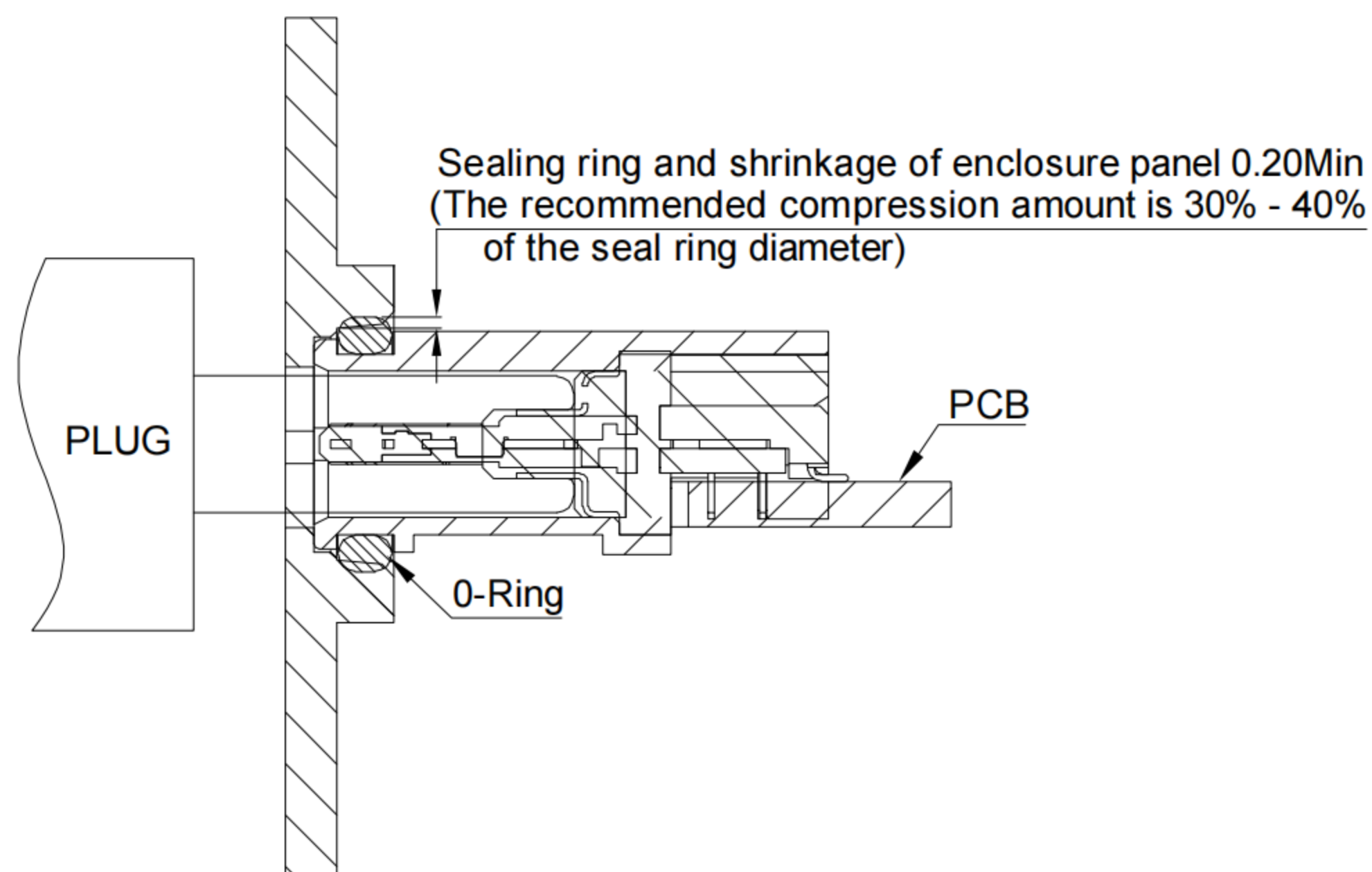
3

4

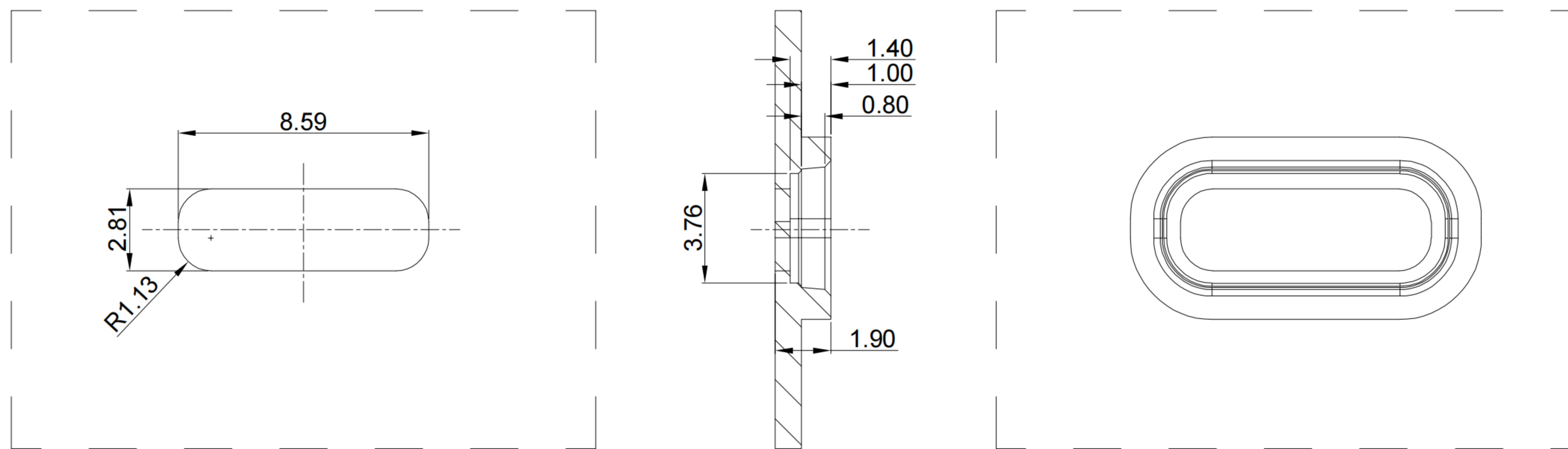
5



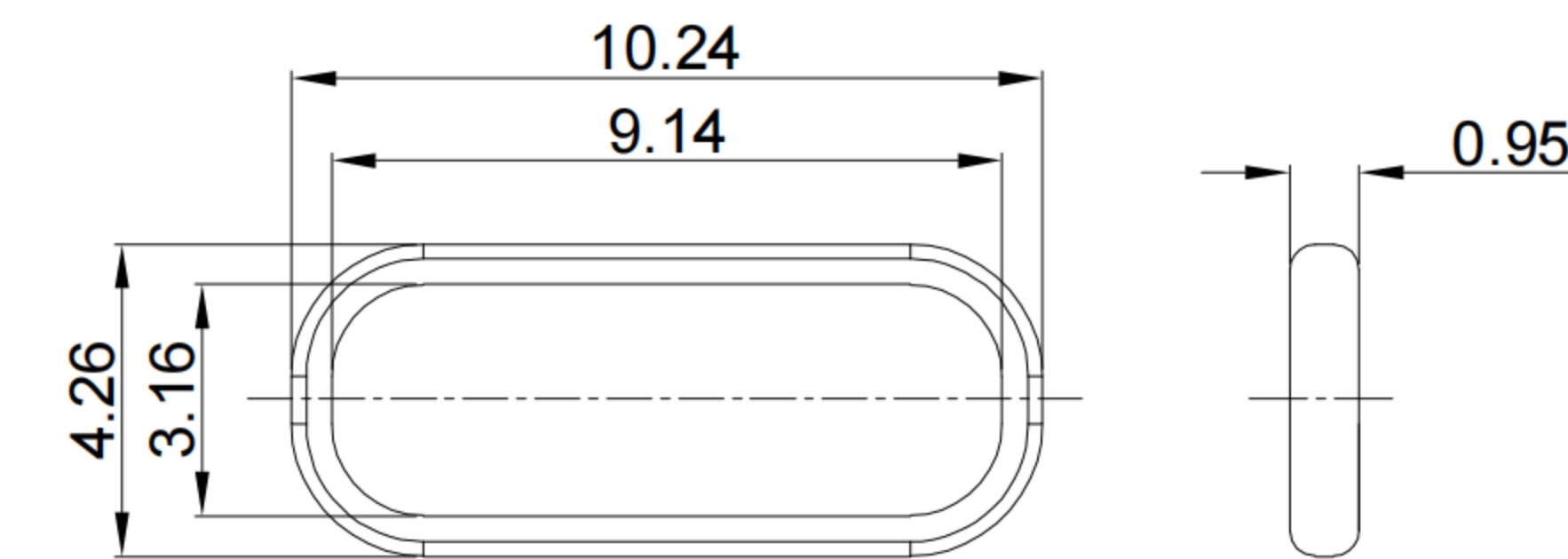
HORIZONTAL ASSEMBLY



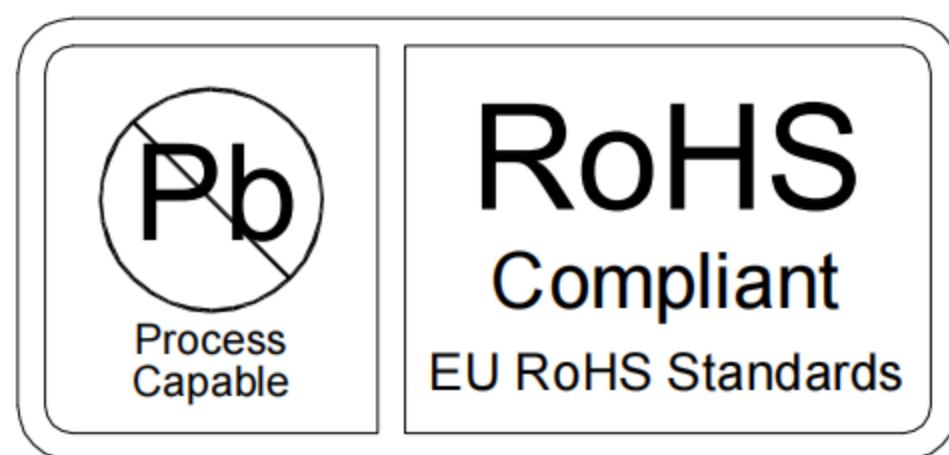
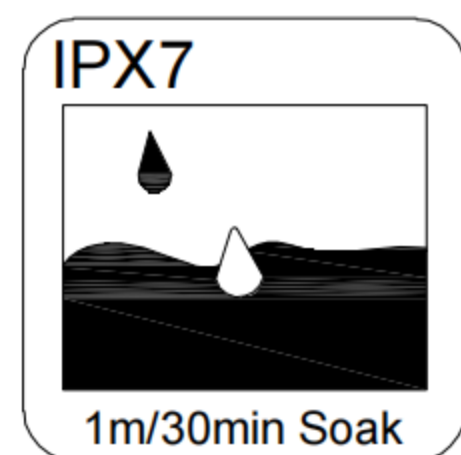
COMPRESSION RATIO TO BE 30%-40% FOR REFERENCE ONLY



RECOMMEND OPEN DIMENSION OF CASE TOLERANCE±0.03mm



O-RING MATERIAL: SILICA GEL



SCALE: 3:1 UNIT: mm
 SIZE: A4

Unless otherwise
 General Tolerance:
 X. ±0.25
 X.x ±0.20
 X.xx ±0.15
 X.xxx ±0.10
 Angles ±5°

Title: Horizontal Type-c 24P Female Sinker1.0
 CH=0.65 L=9.0mm Package drawing

Molde Code: GT-USB-7062

DRAWN	CHECKED	APPROVED	DATE
Xia	Chen	Chen	2022.12.06



REV: A0 SHEET: 2/2

X-ON Electronics

Largest Supplier of Electrical and Electronic Components

Click to view similar products for [USB Connectors](#) category:

Click to view products by [G-Switch](#) manufacturer:

Other Similar products are found below :

[950](#) [MUSBD11135](#) [17-200721](#) [217450-1](#) [KMBVX-TH-5S-B30](#) [KUSBX-AS2N-W](#) [KUSBX-SMT2AP1S-W30](#) [935](#) [957](#) [30-498-6](#) [SK-60A-2](#)
[1734082-1](#) [30-470](#) [30-489](#) [30-541](#) [A-USB A-2P-C](#) [MIKROE-1451](#) [USBFTVSCCG](#) [1-1734084-2](#) [10135326-001LF](#) [4198](#) [USB-A-D-VT](#)
[USB-A-S-RA-TSMT](#) [1310-1023-02](#) [690-024-633-031](#) [UB-20PMFP-LC7001](#) [17-200011](#) [UB-20AFMM-LL7A01](#) [1040870124](#) [CAP-](#)
[WCCMLPB1](#) [CAP-WCCMLPC1](#) [2274475-3](#) [UB-20BMFA-SL8001](#) [914-614A2025S10200](#) [USB3FTV7SAGF059](#) [ZX40-B-5S-1500-](#)
[STDA\(30\)](#) [GSB3116344HR](#) [USB3FTV2SAZNF459](#) [USB3FTV7SAZNF459](#) [U221-041N-1WVS62-F5D](#) [HYCW153-USBD05-500B](#)
[HYCW219-USBD05-075B](#) [HYCW148-USBD05-117B](#) [HYCW149-USBD05-740B](#) [HYCW204-USBD05-108B](#) [HYCW214-USBA04-113B](#)
[HYCW213-USBA04-113B](#) [UB-20AMFM-SL7A01](#) [KMMX-BSMT35S-1-B30TR](#) [2345986-1](#)