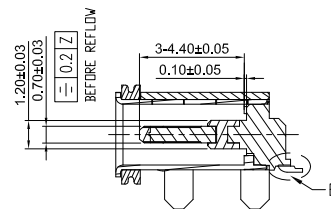
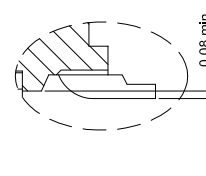


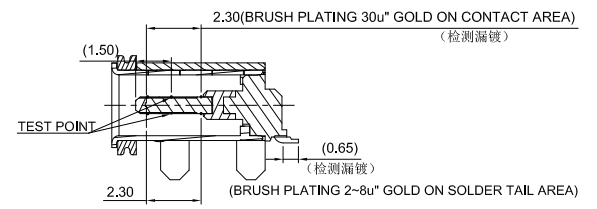
SECTION B-B(SC 1:1)



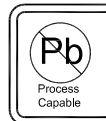
SECTION A-A(SC 1:1)



DETAIL E(SC 4:1)



SECTION A-A(SC 1:1)

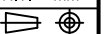


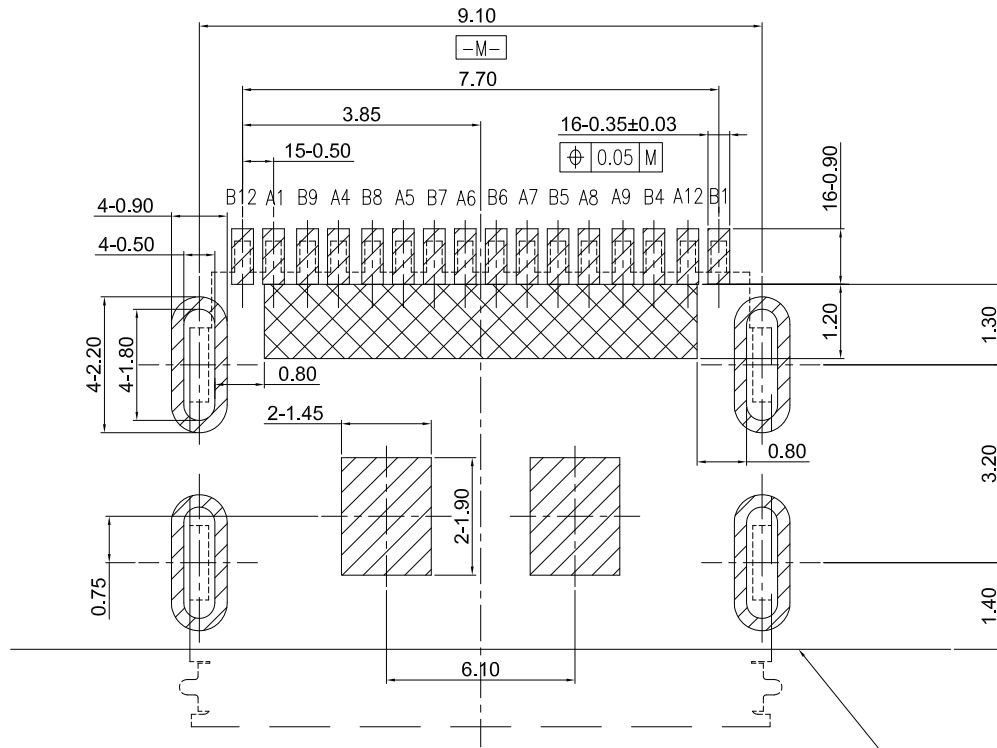
**G-Switch Electronic (HongKong) CO.,Ltd.**

Unless otherwise specified, Tolerance:  
 X. ±0.30  
 X.x ±0.20  
 X.xx ±0.15  
 X.xxx ±0.10  
 Angles ±3°

DESIGN Li Qingqi DATE 2022.04.07  
 CHECKED DATE  
 APPROVED DATE  
<http://www.dg-switch.com>  
 TEL:0769-82388879

Molde code:  
**GT-USB-7079B**  
 REV.: X1 SCALE: 4:1 UNIT: mm  
 SIZE: A4 SHEET: 1/1





PCB OUTLINE

(SC 2:1)

RECOMMENDED PCB LAYOUT (THICKNESS: 0.80MM)  
UNLESS STATED TOLERANCE: ±0.05 (FOR REFERENCE)

- 焊盘区域
- 禁布区域
- 产品轮廓



NOTES 1:

- 1.材料: SEE TABLE A
- 2.处理: SEE TABLE A
- 3.成品功能要求面不可有端子压伤及塑胶毛边
- 4.塑胶顶出强度5 kgf Min.
- 5.上下铁壳焊接后剥离强度40kgf Min.
- 6.插入力: 5-20N;  
拔出力8-20N(1-1000次), 6-20N(1001-10000次)
- 7.成品端子平面度必须100%检测。
- 8.成品可靠性测试要求参照规格书。

TABLE A

NO	PARTS NAME	QTY	MATERIAL	FINISH
7	O-RING	1PCS	RBB-2420-40+RBB-2420-70+TSE221-4U	COLOR:RED
6	OUT_SHELL	1PCS	SUS301-H T0.30	50u*Min,NICKEL
5	INNER_SHELL	1PCS	SUS301-1/2H T0.20	SOLDER AREA:1u-3u*Au PLATING
4	MID PLATE	1PCS	SUS301-H T0.20	NO PLATING
3	CONTACT 2	1SET	C18150-R540 T0.25	Ni 50u*Min CONTACT AREA:30u*Au BRUSH PLATING
2	CONTACT 1	1SET	C18150-R540 T0.25	SOLDER AREA:2-8u*Au BRUSH PLATING
1	HOUSING	1PCS	PA10T R7020NH,UL 94V-0	COLOR:ASHEN

PIN DEFINITION:

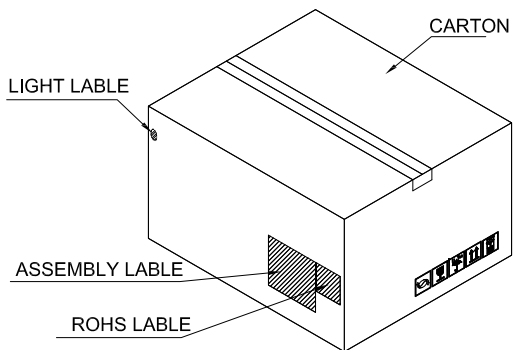
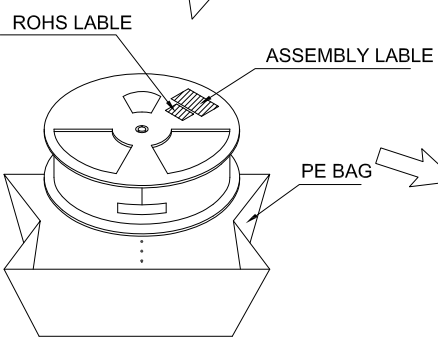
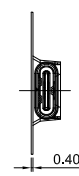
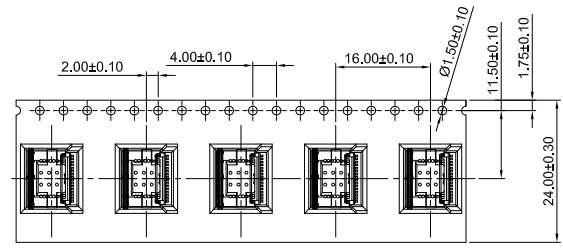
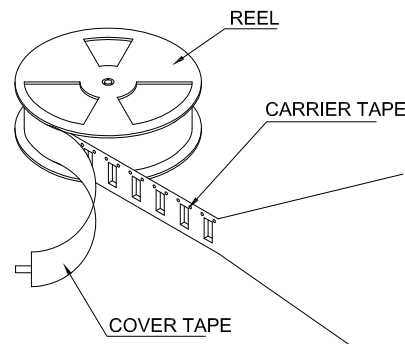
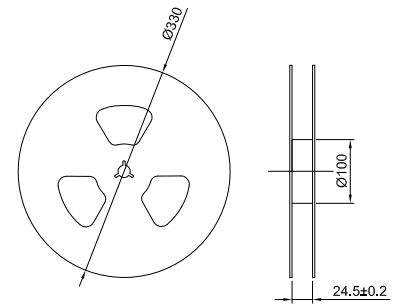
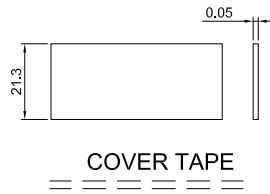
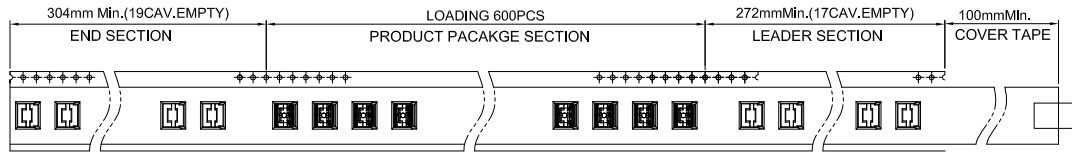
A1	A2	A3	A4	A5	A6	A7	A8	A9	A10	A11	A12
GND			VBUS	CC1	D+	D-	SBU1	VBUS			GND
GND			VBUS	SBU2	D-	D+	CC2	VBUS			GND
B12	B11	B10	B9	B8	B7	B6	B5	B4	B3	B2	B1



**G-Switch Electronic (HongKong) CO.,Ltd.**

Unless otherwise specified, Tolerance:  
 X. ±0.30  
 X.x ±0.20  
 X.xx ±0.15  
 X.xxx ±0.10  
 Angles ±3°

DESIGN Li Qingqi	DATE 2022.04.07	Molde code:	
CHECKED	DATE	GT-USB-7079B	
APPROVED	DATE	REV.: X1	SCALE: 4:1
<a href="http://www.dg-switch.com">http://www.dg-switch.com</a>		UNIT: mm	
TEL:0769-82388879		SIZE: A4	SHEET: 1/1



- NOTES 2:**
- MATERIAL:**
    - 1.1 REEL AND AXLE:PS,BLUE
    - 1.2 CARRIER TAPE:0.40T PS,TRANSPARENT
    - 1.3 COVER TAPE:0.05T PS,TRANSPARENT
    - 1.4 SHIPPING CARTON:CORRUGATED FIBER
  - DIMENSION:**
    - 2.1 REEL:W=24.5,A=330
    - 2.2 CARRIER TAPE:T=0.40 W=24.0
    - 2.3 COVER TAPE:T=0.05 W=21.3
    - 2.4 SHIPPING CARTON:L=343mm,W=343mm,H=200mm
  - QUANTITY**
    - 3.1 PRIMAY PACKING:600PCS/REEL
    - 3.2 SECONARY PACKING:6 REELS/CARTON(3600PCS/CARTON)
  - COVER TAPE PEELING FORCE:0.01~0.13 KG**
    - 4.1 PEELING SPEED:300mm/minutes
    - 4.2 PEELING ANGLE:165°~180°



**G-Switch Electronic (HongKong) CO.,Ltd.**

Unless otherwise specified, Tolerance: X.                   ±0.30 X.x                 ±0.20 X.xx               ±0.15 X.xxx              ±0.10 Angles           ±3°	DESIGN Li Qingqi	DATE 2022.04.07	Molde code:		
	CHECKED	DATE	<b>GT-USB-7079B</b>		
APPROVED	DATE	REV.: X1			SCALE: 4:1
	<a href="http://www.dg-switch.com">http://www.dg-switch.com</a>		SIZE: A4	SHEET: 1/1	
	TEL:0769-82388879				

## X-ON Electronics

Largest Supplier of Electrical and Electronic Components

*Click to view similar products for [USB Connectors](#) category:*

*Click to view products by [G-Switch](#) manufacturer:*

Other Similar products are found below :

[950](#) [A-USB B-TOP-C](#) [MUSBA511N5](#) [MUSBC111M5](#) [MUSBD11135](#) [17-200721](#) [217450-1](#) [KMBVX-TH-5S-B30](#) [896-30-004-00-000000](#)  
[KUSBX-AS2N-W](#) [KUSBX-SMT2AP1S-W30](#) [935](#) [957](#) [30-498-6](#) [SK-60A-2](#) [1734082-1](#) [30-1574](#) [30-470](#) [30-489](#) [30-541](#) [A-USB A-2P-C](#)  
[MIKROE-1451](#) [USBFTV2PEM2G](#) [USBFTVSCCG](#) [4689-1](#) [1-1734084-2](#) [MUSBC11135](#) [USBF21ZNSCC](#) [USBBFTV6ZC](#) [MUSBB151341](#)  
[10135326-001LF](#) [M9177/3-1](#) [TJ-105](#) [USB-A-S-F-B-VT](#) [4198](#) [690-024-633-031](#) [UB-20PMFP-LC7001](#) [USBFTVC6MRG](#) [UA-20BMFA-](#)  
[SL8001](#) [17-200011](#) [USBFTVC7ZC](#) [UB-20AFMM-LL7A01](#) [USBFTVC2MN](#) [CAP-WCCMLPB1](#) [1310-1031-01](#) [2041386-1](#) [2274475-3](#) [UB-](#)  
[20BMFA-SL8001](#) [UB-20PMFP-SC8003](#) [914-614A2025S10200](#)