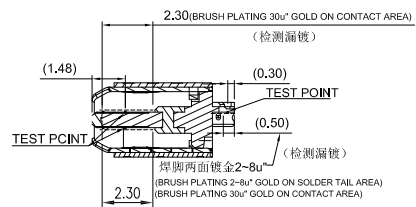


SECTION A-A(SC 1:1)

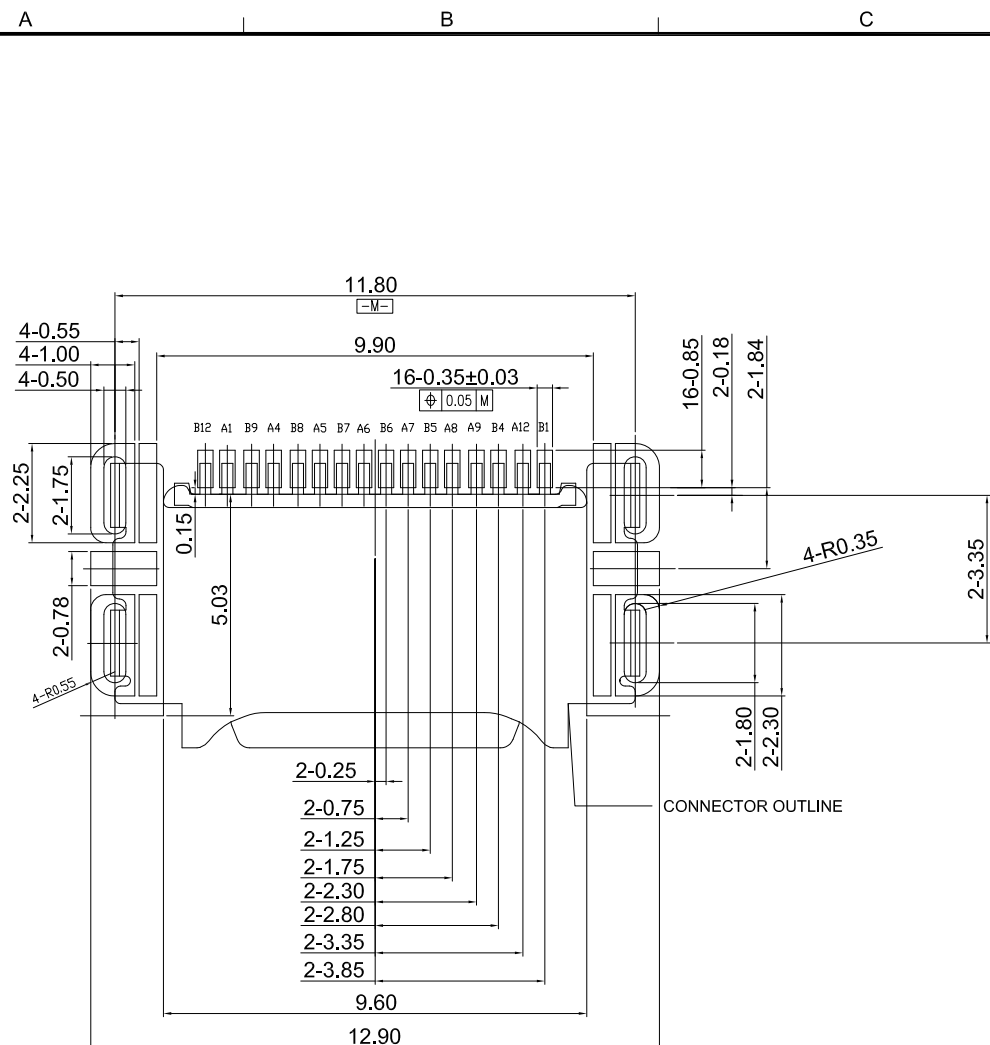


SECTION A-A(SC 1:1)



**b-Switch** 品赞科技® **G-Switch Electronic (HongKong) CO.,Ltd.**

Unless otherwise specified, Tolerance: X. ±0.30 X.x ±0.20 X.xx ±0.15 X.xxx ±0.10 Angles ±3°	DESIGN Li Qingqi CHECKED DATE APPROVED DATE <a href="http://www.dg-switch.com">http://www.dg-switch.com</a> TEL:0769-82388879	DATE 2022.04.07 DATE DATE REV.: X1 SCALE: 4:1 UNIT: mm	Molde code: <b>GT-USB-7085A</b> SHEET: 1/1
--	---	---	--



(SC 2:1)

RECOMMENDED PCB LAYOUT (THICKNESS:0.80MM)  
UNLESS STATED TOLERANCE:±0.05(FOR REFERENCE)

NOIES 1:

1.ELECTRICAL CHARACTERISTICS:

- 1.1 CURRENT RATING:
- 1.2 TEMPERATURE RANGE:-40°C to 85 °C
- 1.3 CONTACT RESISTANCE:30 MILLIONHM MAX.
- 1.4 DIELECTRIC WITHSTANDING VOLTAGE:500 VAC r.m.s
- 1.5 INSULATION RESISTNACE:100 MEGOHMS MIN.

2.MECHANICAL CHARACTERISTICS

- 2.1 INSERTION FORCE 5~20N
- 2.2 EXTRACTION FORCE:INITIAL: 8~20N(1000CYCLES),6~20N(10000CYCLES)
- 2.3 DURABILITY:10,000CYCLES
- 2.4 PLUG垂直顶塑胶（避开铁壳止挡位），顶出力量14kgf Mn., 垂直顶插口止挡位，顶出力量20kg
- 2.5 上下铁壳得接后剥高强度50kgf Min.

3.COMPLIANCE WITH CURRENT VERSIONS OF ENVIRONMENT MANAGEMENT SUBSTANCE REQUIREMENT IN EVERWIN

4.HOUSING BURR:0.10 MM MAX METAL BURR:0.05 MM MAX.

7	UPPER_SHELL	1PCS	SUS301-H T0,20	50u"Min,NICKEL SOLDER AREA:1u~3u"Au PLATING
6	DOWN_SHELL	1PCS	SUS301-H T0,20	
5	INNER_SHELL	1PCS	SUS301-H T0,20	
4	MID PLATE	1PCS	SUS301-H T0,15	NO PLATING
3	CONTACT 2	1SET	C18150-R540 T0,15	Ni 50u"Min CONTACT AREA:30u"Au BRUSH PLATING SOLDER AREA:2~8u"Au BRUSH PLATING
2	CONTACT 1	1SET	C18150-R540 T0,25	
1	HOUSING	1PCS	PA46 HFX33S,UL 94V-0	COLOR:BLACK
NO	PARTS NAME	QTY	MATFRIAL	FINISH

PIN DEFINITION:

A1	A2	A3	A4	A5	A6	A7	A8	A9	A10	A11	A12
GND			VBUS	CC1	D+	D-	SBU1	VBUS			GND
GND			VBUS	SBU2	D-	D+	CC2	VBUS			GND
B12	B11	B10	B9	B8	B7	B6	B5	B4	B3	B2	B1

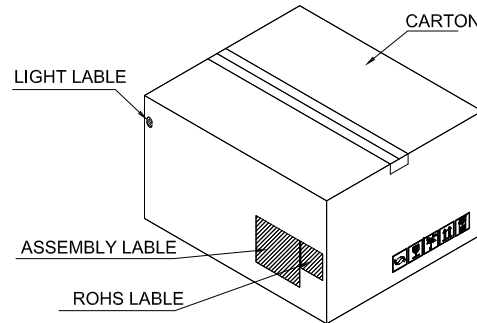
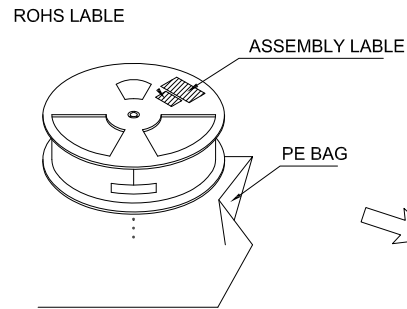
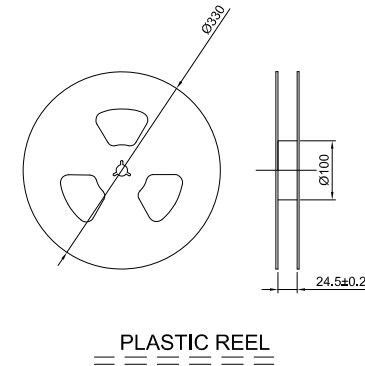
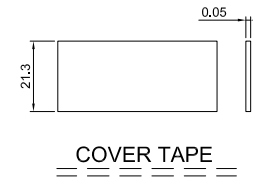
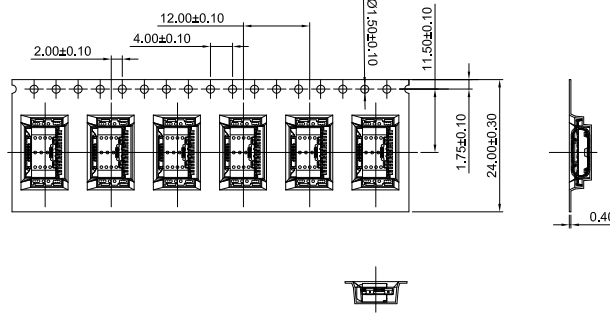
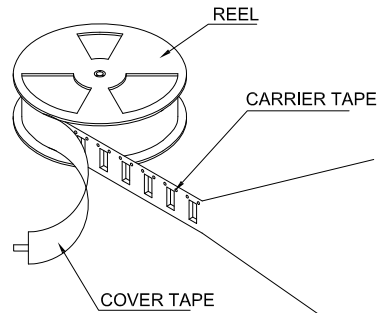
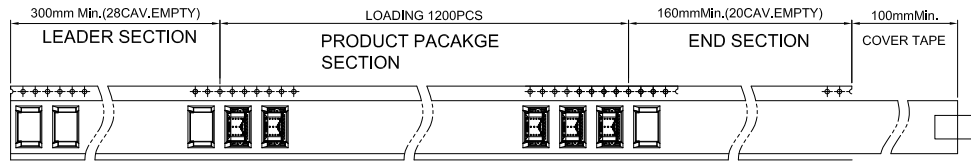


**G-Switch Electronic (HongKong) CO.,Ltd.**

Unless otherwise specified, Tolerance:  
 X. ±0.30  
 X.x ±0.20  
 X.xx ±0.15  
 X.xxx ±0.10  
 Angles ±3°

DESIGN Li Qingqi DATE 2022.04.07  
 CHECKED DATE  
 APPROVED DATE  
<http://www.dg-switch.com>  
 TEL:0769-82388879

Molde code:  
**GT-USB-7085A**  
 REV.: X1 SCALE: 4:1 UNIT: mm  
 SIZE: A4 SHEET: 1/1



**NOTES 2:**

**1.MATERIAL:**

- 1.1 REEL AND AXLE:PS,BLUE
- 1.2 CARRIER TAPE:0.40T PS,TRANSPARENT
- 1.3 COVER TAPE:0.05T PS,TRANSPARENT
- 1.4 SHIPPING CARTON:CORRUGATED FIBER

**2.DIMENSION:**

- 2.1 REEL:W=24.5,A=330
- 2.2 CARRIER TAPE:T=0.40 W=24.0
- 2.3 COVER TAPE:T=0.05 W=21.3
- 2.4 SHIPPING CARTON:L=343mm,W=343mm,H=200mm

**3.QUANTITY**

- 3.1 PRIMAY PACKING:1200PCS/REEL
- 3.2 SECONARY PACKING:6 REELS/CARTON(7200PCS/CARTON)

**4.COVER TAPE PEELING FORCE:0.01~0.13 KG**

- 4.1 PEELING SPEED:300mm/minutes
- 4.2 PEELING ANGLE:165°~180°



**G-Switch Electronic (HongKong) CO.,Ltd.**

Unless otherwise specified, Tolerance:	
X.	±0.30
X.x	±0.20
X.xx	±0.15
X.xxx	±0.10
Angles	±3°

DESIGN Li Qingqi	DATE 2022.04.07
CHECKED	DATE
APPROVED	DATE
<a href="http://www.dg-switch.com">http://www.dg-switch.com</a>	
TEL:0769-82388879	

Molde code:		
GT-USB-7085A		
REV.: X1	SCALE: 4:1	UNIT: mm
SIZE: A4	SHEET: 1/1	

## X-ON Electronics

Largest Supplier of Electrical and Electronic Components

*Click to view similar products for [USB Connectors](#) category:*

*Click to view products by [G-Switch](#) manufacturer:*

Other Similar products are found below :

[950](#) [A-USB B-TOP-C](#) [MUSBA511N5](#) [MUSBC111M5](#) [MUSBD11135](#) [17-200721](#) [217450-1](#) [KMBVX-TH-5S-B30](#) [896-30-004-00-000000](#)  
[KUSBX-AS2N-W](#) [KUSBX-SMT2AP1S-W30](#) [935](#) [957](#) [30-498-6](#) [SK-60A-2](#) [1734082-1](#) [30-1574](#) [30-470](#) [30-489](#) [30-541](#) [A-USB A-2P-C](#)  
[MIKROE-1451](#) [USBFTV2PEM2G](#) [USBFTVSCCG](#) [4689-1](#) [1-1734084-2](#) [MUSBC11135](#) [USBF21ZNSCC](#) [USBBFTV6ZC](#) [MUSBB151341](#)  
[10135326-001LF](#) [M9177/3-1](#) [TJ-105](#) [USB-A-S-F-B-VT](#) [4198](#) [690-024-633-031](#) [UB-20PMFP-LC7001](#) [USBFTVC6MRG](#) [UA-20BMFA-](#)  
[SL8001](#) [17-200011](#) [USBFTVC7ZC](#) [UB-20AFMM-LL7A01](#) [USBFTVC2MN](#) [CAP-WCCMLPB1](#) [1310-1031-01](#) [2041386-1](#) [2274475-3](#) [UB-](#)  
[20BMFA-SL8001](#) [UB-20PMFP-SC8003](#) [914-614A2025S10200](#)