

NOTE:

1. SPECIFICATION:

- 1.1 Rated current: 5.0 A
- 1.2 Voltage rating: 5V AC
- 1.3 Contact Resistance: 40 m Ω Max.
- 1.4 Insulation Resistance: 100MΩ Min.
- 1.5 Withstanding voltage: 100 VAC/minute
- 1.6 Mating force: 5~20N .
- 1.7 Unmating force: 8~20N.
- 1.8 Durability Cycle: 10,000 cycle
- 1.9 Operating temperature: -40°~+85°

A1	A2	A3	A4	A5	A6	A7	A8	A9	A10	A11	A12	
GND	TX1+	TX1-	VBUS	CC1	D+	D-	SBU1	VBUS	RX2-	RX2+	GND	
GND	RX1+	RX1-	VBUS	SBU2	D-	D+	CC2	VBUS	TX2-	TX2+	GND	
B12	B11	B10	B9	B8	B7	B6	B5	B4	B3	B2	B1	
5	MID PLATE	1	SUS301	NICKEL PLATING							T=0.15	
4	TERMINAL	24	C18140	MATING SIDE: Au 300°MIN; SOLDER TAIL: Gold FLASH, 50u" NICKEL OVERALL.							T=0.12	
3	MAIN HOUSING	1	PA9T HF 30%玻纤, UL94 V-0, 黑色								BLACK UL94V-0	
2	OUT SHELL	1	SUS304	NICKEL PLATING							T=0.25	
1	MAIN SHELL	1	SUS304	NICKEL PLATING							T=0.30	
ITEM	DESCRIPTION	QTY	MATERIAL	FINISH							REMARK	

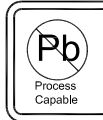
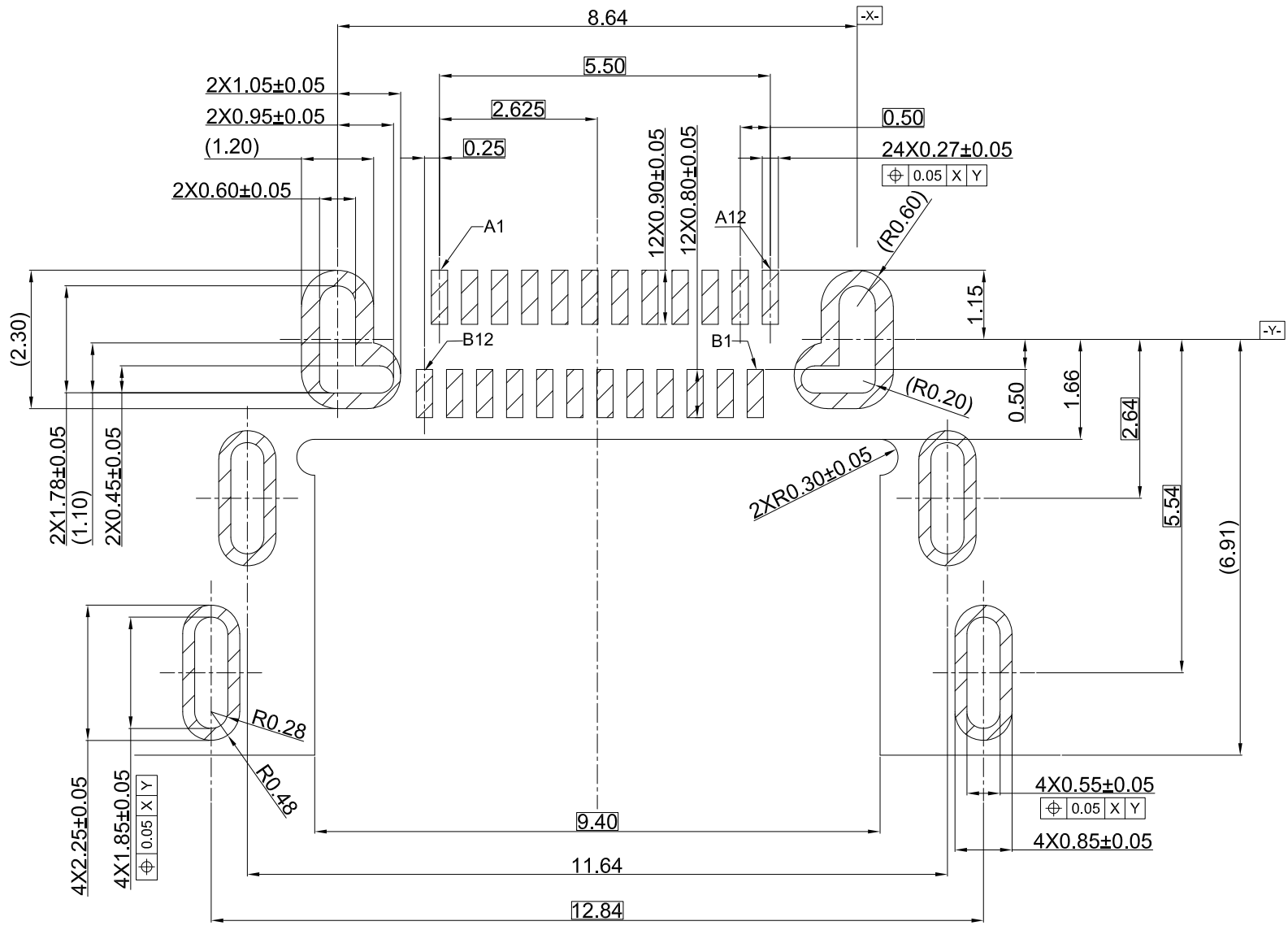
BILL OF MATERIAL



Unless otherwise specified, Tolerance:
 X. ±0.30
 X.x ±0.20
 X.xx ±0.15
 X.xxx ±0.10
 Angles ±3°

G-Switch Electronic (HongKong) CO.,Ltd.

DESIGN Li Qingqi	DATE 2022.04.22	Molde code:	
CHECKED	DATE	GT-USB-7087A	
APPROVED	DATE		
http://www.dg-switch.com		REV.: X1	SCALE: 4:1
TEL:0769-82388879		UNIT: mm	
SIZE: A4	SHEET: 1/1		

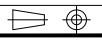


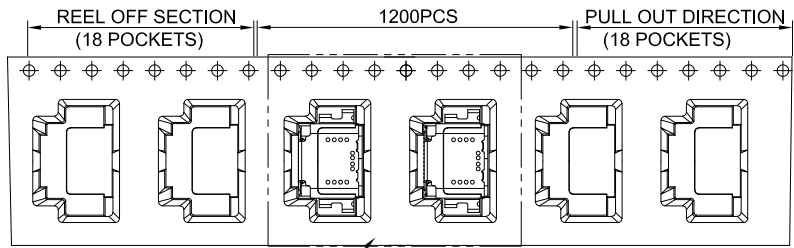
G-Switch Electronic (HongKong) CO.,Ltd.

Unless otherwise specified, Tolerance:
 X. ±0.30
 X.x ±0.20
 X.xx ±0.15
 X.xxx ±0.10
 Angles ±3°

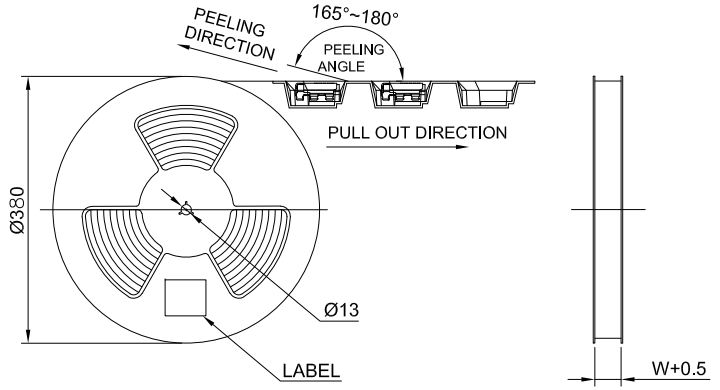
DESIGN Li Qingqi DATE 2022.04.22
 CHECKED DATE
 APPROVED DATE
<http://www.dg-switch.com>
 TEL:0769-82388879

Molde code:
GT-USB-7087A
 REV.: X1 SCALE: 4:1 UNIT: mm
 SIZE: A4 SHEET: 1/1

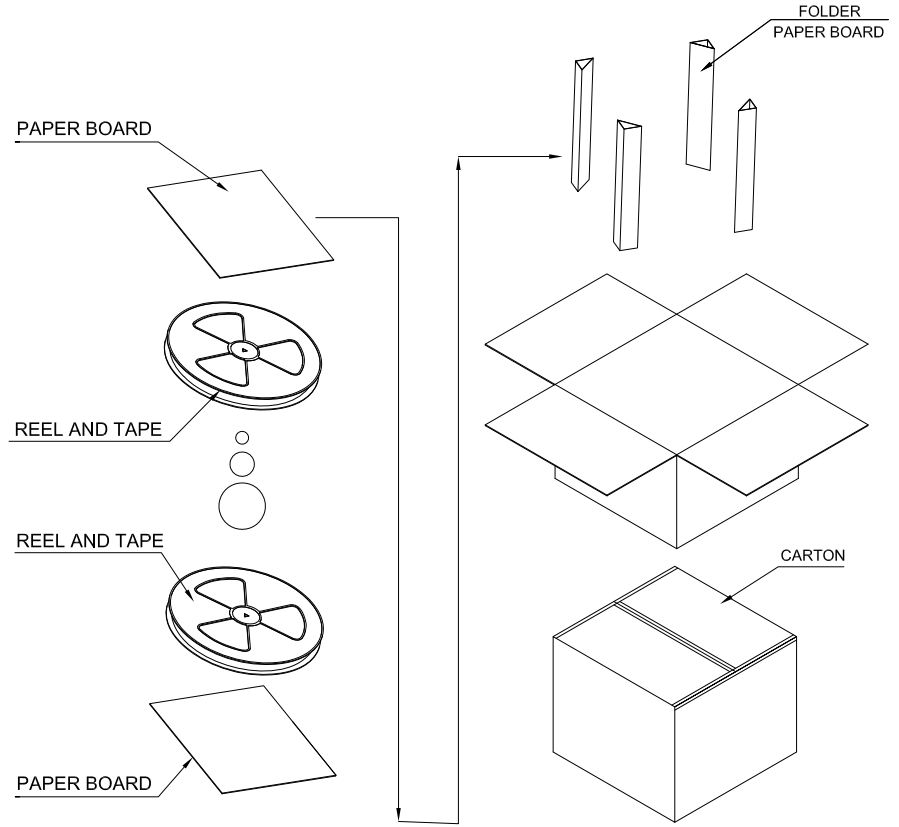
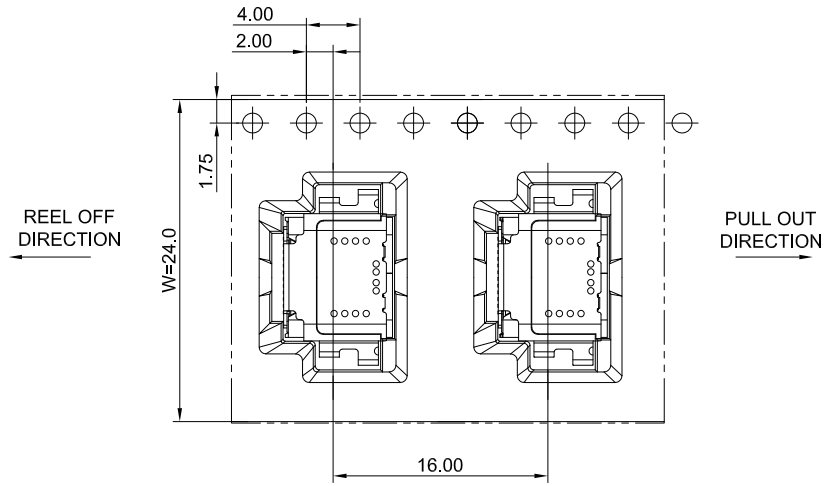




SEE DETAIL X



W+0.5



Pb Process Capable	RoHS Compliant 2002/95/EC	HALOGEN FREE Compliant Halogen Free
-----------------------	--	---

品贊科技® b-Switch	G-Switch Electronic (HongKong) CO.,Ltd.	
	DESIGN Li Qingqi DATE 2022.04.22	Molde code:
CHECKED DATE	GT-USB-7087A	
APPROVED DATE	http://www.dg-switch.com	
Unless otherwise specified, Tolerance: X. ±0.30 X.x ±0.20 X.xx ±0.15 X.xxx ±0.10 Angles ±3°	TEL:0769-82388879	REV.: X1 SCALE: 4:1 UNIT: mm SIZE: A4 SHEET: 1/1

X-ON Electronics

Largest Supplier of Electrical and Electronic Components

Click to view similar products for [USB Connectors](#) category:

Click to view products by [G-Switch](#) manufacturer:

Other Similar products are found below :

[950](#) [A-USB B-TOP-C](#) [MUSBA511N5](#) [MUSBC111M5](#) [MUSBD11135](#) [17-200721](#) [217450-1](#) [KMBVX-TH-5S-B30](#) [896-30-004-00-000000](#)
[KUSBX-AS2N-W](#) [KUSBX-SMT2AP1S-W30](#) [935](#) [957](#) [30-498-6](#) [SK-60A-2](#) [1734082-1](#) [30-1574](#) [30-470](#) [30-489](#) [30-541](#) [A-USB A-2P-C](#)
[MIKROE-1451](#) [USBFTV2PEM2G](#) [USBFTVSCCG](#) [4689-1](#) [1-1734084-2](#) [MUSBC11135](#) [USBF21ZNSCC](#) [USBBFTV6ZC](#) [MUSBB151341](#)
[10135326-001LF](#) [M9177/3-1](#) [TJ-105](#) [USB-A-S-F-B-VT](#) [4198](#) [690-024-633-031](#) [UB-20PMFP-LC7001](#) [USBFTVC6MRG](#) [UA-20BMFA-](#)
[SL8001](#) [17-200011](#) [USBFTVC7ZC](#) [UB-20AFMM-LL7A01](#) [USBFTVC2MN](#) [CAP-WCCMLPB1](#) [1310-1031-01](#) [2041386-1](#) [2274475-3](#) [UB-](#)
[20BMFA-SL8001](#) [UB-20PMFP-SC8003](#) [914-614A2025S10200](#)