

**NOTE:**

**1. SPECIFICATION:**

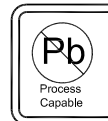
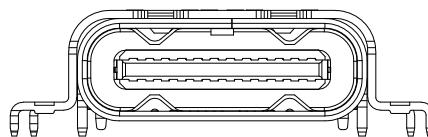
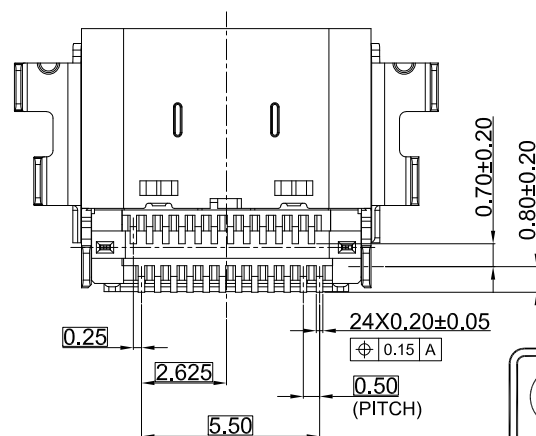
- 1.1 Rated current: 5.0 A
- 1.2 Voltage rating: 5V AC
- 1.3 Contact Resistance: 40 m Ω Max.
- 1.4 Insulation Resistance: 100MΩ Min.
- 1.5 Withstanding voltage: 100 VAC/minute
- 1.6 Mating force: 5~20N .
- 1.7 Unmating force: 8~20N.
- 1.8 Durability Cycle: 10,000 cycle
- 1.9 Operating temperature: -40°~+85°

A1	A2	A3	A4	A5	A6	A7	A8	A9	A10	A11	A12
GND	TX1+	TX1-	VBUS	CC1	D+	D-	SBU1	VBUS	RX2-	RX2+	GND

GND	RX1+	RX1-	VBUS	SBU2	D-	D+	CC2	VBUS	TX2-	TX2+	GND
B12	B11	B10	B9	B8	B7	B6	B5	B4	B3	B2	B1

ITEM	DESCRIPTION	QTY	MATERIAL	FINISH	REMARK
5	MID PLATE	1	SUS301	NICKEL PLATING	T=0.15
4	TERMINAL	24	C18140	MATING SIDE: Au 300*MIN; SOLDER TAIL: Gold FLASH, 50u" NICKEL OVERALL.	T=0.12
3	MAIN HOUSING	1	PART HF 30%镀锌, UL94 V-0, 黑色		BLACK UL94V-0
2	OUT SHELL	1	SUS304	NICKEL PLATING	T=0.25
1	MAIN SHELL	1	SUS304	NICKEL PLATING	T=0.30

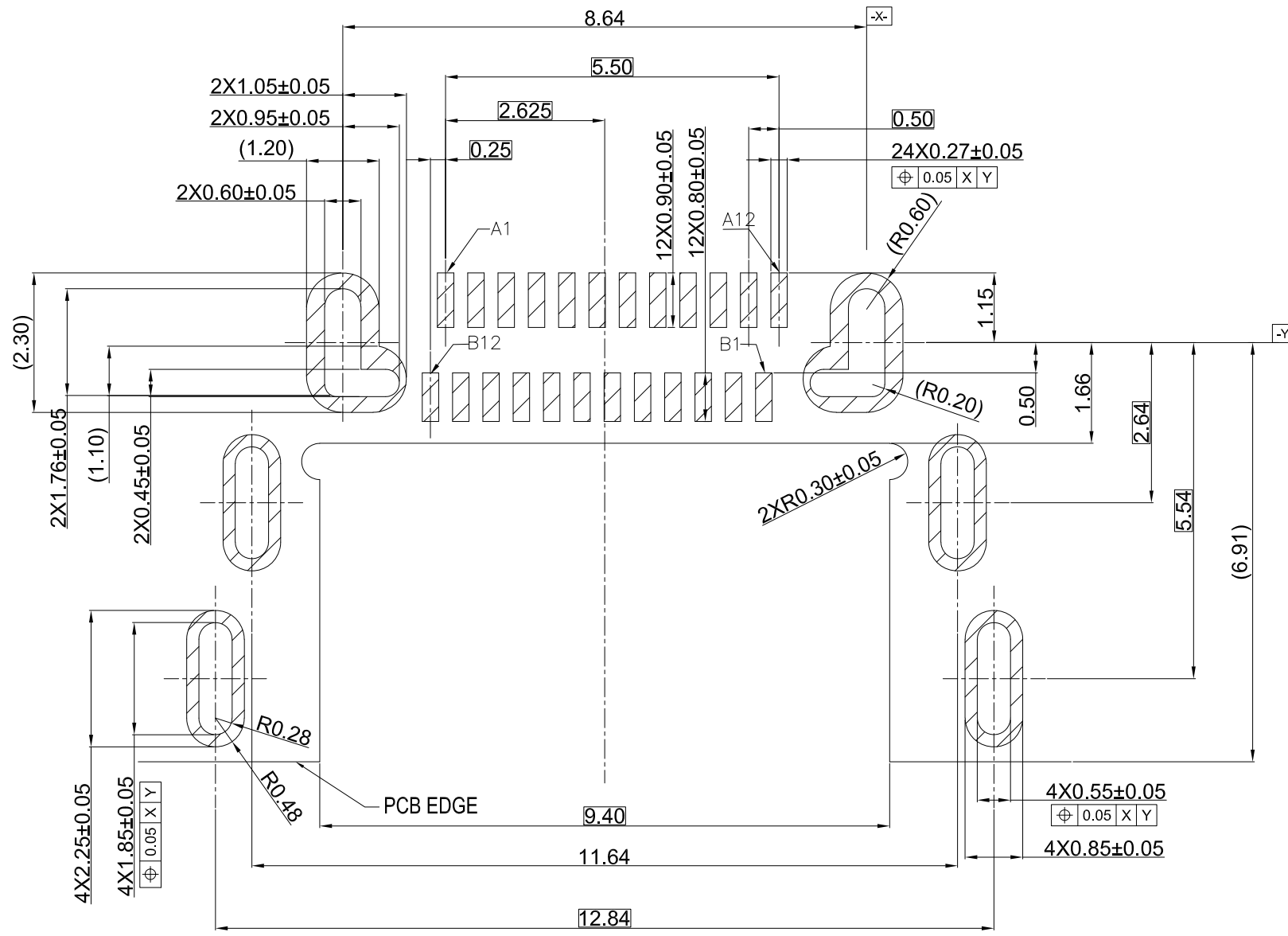
BILL OF MATERIAL



Unless otherwise specified, Tolerance:  
 X. ±0.30  
 X.x ±0.20  
 X.xx ±0.15  
 X.xxx ±0.10  
 Angles ±3°

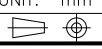
**G-Switch Electronic (HongKong) CO.,Ltd.**

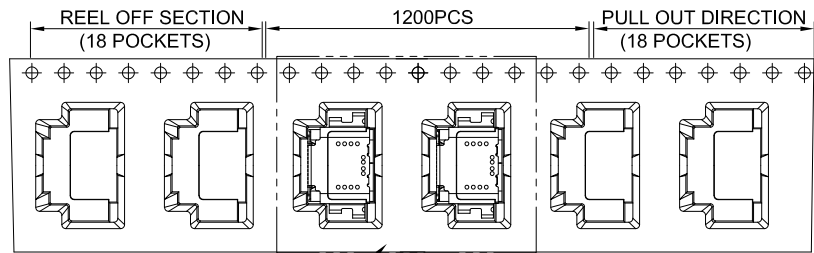
DESIGN Li Qingqi	DATE 2022.04.22	Molde code:	
CHECKED	DATE	GT-USB-7087B	
APPROVED	DATE		
<a href="http://www.dg-switch.com">http://www.dg-switch.com</a>		REV.: X1	SCALE: 4:1
TEL:0769-82388879		UNIT: mm	
		SIZE: A4	SHEET: 1/1



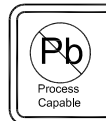
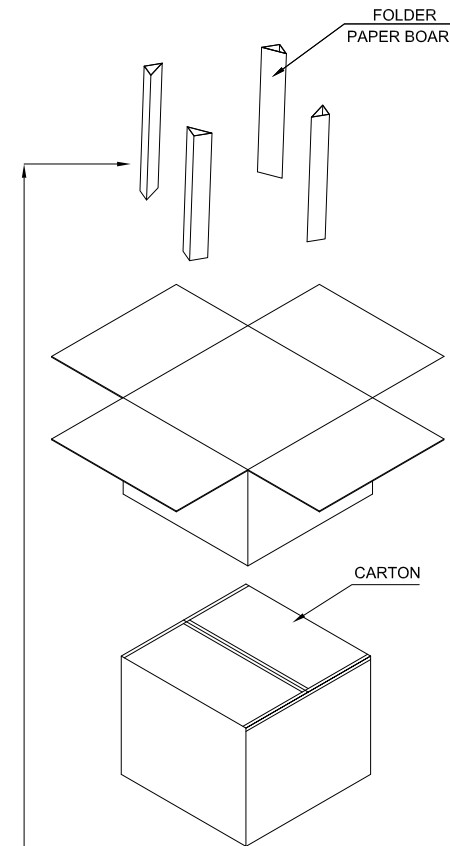
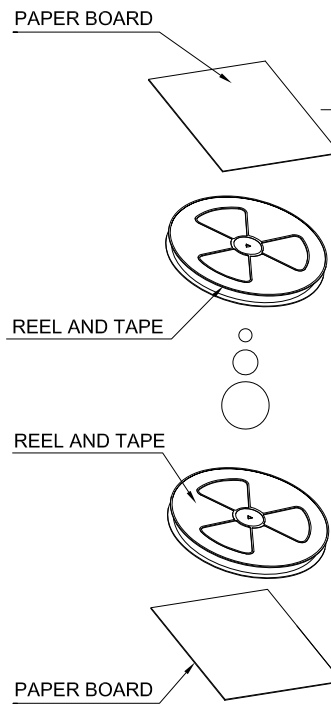
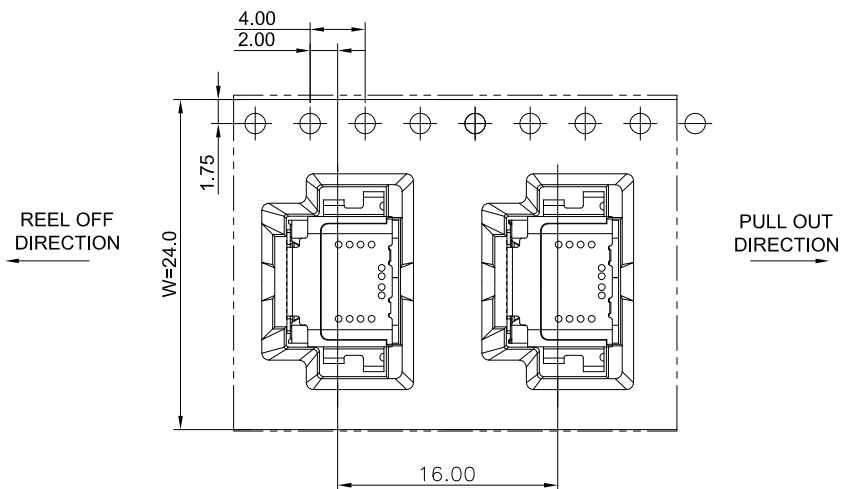
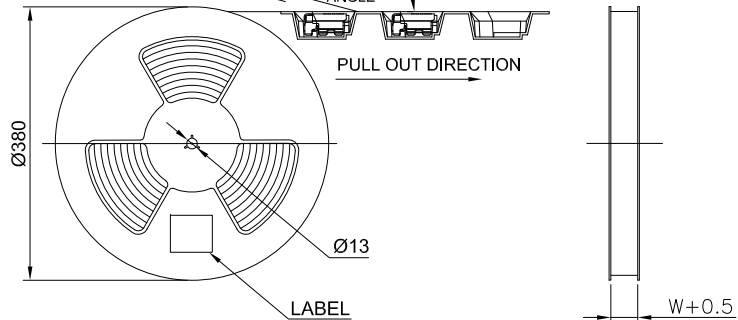
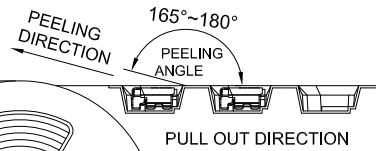
**b-Switch** 品贊科技® **G-Switch Electronic (HongKong) CO.,Ltd.**

Unless otherwise specified, Tolerance: X. ±0.30 X.x ±0.20 X.xx ±0.15 X.xxx ±0.10 Angles ±3°	DESIGN Li Qingqi	DATE 2022.04.22	Molde code:	
	CHECKED	DATE	GT-USB-7087B	
	APPROVED	DATE	REV.: X1	SCALE: 4:1
	<a href="http://www.dg-switch.com">http://www.dg-switch.com</a>		UNIT: mm	
	TEL:0769-82388879		SIZE: A4	SHEET: 1/1





SEE DETAIL X

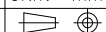


**G-Switch Electronic (HongKong) CO.,Ltd.**

Unless otherwise specified, Tolerance:  
 X. ±0.30  
 X.x ±0.20  
 X.xx ±0.15  
 X.xxx ±0.10  
 Angles ±3°

DESIGN Li Qingqi DATE 2022.04.22  
 CHECKED DATE  
 APPROVED DATE  
<http://www.dg-switch.com>  
 TEL:0769-82388879

Molde code:  
**GT-USB-7087B**  
 REV.: X1 SCALE: 4:1 UNIT: mm  
 SIZE: A4 SHEET: 1/1



## X-ON Electronics

Largest Supplier of Electrical and Electronic Components

*Click to view similar products for [USB Connectors](#) category:*

*Click to view products by [G-Switch](#) manufacturer:*

Other Similar products are found below :

[950](#) [A-USB B-TOP-C](#) [MUSBA511N5](#) [MUSBC111M5](#) [MUSBD11135](#) [17-200721](#) [217450-1](#) [KMBVX-TH-5S-B30](#) [896-30-004-00-000000](#)  
[KUSBX-AS2N-W](#) [KUSBX-SMT2AP1S-W30](#) [935](#) [957](#) [30-498-6](#) [SK-60A-2](#) [1734082-1](#) [30-1574](#) [30-470](#) [30-489](#) [30-541](#) [A-USB A-2P-C](#)  
[MIKROE-1451](#) [USBFTV2PEM2G](#) [USBFTVSCCG](#) [4689-1](#) [1-1734084-2](#) [MUSBC11135](#) [USBF21ZNSCC](#) [USBBFTV6ZC](#) [MUSBB151341](#)  
[10135326-001LF](#) [M9177/3-1](#) [TJ-105](#) [USB-A-S-F-B-VT](#) [4198](#) [690-024-633-031](#) [UB-20PMFP-LC7001](#) [USBFTVC6MRG](#) [UA-20BMFA-](#)  
[SL8001](#) [17-200011](#) [USBFTVC7ZC](#) [UB-20AFMM-LL7A01](#) [USBFTVC2MN](#) [CAP-WCCMLPB1](#) [1310-1031-01](#) [2041386-1](#) [2274475-3](#) [UB-](#)  
[20BMFA-SL8001](#) [UB-20PMFP-SC8003](#) [914-614A2025S10200](#)