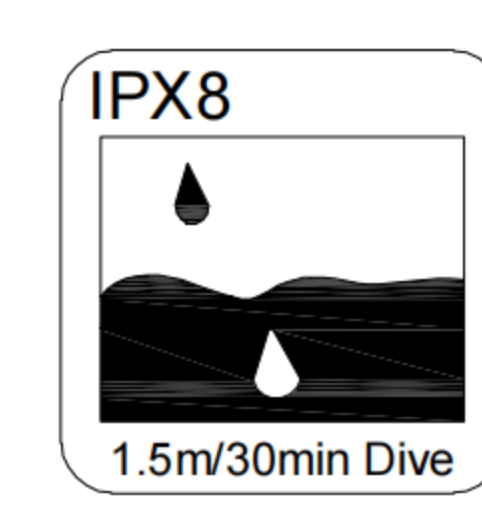
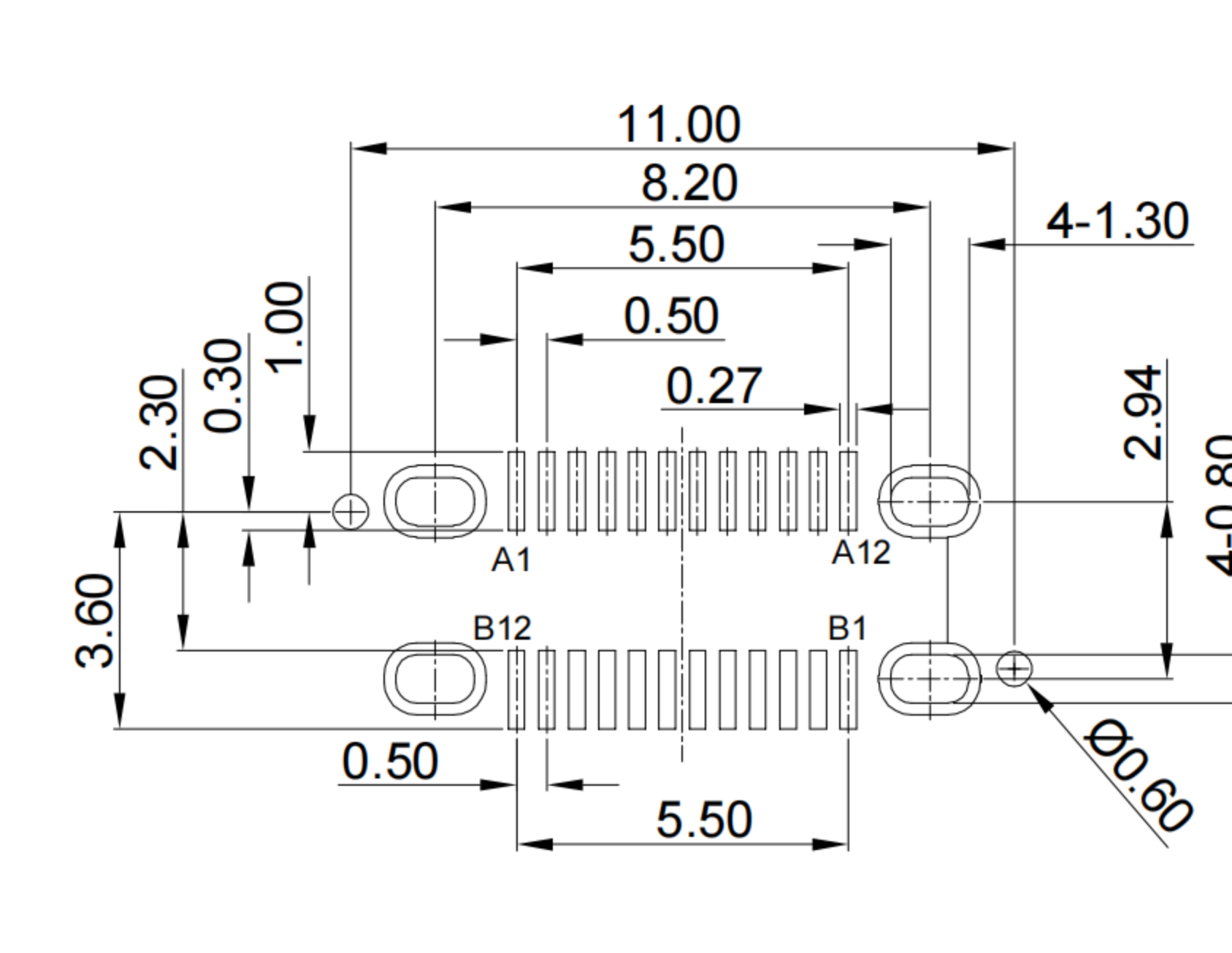
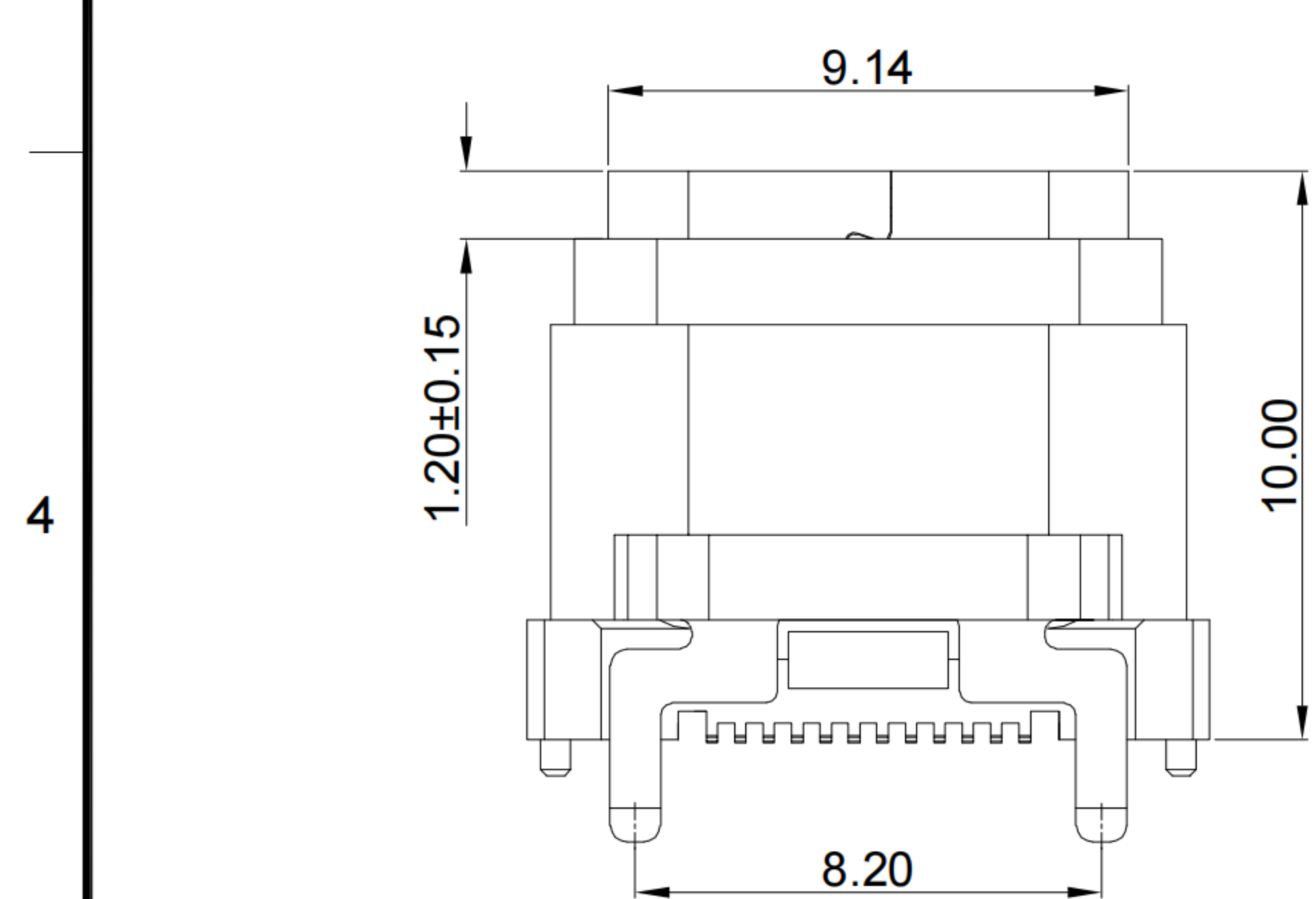


**G-Switch USB-C Specification:**

1. Current rated: 5A on Vbus/1.25A on Vconn/0.25A on other
2. Voltage rating: 24V AC
3. Withstanding voltage: 100V AC/minute
4. Contact Resistance: 40mΩ Max
5. Insulation Resistance: 100MΩ Min
6. Operating temperature: -40 °C ~ +85 °C
7. Mating force: 5N~20N
8. Unmating force: 8N~20N
9. Durability Cycle: 10,000 Cycles
10. Data transmission rate up to 5Gbp/s
11. Waterproof Grade: IP-X8.



A1	A2	A3	A4	A5	A6	A7	A8	A9	A10	A11	A12
GND	TX1+	TX1-	VBUS	CC1	D+	D-	SBU1	VBUS	RX2-	RX2+	GND
First	Second	Second	First	Second	Second	Second	Second	First	Second	Second	First

B12	B11	B10	B9	B8	B7	B6	B5	B4	B3	B2	B1
GND	RX1+	RX1-	VBUS	SBU2	D-	D+	CC2	VBUS	TX2-	TX2+	GND
First	Second	Second	First	Second	Second	Second	Second	First	Second	Second	First

RECOMMENDED PCB LAYOUT  
TOLERANCE ±0.05mm

1	SHELL	STAINLESS STEEL	NI PLATED
2	MIDDLE PLATE	STAINLESS STEEL	--
3	HOUSING	HIGH TEMPERATURE PLASTIC	BLACK UL 94 V-0
4	TERMINALS	COPPER ALLOY	Au PLATING ON CONTACT AREA
5	CAP	HIGH TEMPERATURE PLASTIC	BLACK UL 94 V-0
NO.	PARTS	MATERIAL	REMARKS



SCALE: 3:1	UNIT: mm	Title: Vertical Type-c 24P Female SMT H=10.0mm	
SIZE: A4		Molde Code: GT-USB-7096B	
Unless otherwise General Tolerance:		DRAWN	CHECKED
X.x	±0.30	Xia	Chen
X.xx	±0.20		
X.xxx	±0.10	APPROVED	DATE
X.x°	±3°	Chen	2023.02.01
X.xx°	±2°		



REV: A0 SHEET: 1/2

A

B

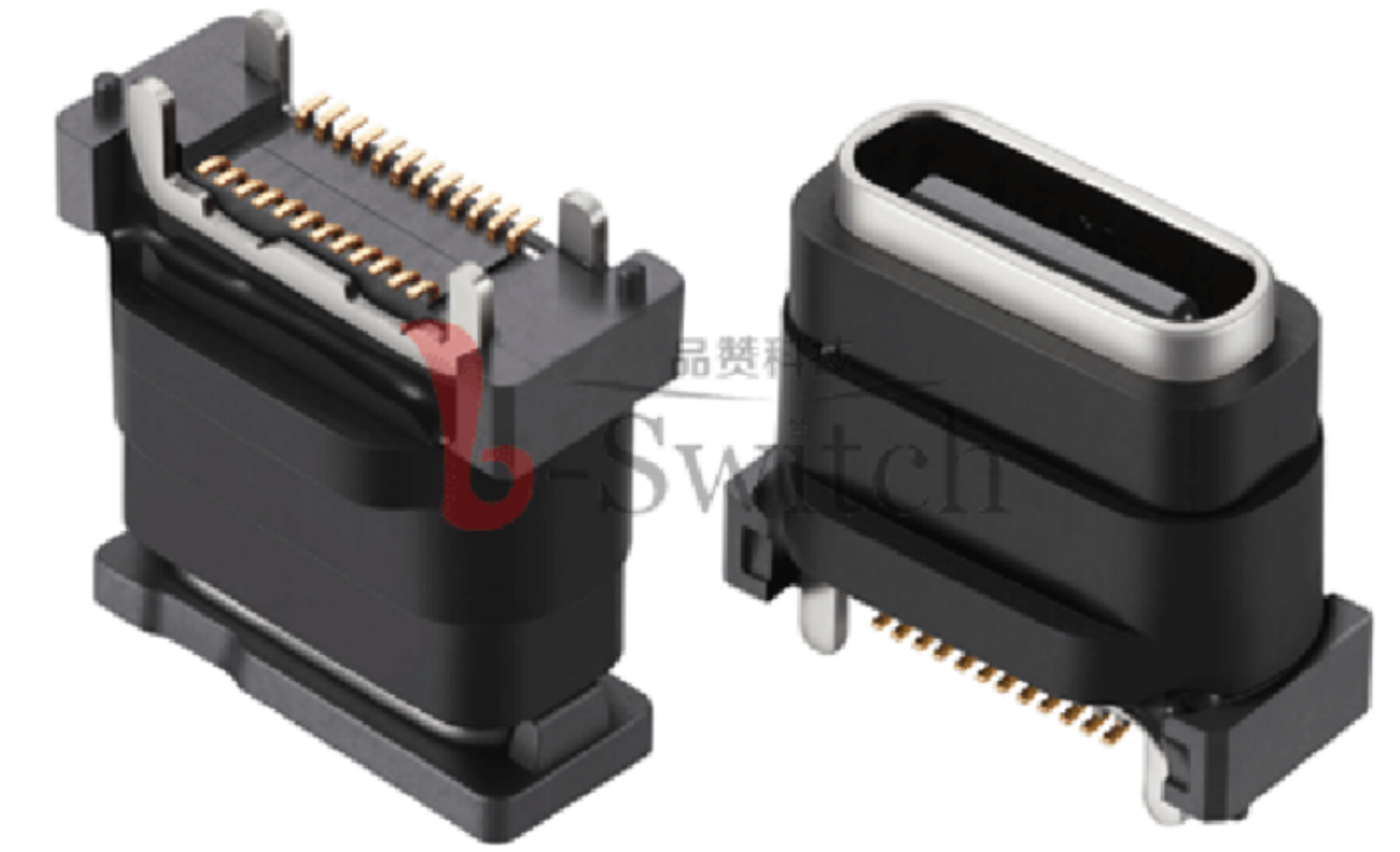
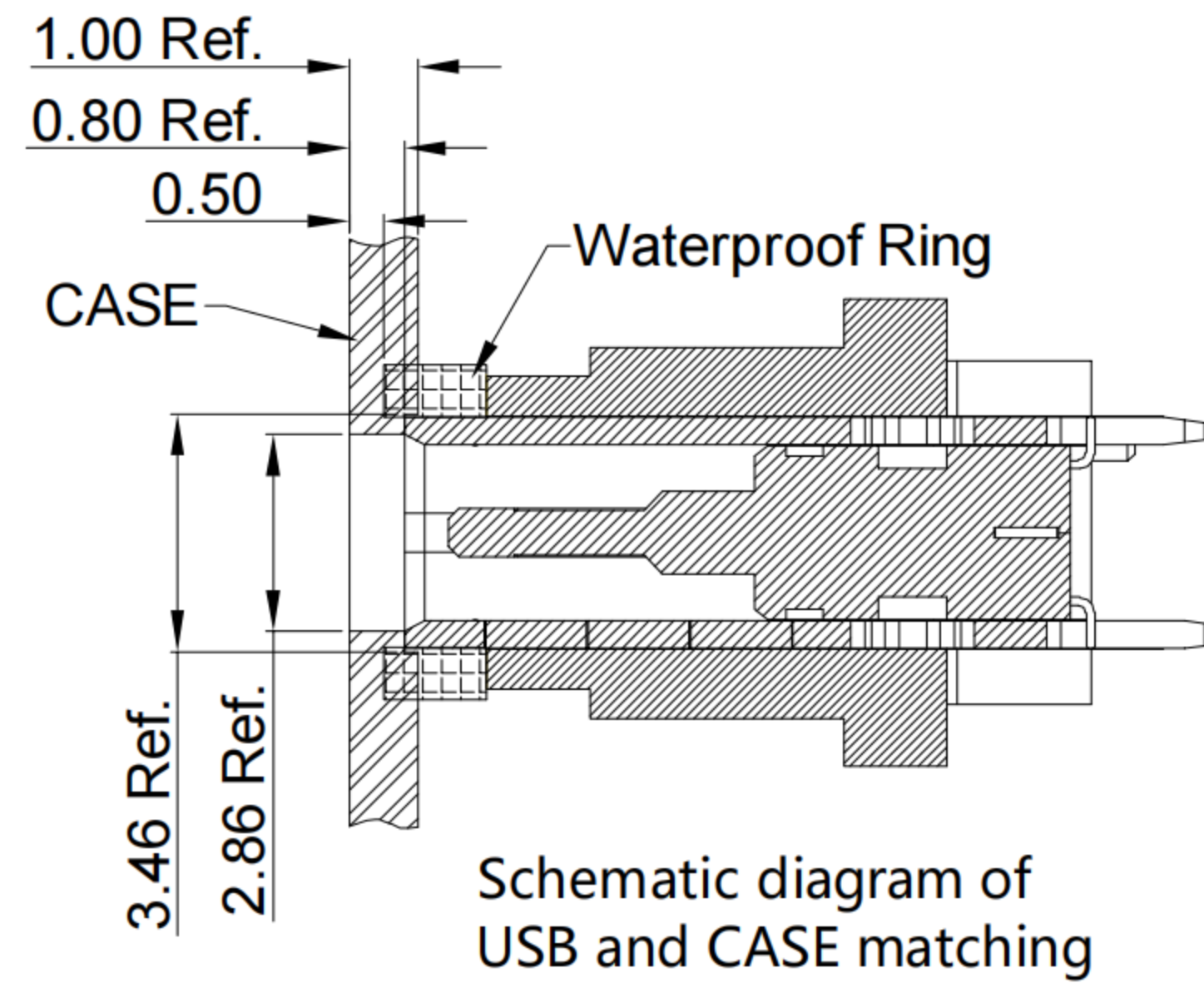
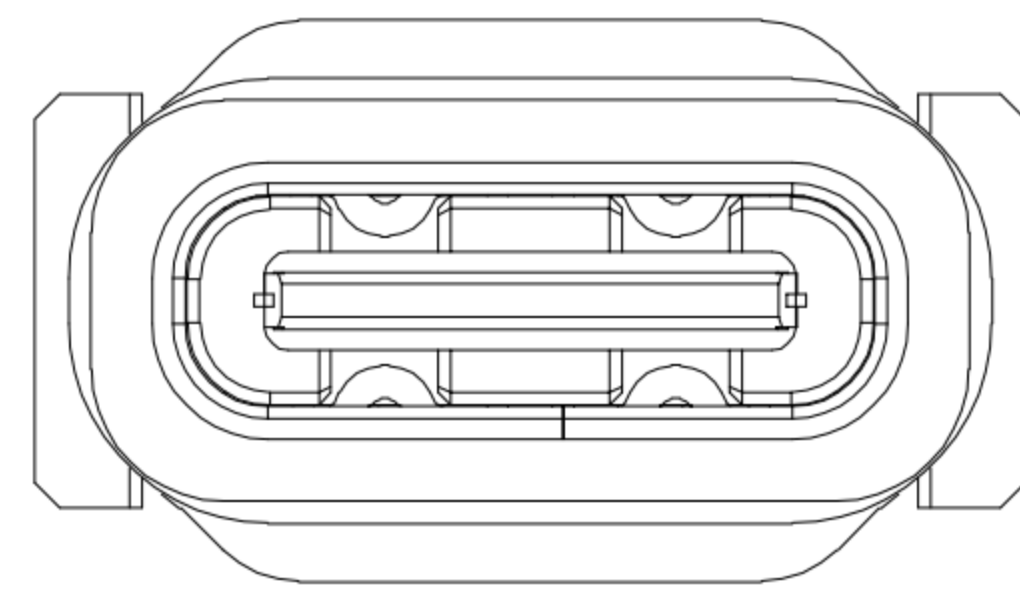
C

D

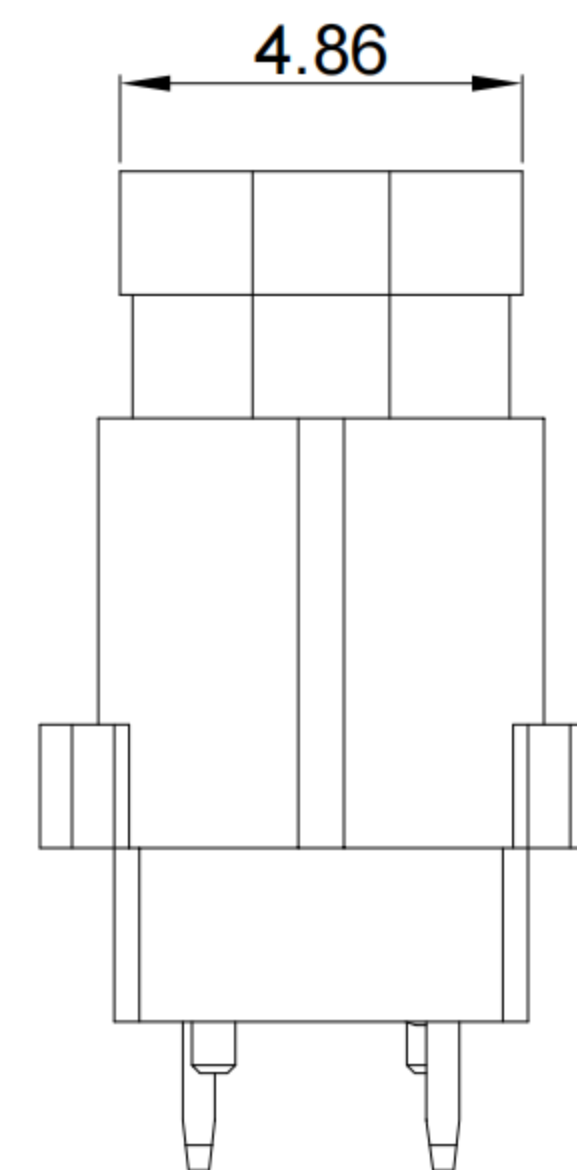
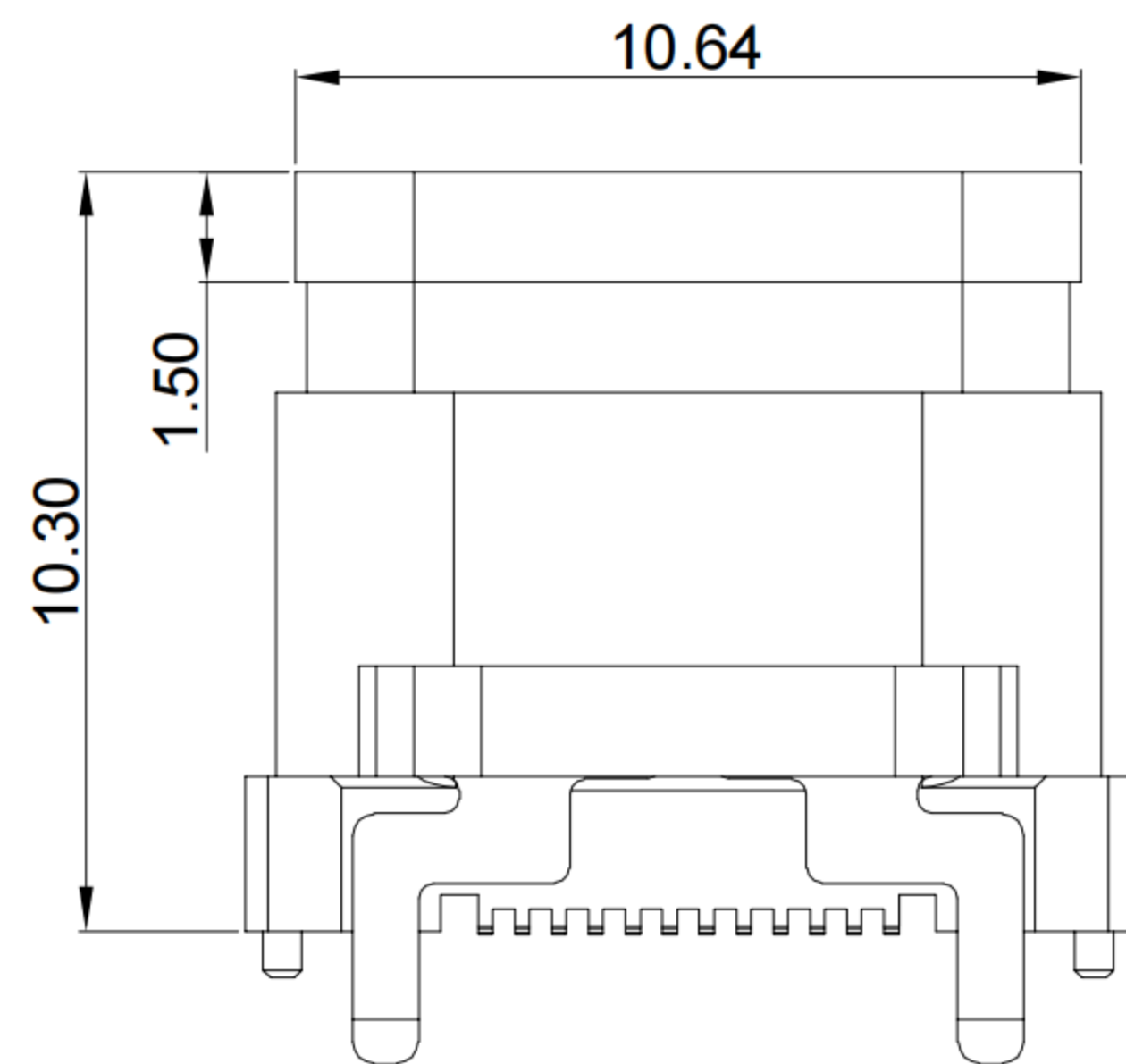
E

1

Schematic diagram of adding water-proof ring



2

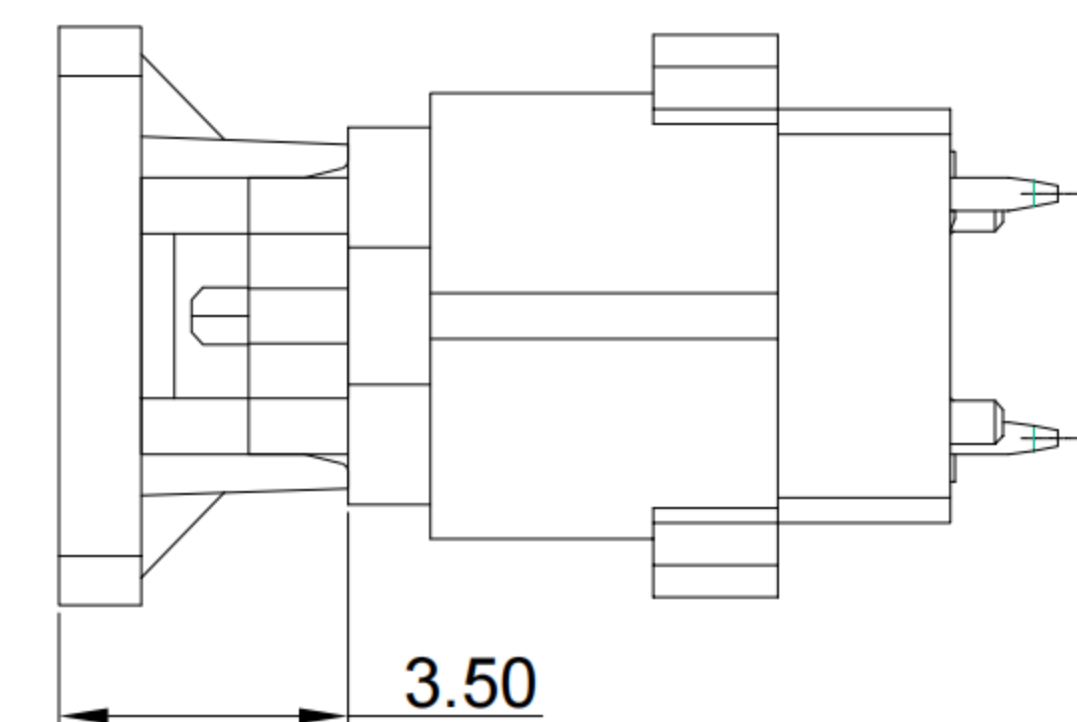
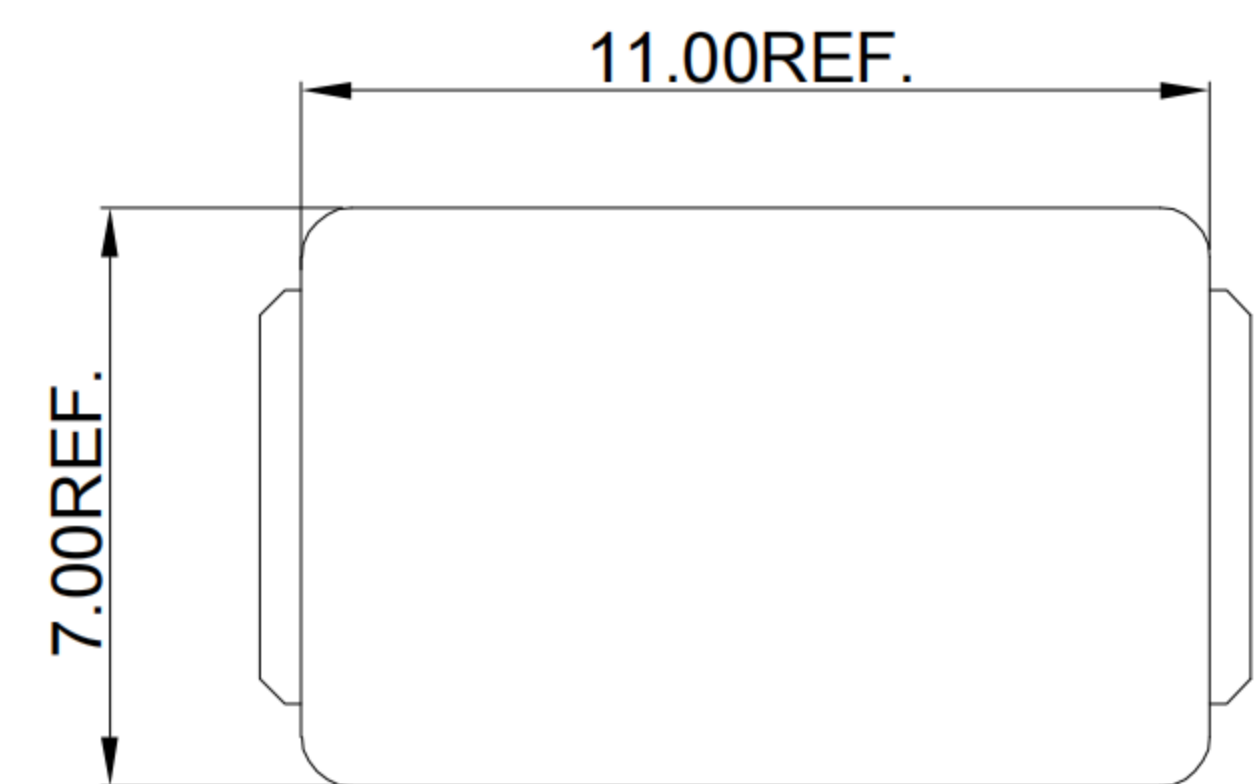


**G-Switch USB-C Specification:**

1. Current rated: 5A on Vbus/1.25A on Vconn/0.25A on other  
Voltage rating: 24V AC
2. Withstanding voltage: 100V AC/minute
3. Contact Resistance: 40mΩ Max
4. Insulation Resistance: 100MΩ Min
5. Operating temperature: -40 °C ~ +85 °C
6. Mating force: 5N~20N
7. Unmating force: 8N~20N
8. Durability Cycle: 10,000 Cycles
9. Data transmission rate up to 5Gbp/s
10. Waterproof Grade: IP-X8.

3

Schematic diagram of adding CAP



A1	A2	A3	A4	A5	A6	A7	A8	A9	A10	A11	A12
GND	TX1+	TX1-	VBUS	CC1	D+	D-	SBU1	VBUS	RX2-	RX2+	GND
First	Second	Second	First	Second	Second	Second	Second	First	Second	Second	First

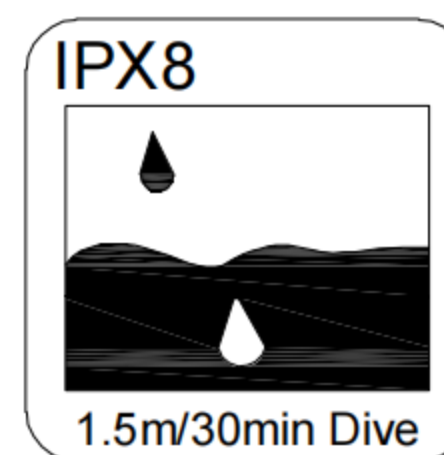
  

B12	B11	B10	B9	B8	B7	B6	B5	B4	B3	B2	B1
GND	RX1+	RX1-	VBUS	SBU2	D-	D+	CC2	VBUS	TX2-	TX2+	GND
First	Second	Second	First	Second	Second	Second	Second	First	Second	Second	First

4

5

1	SHELL	STAINLESS STEEL	NI PLATED
2	MIDDLE PLATE	STAINLESS STEEL	--
3	HOUSING	HIGH TEMPERATURE PLASTIC	BLACK UL 94 V-0
4	TERMINALS	COPPER ALLOY	Au PLATING ON CONTACT AREA
5	CAP	HIGH TEMPERATURE PLASTIC	BLACK UL 94 V-0
NO.	PARTS	MATERIAL	REMARKS



SCALE: 3:1 UNIT: mm  
SIZE: A4

Unless otherwise  
General Tolerance:  
X.x ±0.30  
X.xx ±0.20  
X.xxx ±0.10  
X.x° ±3°  
X.xx° ±2°

Title: Vertical Type-c 24P Female  
SMT H=10.0mm

Molde Code: GT-USB-7096B

DRAWN	CHECKED	APPROVED	DATE
Xia	Chen	Chen	2023.02.01



REV: A0 SHEET: 2/2

## X-ON Electronics

Largest Supplier of Electrical and Electronic Components

*Click to view similar products for [USB Connectors](#) category:*

*Click to view products by [G-Switch](#) manufacturer:*

Other Similar products are found below :

[950](#) [A-USB A-LP-SMT-C](#) [A-USB B-TOP-C](#) [MUSBD11135](#) [17-200721](#) [217450-1](#) [KMBVX-TH-5S-B30](#) [KUSBX-AS2N-W](#) [KUSBX-SMT2AP1S-W30](#) [935](#) [957](#) [30-498-6](#) [SK-60A-2](#) [1734082-1](#) [30-470](#) [30-489](#) [30-541](#) [MAB 5 S](#) [A-USB A-2P-C](#) [MIKROE-1451](#)  
[USBFTVSCCG](#) [1-1734084-2](#) [MUSBA81130](#) [NK-27-32SL](#) [NK-L8-22C-5/8](#) [10135326-001LF](#) [4198](#) [690-024-633-031](#) [UB-20PMFP-LC7001](#)  
[17-200011](#) [UB-20AFMM-LL7A01](#) [CAP-WCCMLPB1](#) [CAP-WCCMLPC1](#) [2274475-3](#) [914-614A2025S10200](#) [USB3FTV7SAGF059](#)  
[USB3FTV2SAZNF459](#) [USB3FTV7SAZNF459](#) [HYCW153-USBD05-500B](#) [HYCW219-USBD05-075B](#) [HYCW148-USBD05-117B](#)  
[HYCW149-USBD05-740B](#) [HYCW204-USBD05-108B](#) [HYCW214-USBA04-113B](#) [HYCW213-USBA04-113B](#) [KMMX-BSMT35S-1-B30TR](#)  
[2345986-1](#) [10082141-N340LF](#) [10117836-011LF](#) [GSB3C3133DSYHR](#)