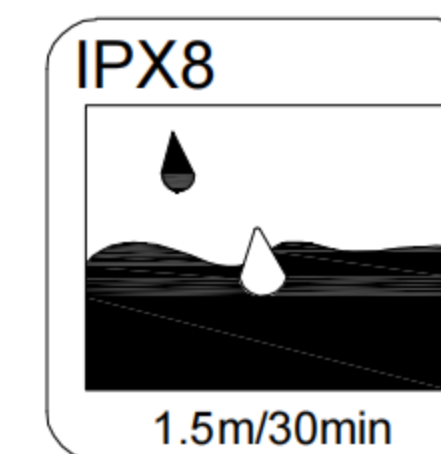
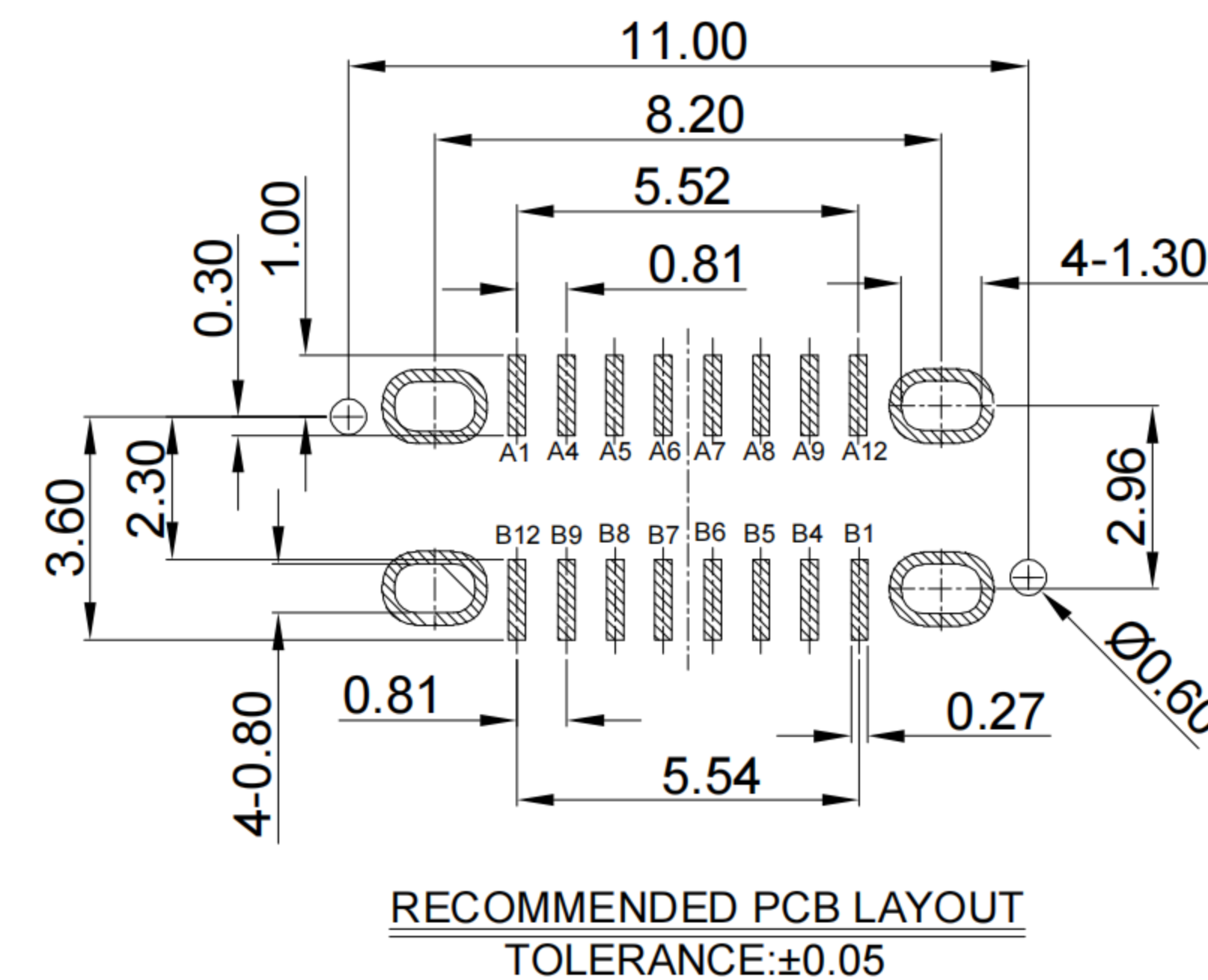
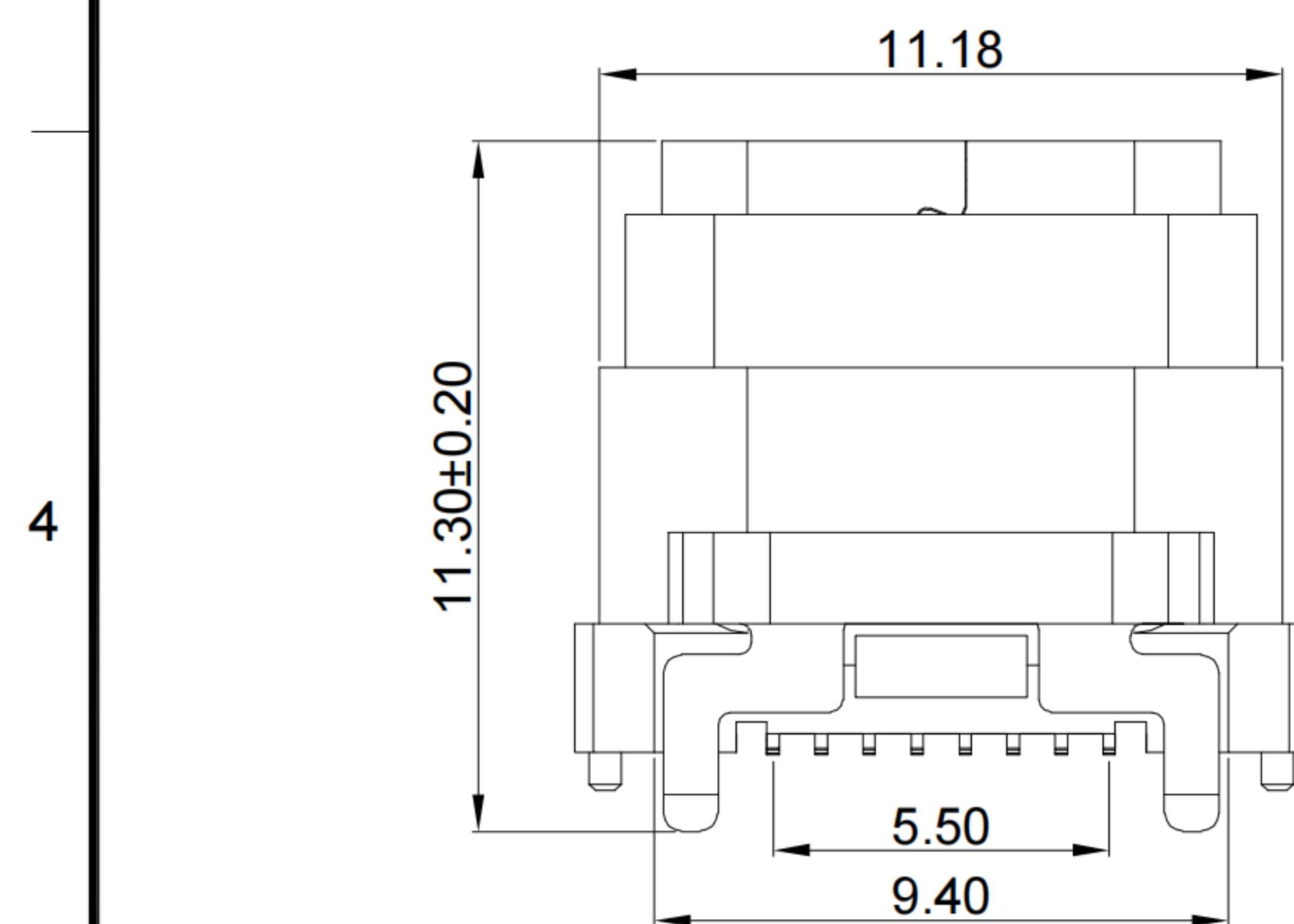


G-Switch USB-C Specification:

- Current rated: 5A on vbus/1.25A on vconn/0.25A on other
Voltage rating: 24V AC
- Withstanding voltage: 100V AC/minute
- Contact resistance: 40mΩ Max
- Insulation resistance: 100MΩ Min
- Operating temperature: -40°C ~ +85°C
- Mating force: 5N~20N
- Unmating force: 8N~20N
- Durability cycle: 10,000 cycles
- Waterproof grade: IP-X8



A1	A2	A3	A4	A5	A6	A7	A8	A9	A10	A11	A12
GND			VBUS	CC1	D+	D-	SBU1	VBUS			GND
First			First	Second	Second	Second	Second	First			First

B12	B11	B10	B9	B8	B7	B6	B5	B4	B3	B2	B1
GND			VBUS	SBU2	D-	D+	CC2	VBUS			GND
First			First	Second	Second	Second	Second	First			First

1	CAP	HIGH TEMPERATURE PLASTIC	BLACK
2	SHELL	STAINLESS STEEL	NI PLATED
3	MID PLATE	STAINLESS STEEL	--
4	HOUSING	HIGH TEMPERATURE PLASTIC	Black UL 94 V-0
5	TERMINALS	COPPER ALLOY	Au PLATING ON CONTACT AREA
NO.	PARTS	MATERIAL	REMARKS



SCALE: 1:1 UNIT: mm
SIZE: A4

Unless otherwise
General Tolerance:
X.x ±0.30
X.xx ±0.20
X.xxx ±0.10
X.x° ±3°
X.xx° ±2°

Title: Vertical Type-c 16P Female
SMT H=10.0mm

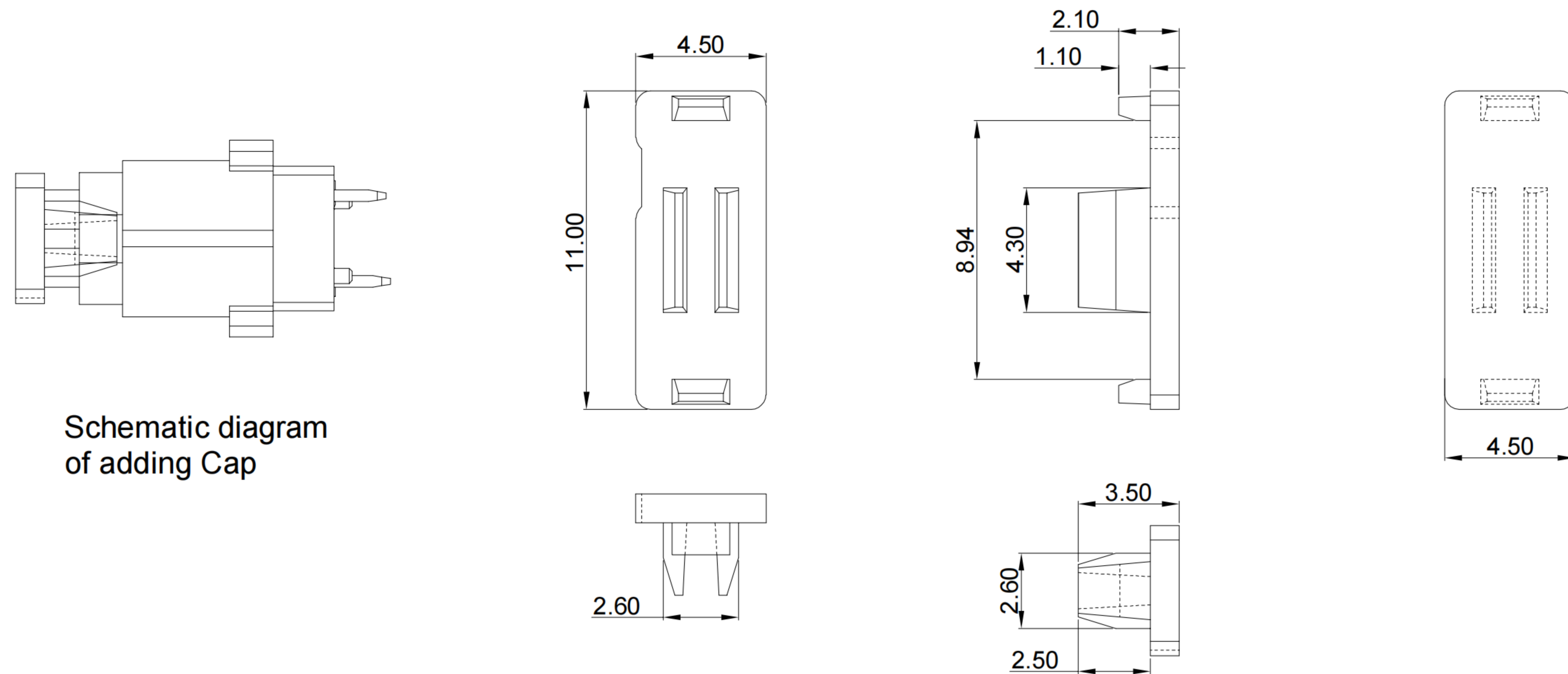
Molde Code: GT-USB-7096DA

DRAWN	CHECKED	APPROVED	DATE
Xia	Chen	Chen	2023.02.01

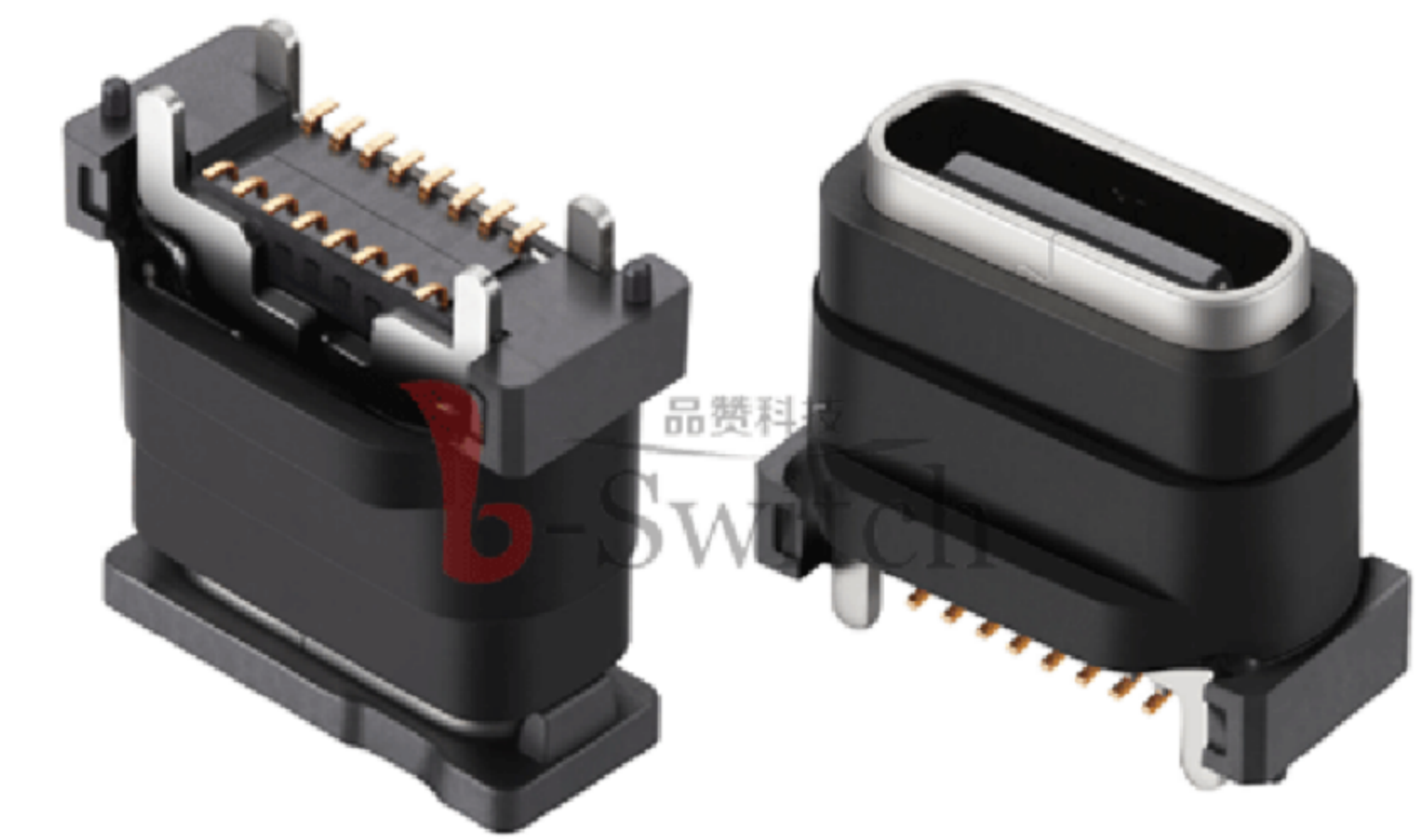


REV: A0 SHEET: 1/2

1

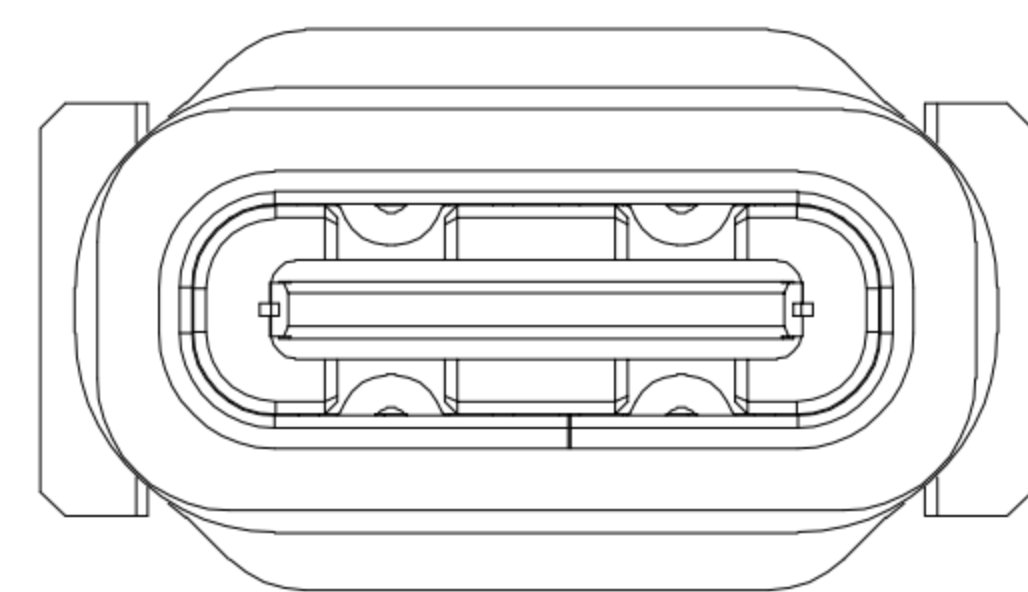


Schematic diagram of adding Cap



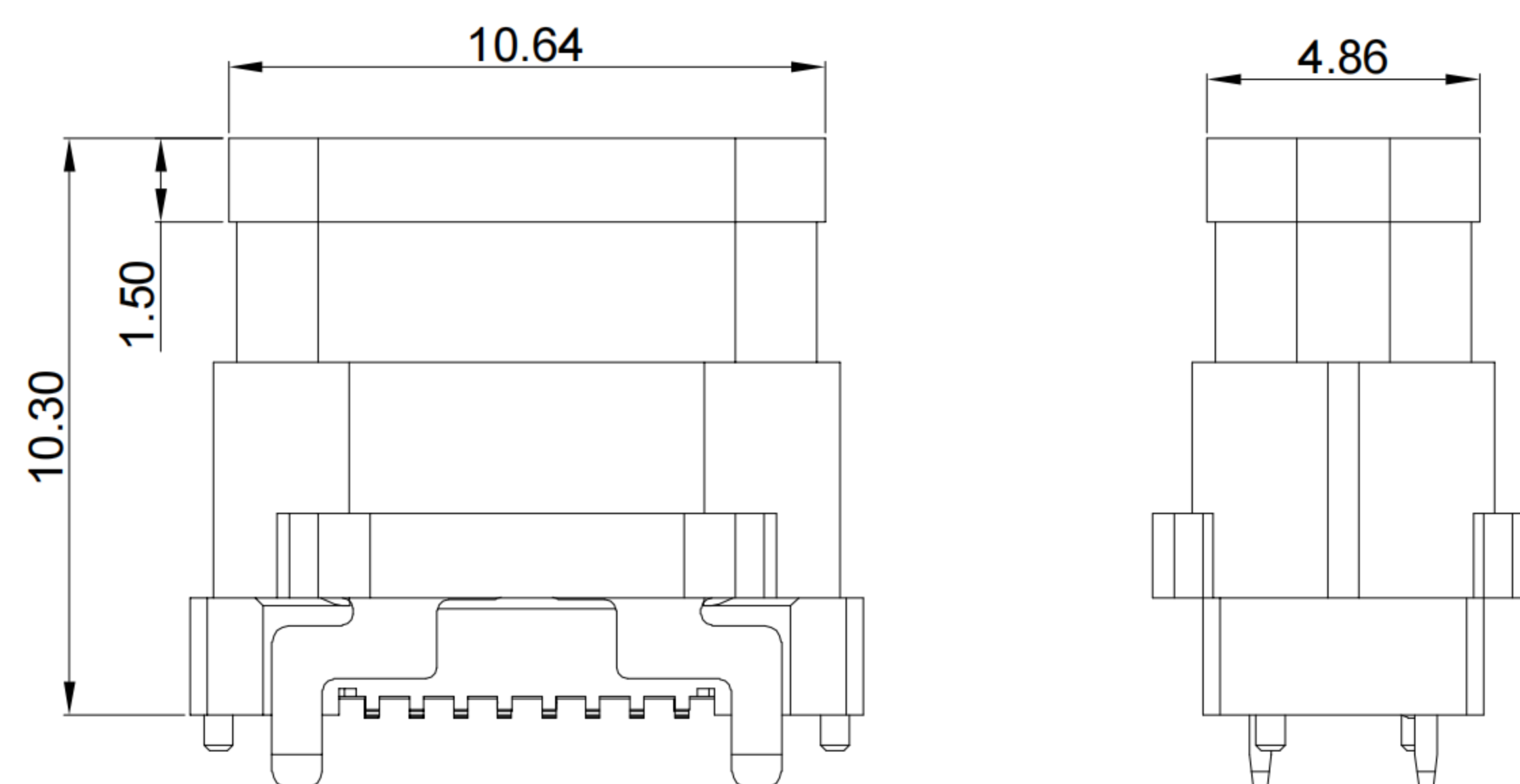
- G-Switch USB-C Specification:**
- 1.Current rated: 5A on vbus/1.25A on vconn/0.25A on other
Voltage rating: 24V AC
 - 2.Withstanding voltage: 100V AC/minute
 - 3.Contact resistance: 40mΩ Max
 - 4.Insulation resistance: 100MΩ Min
 - 5.Operating temperature: -40°C ~ +85°C
 - 6.Mating force: 5N~20N
 - 7.Unmating force: 8N~20N
 - 8.Durability cycle:10,000 cycles
 - 9.Waterproof grade: IP-X8

3



4

Schematic diagram of adding water-proof ring



A1	A2	A3	A4	A5	A6	A7	A8	A9	A10	A11	A12
GND			VBUS	CC1	D+	D-	SBU1	VBUS			GND
First			First	Second	Second	Second	Second	First			First
B12	B11	B10	B9	B8	B7	B6	B5	B4	B3	B2	B1
GND			VBUS	SBU2	D-	D+	CC2	VBUS			GND
First			First	Second	Second	Second	Second	First			First

5



SCALE: 1:1	UNIT: mm	Title: Vertical Type-c 16P Female SMT H=10.0mm	
SIZE: A4		Title: Vertical Type-c 16P Female SMT H=10.0mm	
Unless otherwise General Tolerance: X.x ±0.30 X.xx ±0.20 X.xxx ±0.10 X.x° ±3° X.xx° ±2°		Molde Code: GT-USB-7096DA	
DRAWN	CHECKED	APPROVED	DATE
Xia	Chen	Chen	2023.02.01
REV: A0		SHEET: 2/2	



X-ON Electronics

Largest Supplier of Electrical and Electronic Components

Click to view similar products for [USB Connectors](#) category:

Click to view products by [G-Switch](#) manufacturer:

Other Similar products are found below :

[950](#) [A-USB A-LP-SMT-C](#) [A-USB B-TOP-C](#) [MUSBD11135](#) [17-200721](#) [217450-1](#) [KMBVX-TH-5S-B30](#) [KUSBX-AS2N-W](#) [KUSBX-SMT2AP1S-W30](#) [935](#) [957](#) [30-498-6](#) [SK-60A-2](#) [1734082-1](#) [30-470](#) [30-489](#) [30-541](#) [MAB 5 S](#) [A-USB A-2P-C](#) [MIKROE-1451](#)
[USBFTVSCCG](#) [1-1734084-2](#) [MUSBA81130](#) [NK-27-32SL](#) [NK-L8-22C-5/8](#) [10135326-001LF](#) [4198](#) [690-024-633-031](#) [UB-20PMFP-LC7001](#)
[17-200011](#) [UB-20AFMM-LL7A01](#) [CAP-WCCMLPB1](#) [CAP-WCCMLPC1](#) [2274475-3](#) [914-614A2025S10200](#) [USB3FTV7SAGF059](#)
[USB3FTV2SAZNF459](#) [USB3FTV7SAZNF459](#) [HYCW153-USBD05-500B](#) [HYCW219-USBD05-075B](#) [HYCW148-USBD05-117B](#)
[HYCW149-USBD05-740B](#) [HYCW204-USBD05-108B](#) [HYCW214-USBA04-113B](#) [HYCW213-USBA04-113B](#) [KMMX-BSMT35S-1-B30TR](#)
[2345986-1](#) [10082141-N340LF](#) [10117836-011LF](#) [GSB3C3133DSYHR](#)