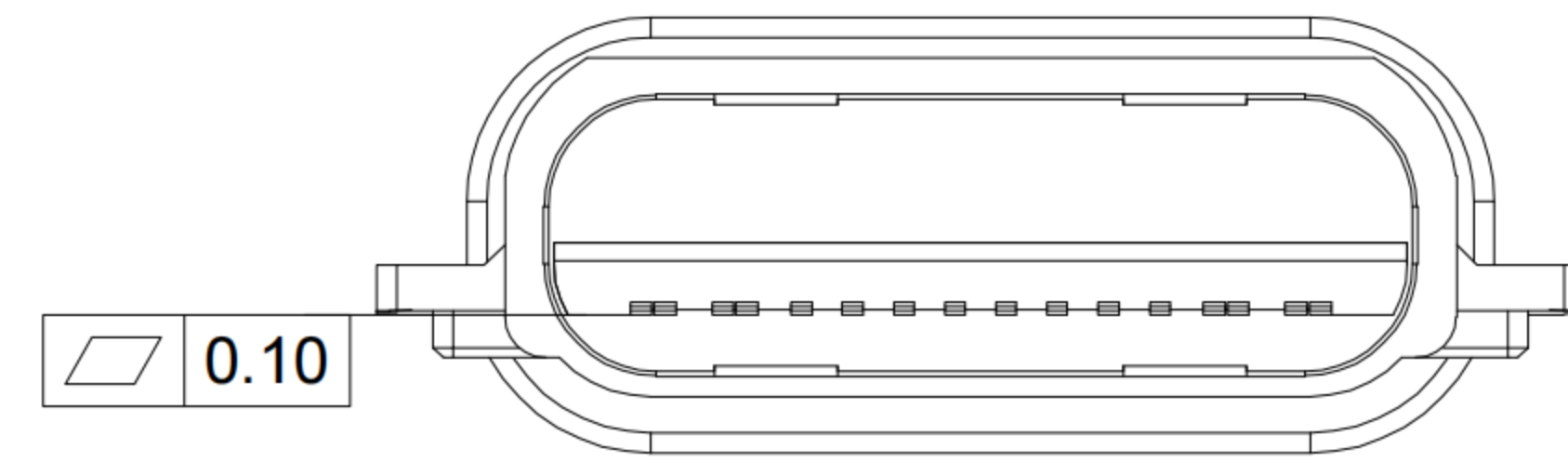
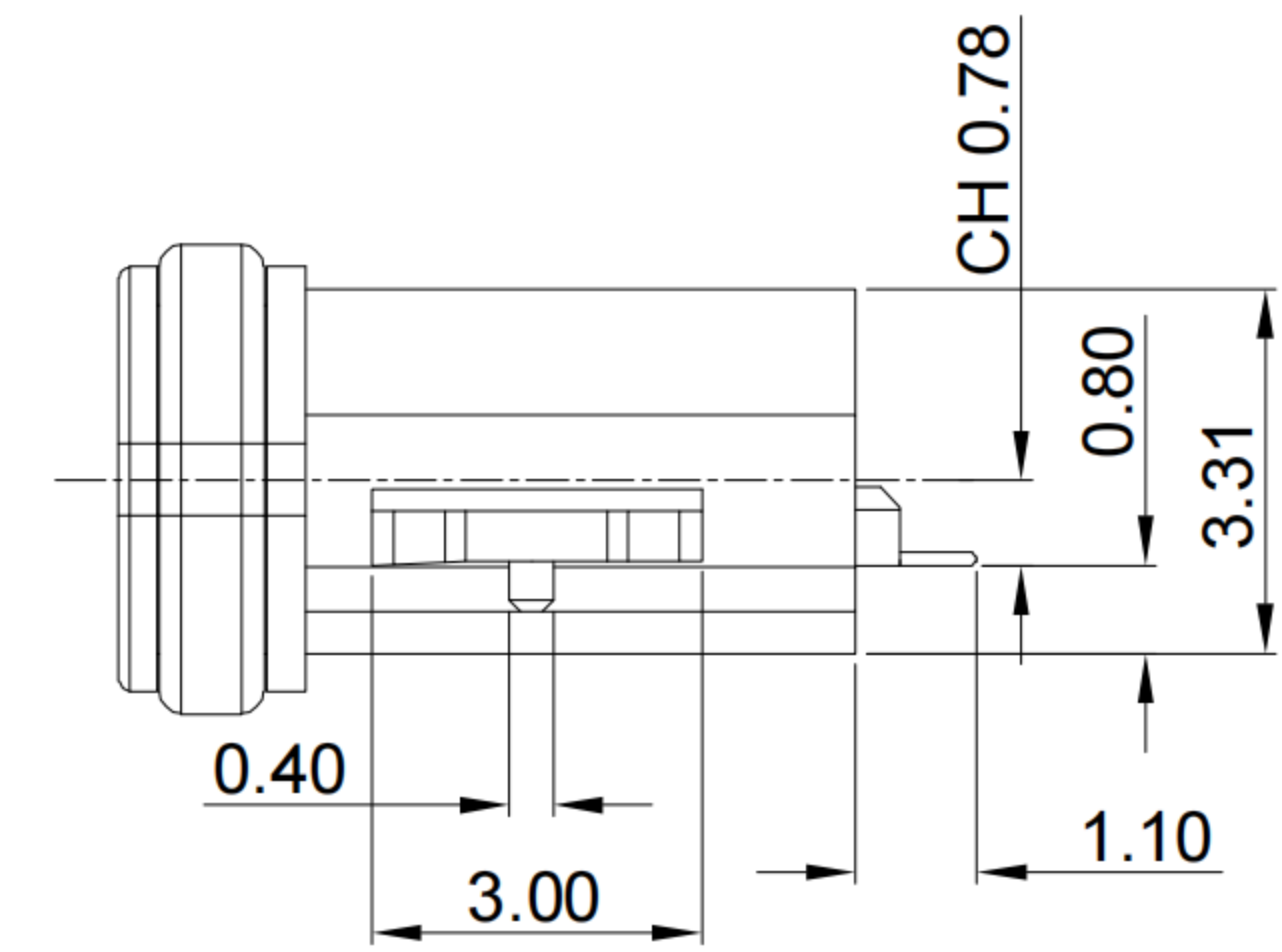
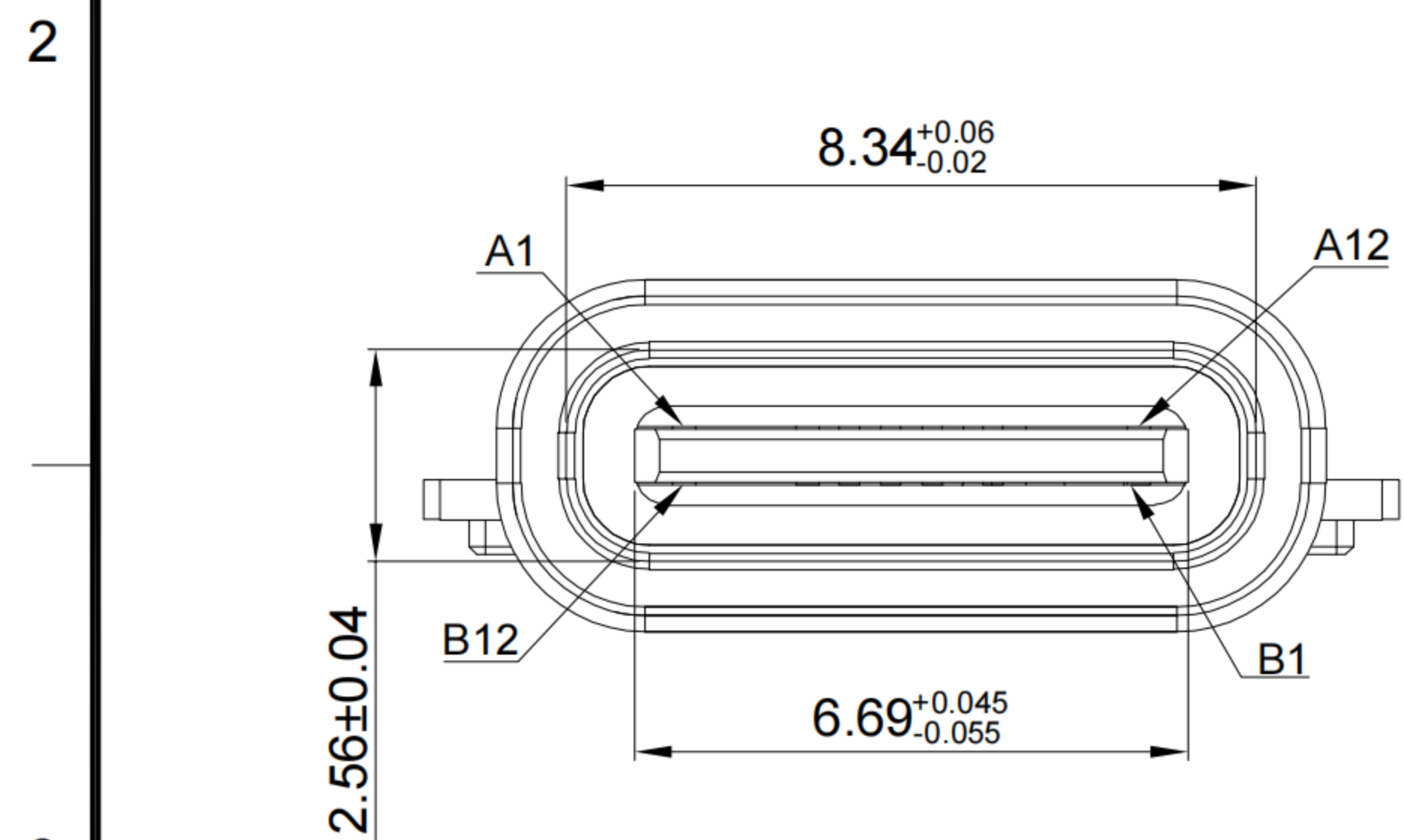
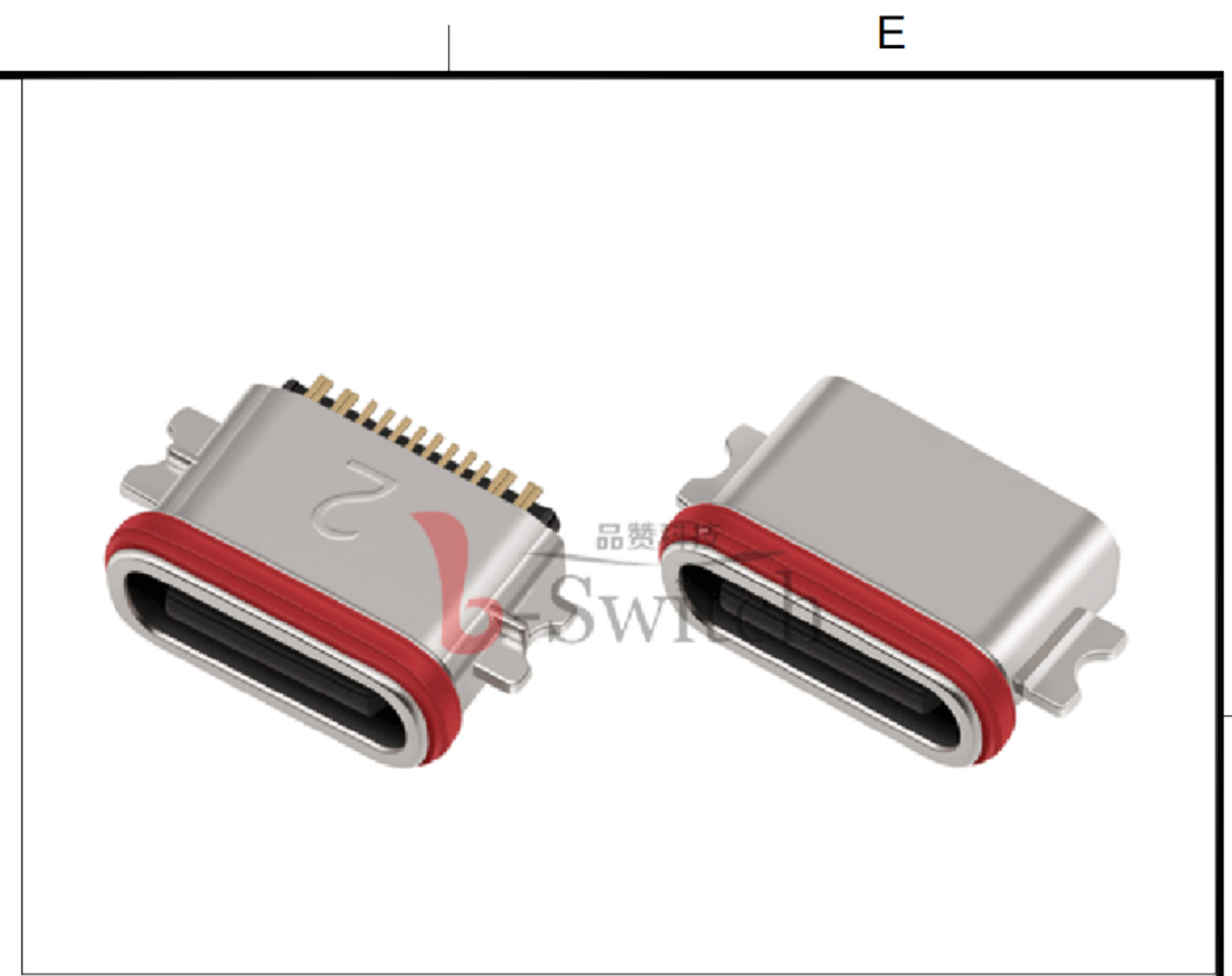
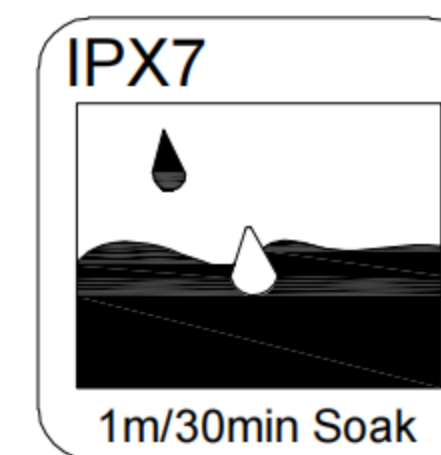
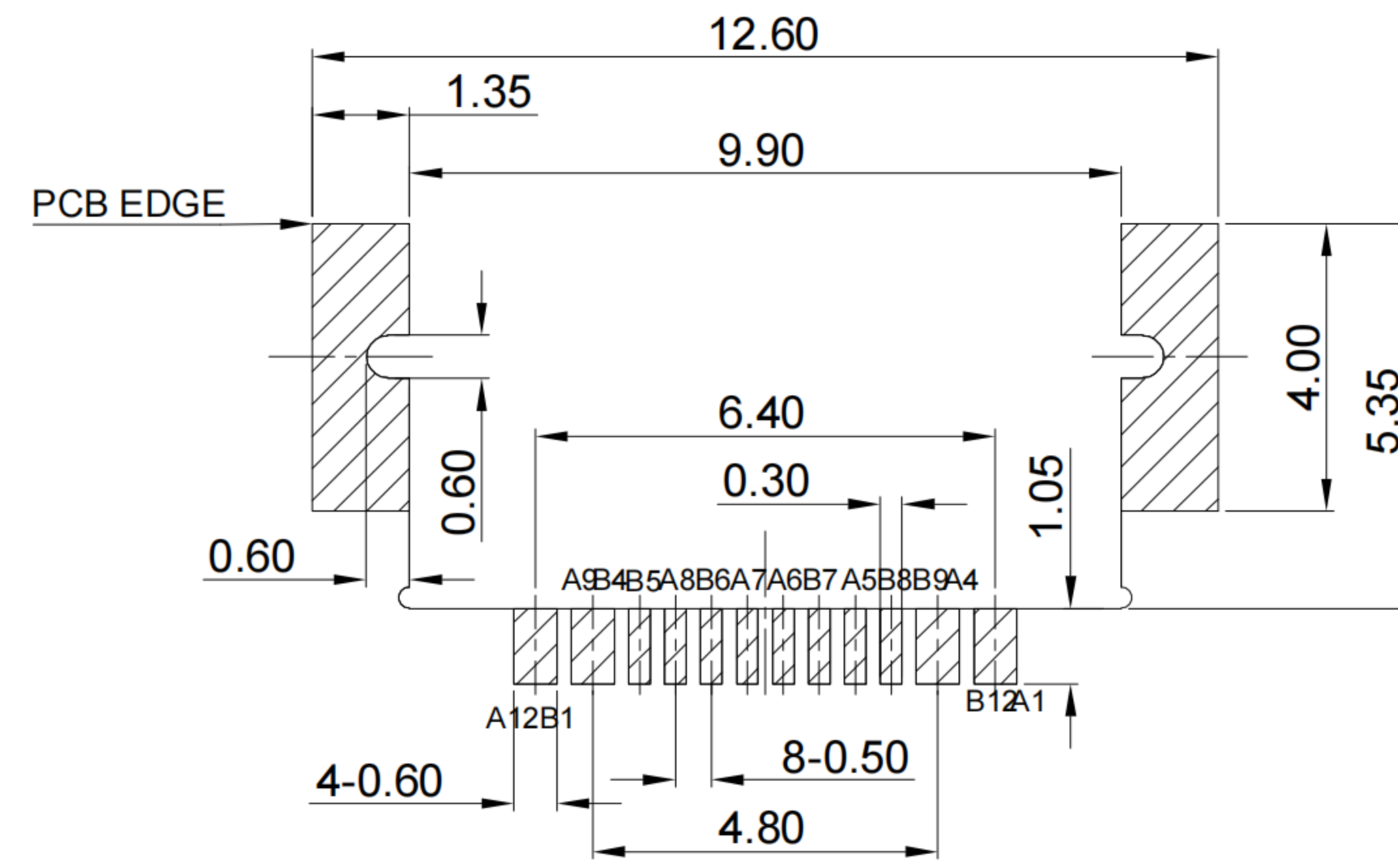
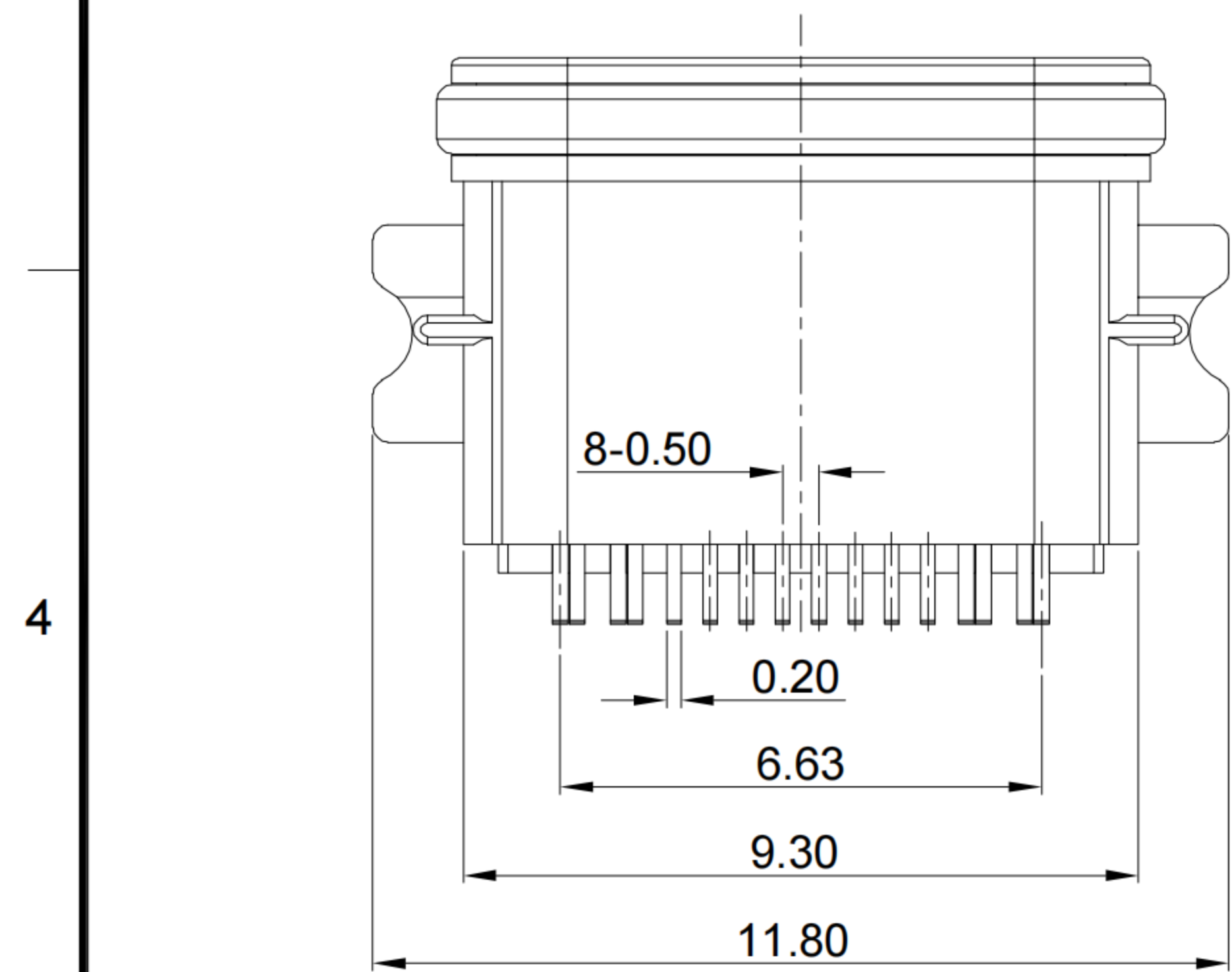


Schematic diagram of waterproof structure  
The thickness of the waterproof ring is 0.55, compressed to 0.14-0.2



**G-Switch USB-C Specification:**

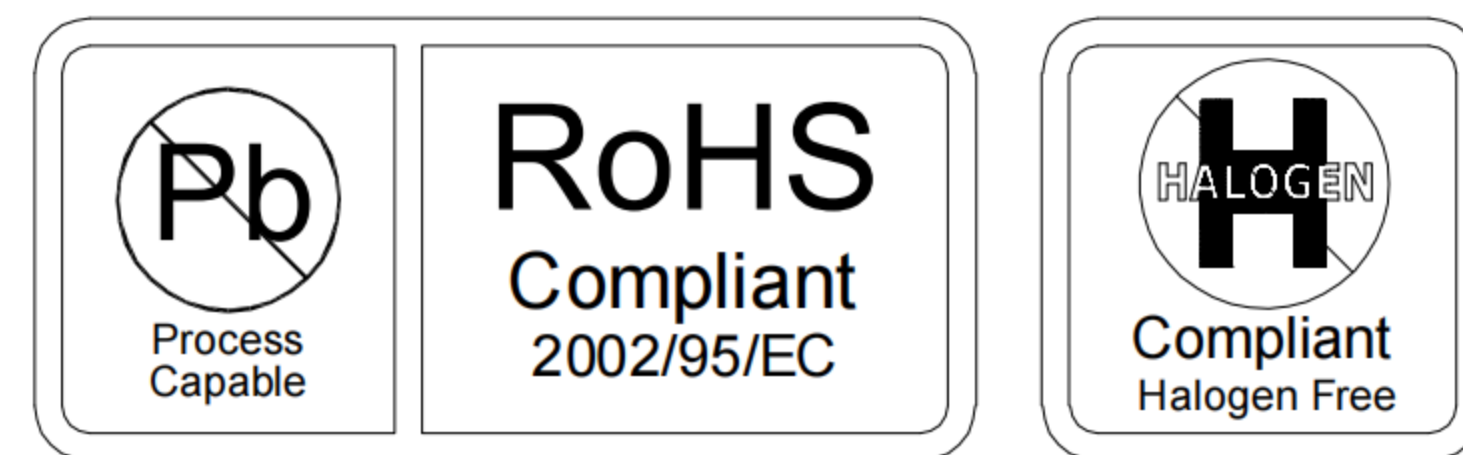
- Current rated: 5A on vbus/1.25A on vconn/0.25A on other  
Voltage rating: 24V AC
- Withstanding voltage: 100V AC/minute
- Contact resistance: 40mΩ Max
- Insulation resistance: 100MΩ Min
- Operating temperature: -40°C ~ +85°C
- Mating force: 5N~20N
- Unmating force: 8N~20N
- Durability cycle: 10,000 cycles
- Waterproof grade: IP-X7



RECOMMENDED PCB LAYOUT  
TOLERANCE ±0.05mm

|       |     |     |       |        |        |        |        |       |     |     |       |
|-------|-----|-----|-------|--------|--------|--------|--------|-------|-----|-----|-------|
| A1    | A2  | A3  | A4    | A5     | A6     | A7     | A8     | A9    | A10 | A11 | A12   |
| GND   |     |     | VBUS  | CC1    | D+     | D-     | SBU1   | VBUS  |     |     | GND   |
| First |     |     | First | Second | Second | Second | Second | First |     |     | First |
|       |     |     |       |        |        |        |        |       |     |     |       |
| B12   | B11 | B10 | B9    | B8     | B7     | B6     | B5     | B4    | B3  | B2  | B1    |
| GND   |     |     | VBUS  | SBU2   | D-     | D+     | CC2    | VBUS  |     |     | GND   |
| First |     |     | First | Second | Second | Second | Second | First |     |     | First |

|     |                 |                          |                            |
|-----|-----------------|--------------------------|----------------------------|
| 1   | SHELL           | ZN-ALLOY                 | NI PLATED                  |
| 2   | MID PLATE       | STAINLESS STEEL          | ---                        |
| 3   | HOUSING         | HIGH TEMPERATURE PLASTIC | LCP BLACK UL 94 V-0        |
| 4   | TERMINALS       | COPPER ALLOY             | Au PLATING ON CONTACT AREA |
| 5   | WATERPROOF RING | SILICA GEL               | WHITE OR RED               |
| NO. | PARTS           | MATERIAL                 | REMARKS                    |



SCALE: 1:1 UNIT: mm

SIZE: A4

Unless otherwise  
General Tolerance:  
X. ±0.20  
X.x ±0.15  
X.xx ±0.10  
X.xxx ±0.05  
Angles ±3°

Title: Horizontal Type-c 16P Female  
SMT Sink 0.8 CH=0.78 L=6.7mm

Molde Code: GT-USB-7103A

|       |         |          |            |
|-------|---------|----------|------------|
| DRAWN | CHECKED | APPROVED | DATE       |
| Xia   | Chen    | Chen     | 2022.12.08 |



REV: A0 SHEET: 1/1

## X-ON Electronics

Largest Supplier of Electrical and Electronic Components

*Click to view similar products for [USB Connectors](#) category:*

*Click to view products by [G-Switch](#) manufacturer:*

Other Similar products are found below :

[950](#) [A-USB A-LP-SMT-C](#) [A-USB B-TOP-C](#) [MUSBD11135](#) [17-200721](#) [217450-1](#) [KMBVX-TH-5S-B30](#) [KUSBX-AS2N-W](#) [KUSBX-SMT2AP1S-W30](#) [935](#) [957](#) [30-498-6](#) [SK-60A-2](#) [1734082-1](#) [30-470](#) [30-489](#) [30-541](#) [MAB 5 S](#) [A-USB A-2P-C](#) [MIKROE-1451](#)  
[USBFTVSCCG](#) [1-1734084-2](#) [MUSBA81130](#) [NK-27-32SL](#) [NK-L8-22C-5/8](#) [10135326-001LF](#) [4198](#) [690-024-633-031](#) [UB-20PMFP-LC7001](#)  
[17-200011](#) [UB-20AFMM-LL7A01](#) [CAP-WCCMLPB1](#) [CAP-WCCMLPC1](#) [2274475-3](#) [914-614A2025S10200](#) [USB3FTV7SAGF059](#)  
[USB3FTV2SAZNF459](#) [USB3FTV7SAZNF459](#) [HYCW153-USBD05-500B](#) [HYCW219-USBD05-075B](#) [HYCW148-USBD05-117B](#)  
[HYCW149-USBD05-740B](#) [HYCW204-USBD05-108B](#) [HYCW214-USBA04-113B](#) [HYCW213-USBA04-113B](#) [KMMX-BSMT35S-1-B30TR](#)  
[2345986-1](#) [10082141-N340LF](#) [10117836-011LF](#) [GSB3C3133DSYHR](#)