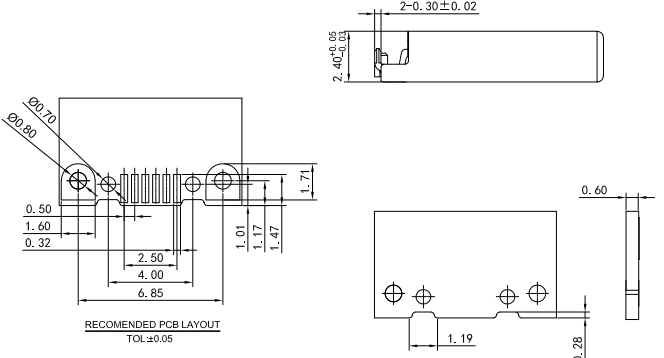
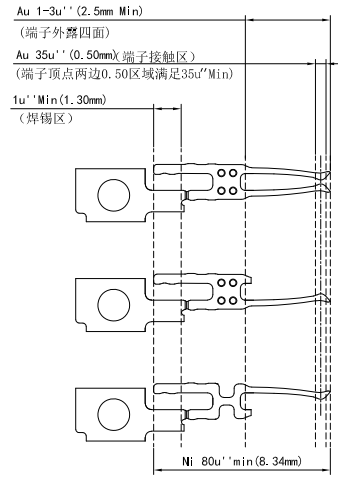


**Explain:**

- Electrical performance:**
  - Rated voltage: 30V AC, max;
  - Rated current: 8A;
  - Initial contact resistance: 40m Ω;
  - IR test: A, production: 500V DC, 0.1s, 50m Ω; b, Certification: 500V DC, 60s, 100m Ω;
  - Hi pot test: A, production: 300V AC, 0.1s, 0.5mA; b, Certification: 300V AC, 60s, 0.5mA;
- Mechanical properties:**
  - Overall insertion force: 5-20N;
  - Overall pull-out force: 8-20N (0-1000 times measured by plugging), 6-20N (1000-10000 times measured by plugging);
  - Durability test: 20-30 times / min, 10000 times, 5000 times in the positive and negative directions;
  - After the durability test, the change between the contact Impedance of each single pin and the Initial value shall not exceed 10m Ω, and the plugging force shall be Meet the requirements and the terminal is free of deformation, fracture, curl and other phenomena;
- Environmental performance:**
  - Salt spray test: NaCl solution with salt spray concentration of 5% by mass, pH value (6.5-7.2), and then at 35 °C ;  
The condition is continuous spray (PIN needle 48 hours, iron shell 24 hours), then move out for 16 hours to dry.  
Salt spray requirements: after 24-hour test, the appearance of the sample iron shell and a-end shall have no obvious change, such as rust and discoloration  
Coating peeling, etc. After 48 hours of test, the pin pin of the sample is not bright under the 40x magnifying glass  
Obvious changes, such as corrosion, discoloration, coating peeling, etc
  - Temperature rise test: usb-c VBUS / GND is powered on for 5A (4 pairs of pins), usb-c / a D + / D - non power pin is powered on for 0.25A;  
Test at 25 ° C and test after 30 minutes of stable temperature. For plug monomer test, it is required to meet any requirements  
The point temperature rise is not allowed to exceed 30 degrees
  - The materials and process of this product meet the requirements of Huawei's latest version of prohibited substances, halogen-free, phthalate free and trioxide free  
Antimony, beryllium and their compounds, ROHS, WEEE, reach requirements
- The actual inspection data must be recorded for the dimension marked "⊕" and the dimension marked "⊗" is CPK

**镀层管理示意图:**



7	外壳	1PCS	SUS316L, HV300-340, 半光镍 (喷砂) 80-150μ, 盐雾48H
6	卡钩	1PCS	SUS301-H(日本金属), 430-490HV, T=0.3
5	卡钩MOLDING	1PCS	PA46 HXF31S(帝斯曼), 黑色
4	端子3	1PCS	C7035 TM04 T=0.25, 维兰德, 端子接触区镀金45u''Min, 端子焊锡区镀金1u''Min, 全区镀镍80u''Min, 盐雾48H
3	端子2	3PCS	C7035 TM04 T=0.20, 维兰德, 端子接触区镀金45u''Min, 端子焊锡区镀金1u''Min, 全区镀镍80u''Min, 盐雾48H
2	端子1	4PCS	C7035 TM04 T=0.25, 维兰德, 端子接触区镀金45u''Min, 端子焊锡区镀金1u''Min, 全区镀镍80u''Min, 盐雾48H
1	胶芯	1PCS	PA9T GP2450, 30%GF, (紫/黑/白/绿/红/黄色)
项目	零件	数量	材质规格

**Pin definition:**

A12	GND	B1	GND
A9	VBUS	B4	V-BUS
A7	Dn1	B5	CC2
A6	Dp1	B9	V-BUS
A5	CC1	B12	GND
A4	V-BUS		
A1	GND		
PIN	功能	PIN	功能

**b-Switch** 品赞科技®

**G-Switch Electronic (HongKong) CO., Ltd.**

Unless otherwise specified, Tolerance:	DESIGN Li Qingqi	DATE 2022.04.22	Molde code:	
X, ±0.30	CHECKED	DATE	GT-USB-8011A	
X.x ±0.20	APPROVED	DATE	REV.: X1	SCALE: 4:1
X.xx ±0.15	http://www.dg-switch.com		UNIT: mm	
X.xxx ±0.10	TEL:0769-82388879		SIZE: A4	SHEET: 1/1
Angles ±3°				

## X-ON Electronics

Largest Supplier of Electrical and Electronic Components

*Click to view similar products for [USB Connectors](#) category:*

*Click to view products by [G-Switch](#) manufacturer:*

Other Similar products are found below :

[950](#) [A-USB B-TOP-C](#) [MUSBA511N5](#) [MUSBC111M5](#) [MUSBD11135](#) [17-200721](#) [217450-1](#) [KMBVX-TH-5S-B30](#) [896-30-004-00-000000](#)  
[KUSBX-AS2N-W](#) [KUSBX-SMT2AP1S-W30](#) [935](#) [957](#) [30-498-6](#) [SK-60A-2](#) [1734082-1](#) [30-1574](#) [30-470](#) [30-489](#) [30-541](#) [A-USB A-2P-C](#)  
[MIKROE-1451](#) [USBFTV2PEM2G](#) [USBFTVSCCG](#) [4689-1](#) [1-1734084-2](#) [MUSBC11135](#) [USBF21ZNSCC](#) [USBBFTV6ZC](#) [MUSBB151341](#)  
[10135326-001LF](#) [M9177/3-1](#) [TJ-105](#) [USB-A-S-F-B-VT](#) [4198](#) [690-024-633-031](#) [UB-20PMFP-LC7001](#) [USBFTVC6MRG](#) [UA-20BMFA-](#)  
[SL8001](#) [17-200011](#) [USBFTVC7ZC](#) [UB-20AFMM-LL7A01](#) [USBFTVC2MN](#) [CAP-WCCMLPB1](#) [1310-1031-01](#) [2041386-1](#) [2274475-3](#) [UB-](#)  
[20BMFA-SL8001](#) [UB-20PMFP-SC8003](#) [914-614A2025S10200](#)