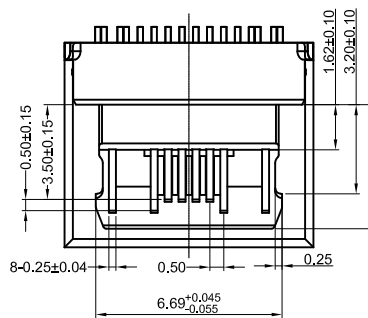


SECTION A-A
SCALE 1:1

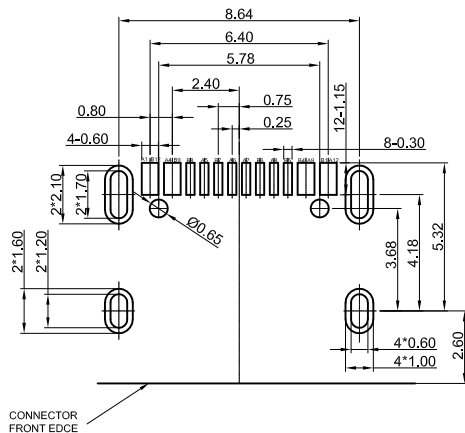


SECTION B-B
SCALE 1:1

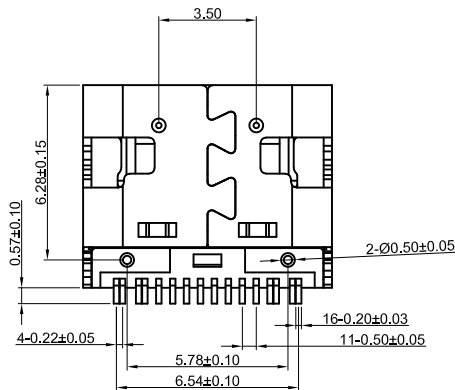
NOTES:

SPECIFICATION:

1. CURRENT RATING: 5A MAX
2. VOLTAGE: 20V MAX. WITHSTANDING VOLTAGE: 100V AC
3. TEMPERATURE RANGE: -55 °C ~ 85 °C
4. CONTACT RESISTANCE: 40 MILLIONHM MAX
5. INSULATION RESISTANCE: 100 MEGOHMS MIN.
6. LNSERTION FORCE : 5N~20N
7. UNMATING FORCE: 8N~20N
8. DURABILITY: 10,000 CYCLES

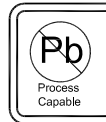


RECOMMENDED P.C.B. LAYOUT
TOLERANCE UNSPECIFIED ±0.05mm



PIN	SIGNAL NAME	PIN	SIGNAL NAME	NO.	DESCRIPTION	MATERIAL	REMARKS	QTY
A1	GND	B12	GND	6	SHELL	STAINLESS STEEL SUS201	N/ISN Plated	1PCS
A4	VBUS	B9	VBUS	5	SHIELDING PLATE	STAINLESS STEEL SUS304	---	1PCS
A5	CC1	B8	SBU2					
A6	DP1	B7	DN2	4	MD	HIGH TEMPERATURE PLASTIC	BLUE	1PCS
A7	DN1	B6	DP2	3	CONTACT	COPPER ALLOY C7025TM03	Au3U*/Ni50U*/Sn100U* Plated	1SET
A8	SBU1	B5	CC2	2	CONTACT	COPPER ALLOY C7025TM03	Au3U*/Ni50U*/Sn100U* Plated	1SET
A9	VBUS	B4	VBUS	1	CONTACT	COPPER ALLOY C7025TM03	Au3U*/Ni50U*/Sn100U* Plated	1SET
A12	GND	B1	GND	1	HOUSING	HIGH TEMPERATURE PLASTIC	BLUE	1PCS

此产品符合
USB协会认证
规范TID:7341

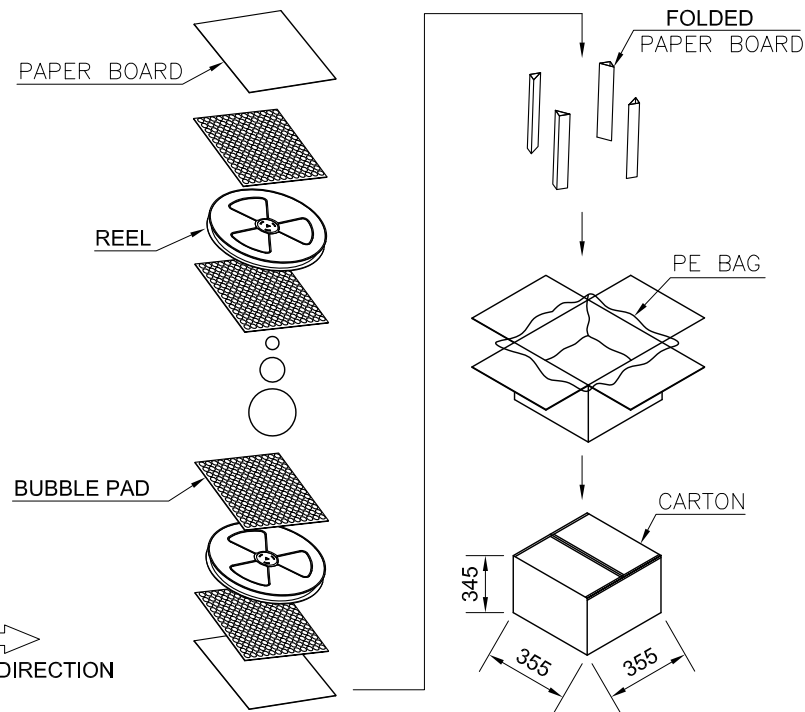
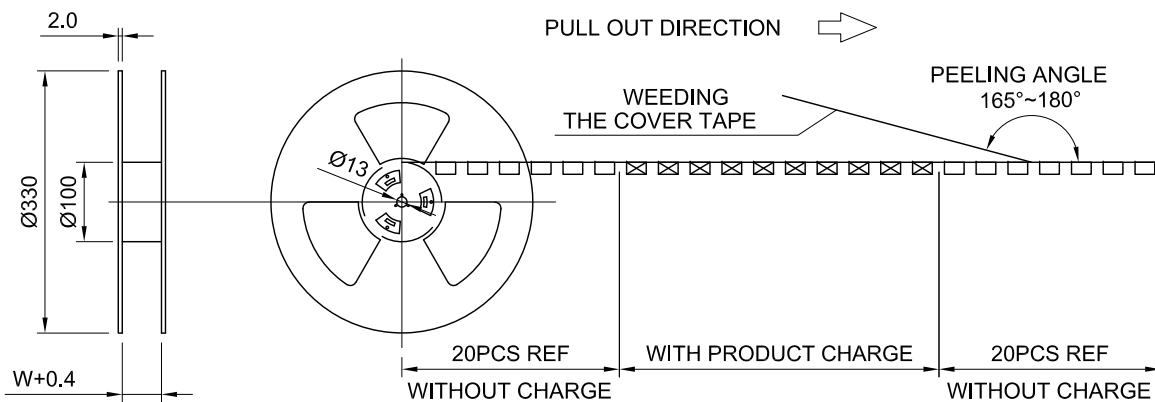


Pinzan Electronics (Dongguan) Co., Ltd.

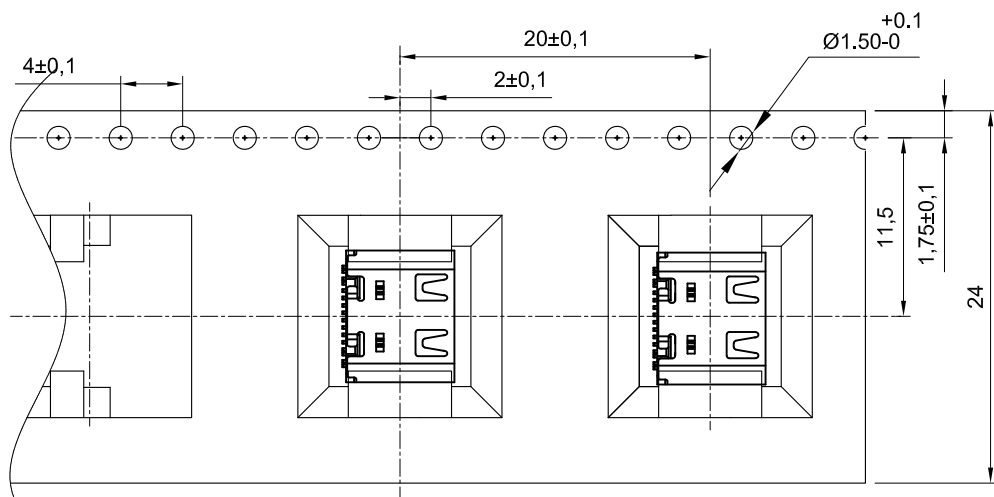
Unless otherwise specified, Tolerance:
X. ±0.30
X.x ±0.20
X.xx ±0.15
X.xxx ±0.10
Angles ±3°

DESIGN Li Qingqi DATE 2021.11.11
Specifications Type-C Receptacle 16pin onboarding
<http://www.dg-switch.com>
TEL:0769-82388879

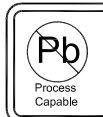
Mold code:
品赞GT-USB-9010AB
REV.: X1 SCALE: 4:1 UNIT: mm
SIZE: A4 SHEET: 1/1



NOTE:
1. QUANTITY: 1000 PCS/REEL, 10000PCS/CARTON.



此产品符合
USB协会认证
规范TID:7341



Pinzan Electronics (Dongguan) Co., Ltd.

Unless otherwise specified, Tolerance:
X. ±0.30
X.x ±0.20
X.xx ±0.15
X.xxx ±0.10
Angles ±3°

DESIGN Li Qingqi DATE 2021.11.11
Specifications Type-C Receptacle 16pin onboarding
<http://www.dg-switch.com>
TEL:0769-82388879

Molde code:
品赞GT-USB-9010AB
REV.: X1 SCALE: 4:1 UNIT: mm
SIZE: A4 SHEET: 1/1



X-ON Electronics

Largest Supplier of Electrical and Electronic Components

Click to view similar products for [USB Connectors](#) category:

Click to view products by [G-Switch](#) manufacturer:

Other Similar products are found below :

[950](#) [A-USB B-TOP-C](#) [MUSBA511N5](#) [MUSBC111M5](#) [MUSBD11135](#) [17-200721](#) [217450-1](#) [KMBVX-TH-5S-B30](#) [896-30-004-00-000000](#)
[KUSBX-AS2N-W](#) [KUSBX-SMT2AP1S-W30](#) [935](#) [957](#) [30-498-6](#) [SK-60A-2](#) [1734082-1](#) [30-1574](#) [30-470](#) [30-489](#) [30-541](#) [A-USB A-2P-C](#)
[MIKROE-1451](#) [USBFTV2PEM2G](#) [USBFTVSCCG](#) [4689-1](#) [1-1734084-2](#) [MUSBC11135](#) [USBF21ZNSCC](#) [USBBFTV6ZC](#) [MUSBB151341](#)
[10135326-001LF](#) [M9177/3-1](#) [TJ-105](#) [USB-A-S-F-B-VT](#) [4198](#) [690-024-633-031](#) [UB-20PMFP-LC7001](#) [USBFTVC6MRG](#) [UA-20BMFA-](#)
[SL8001](#) [17-200011](#) [USBFTVC7ZC](#) [UB-20AFMM-LL7A01](#) [USBFTVC2MN](#) [CAP-WCCMLPB1](#) [1310-1031-01](#) [2041386-1](#) [2274475-3](#) [UB-](#)
[20BMFA-SL8001](#) [UB-20PMFP-SC8003](#) [914-614A2025S10200](#)