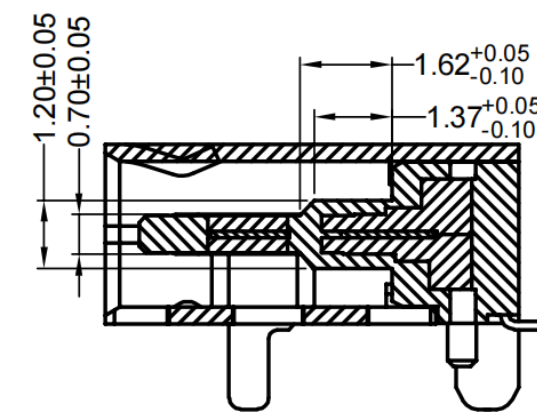
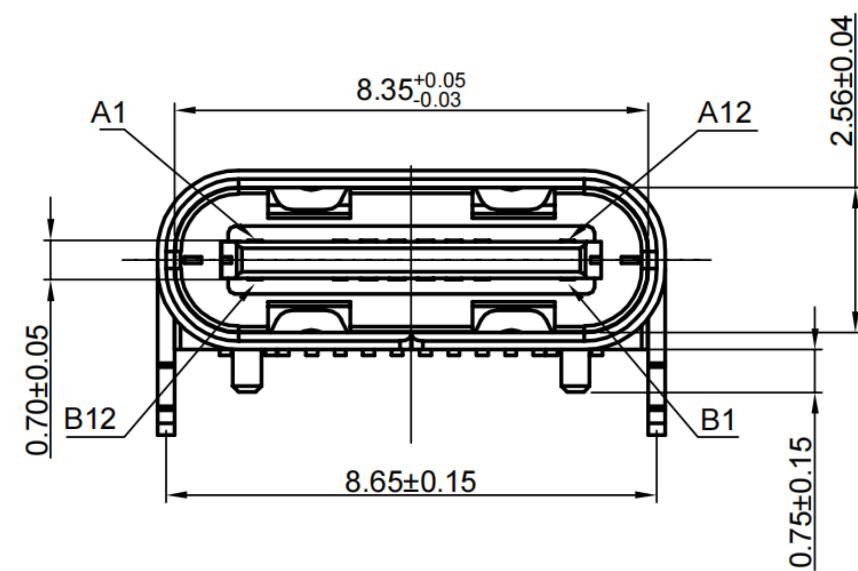
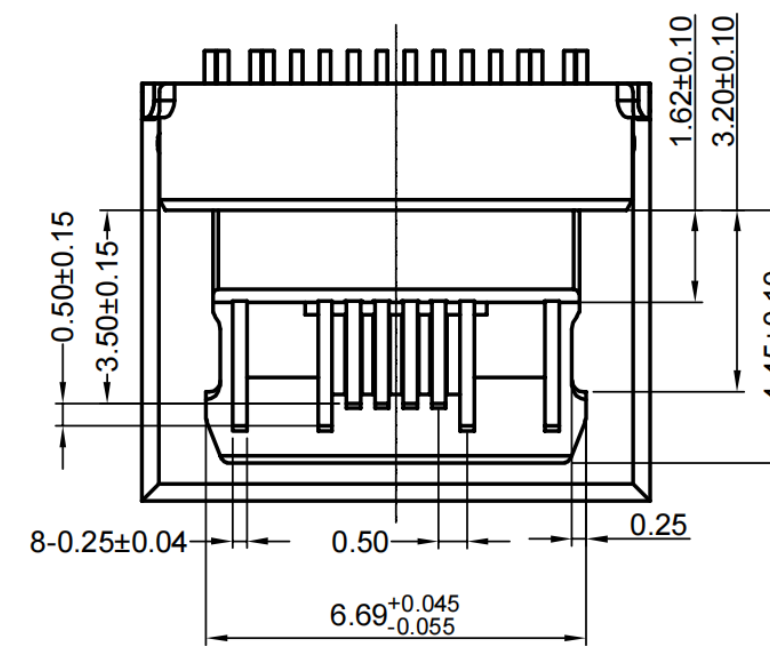


G-Switch USB-C Specification:

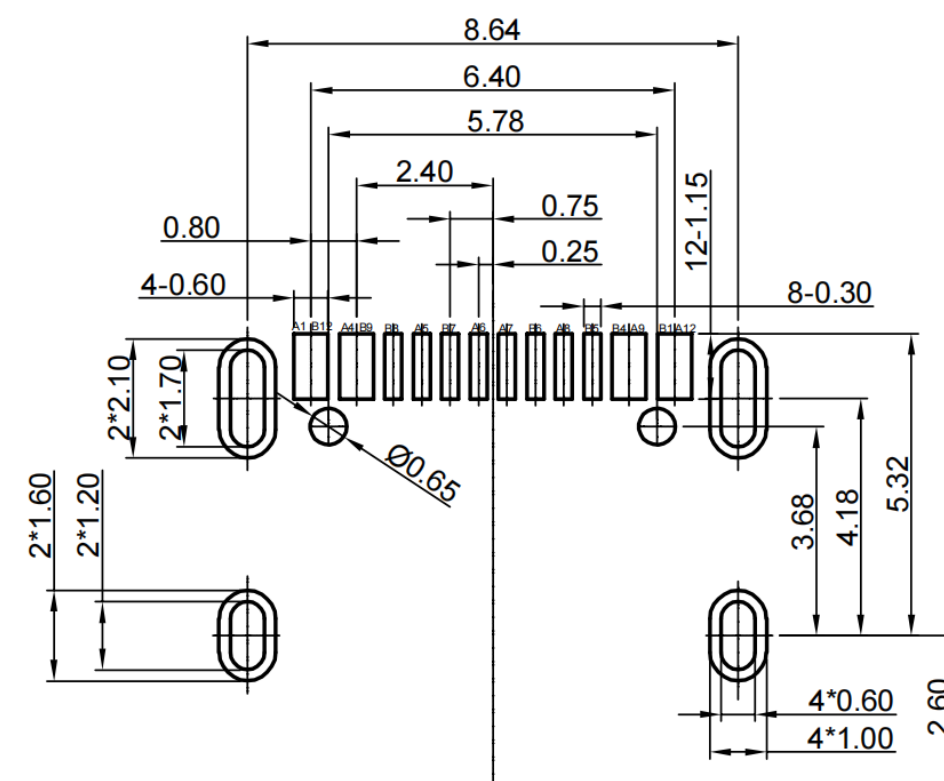
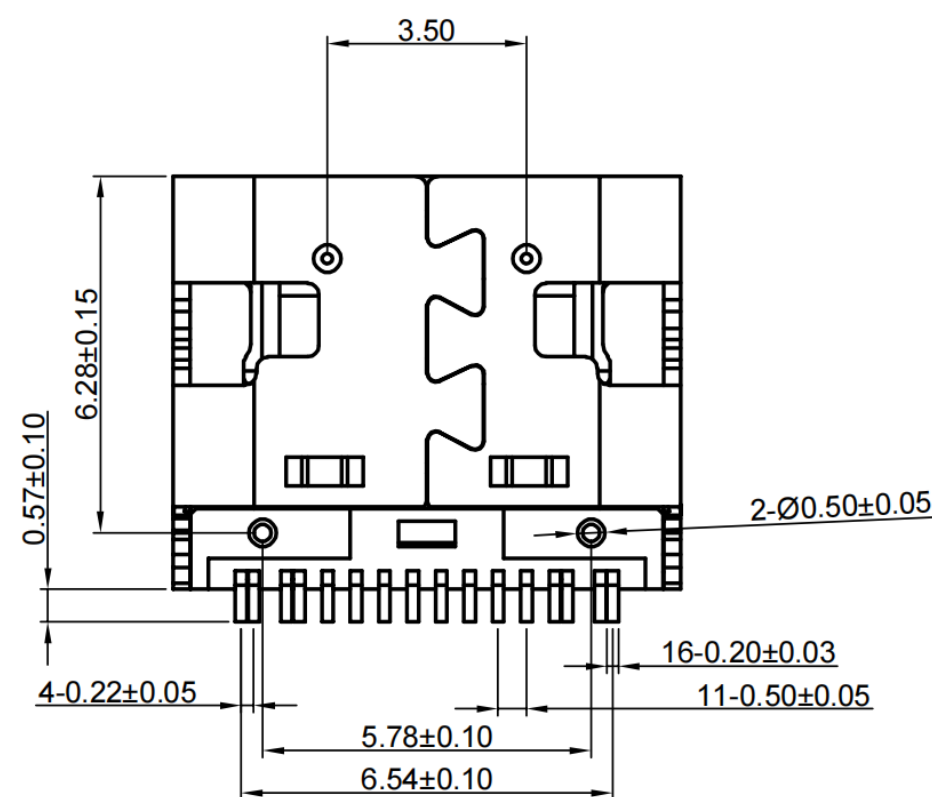
1. Current rating: 5A on Vbus/1.25A on Vconn/0.25A on other
2. Dielectric Voltage: 100V AC/minute
3. Contact resistance: 40mΩ Max
4. Insulation resistance: 100MΩ Min
5. Temperature range: -55 °C ~ 85 °C
6. Insertion force : 5N~20N
7. Unmating force: 8N~20N
8. Durability: 10,000 Cycles



SECTION A-A
SCALE 1:1

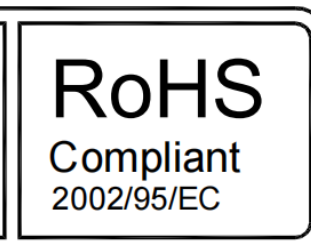
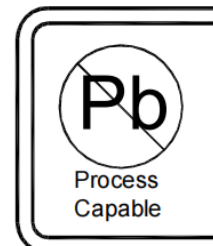


SECTION B-B
SCALE 1:1



RECOMMENDED P.C.B. LAYOUT
TOLERANCE UNSPECIFIED ±0.05mm

PIN	SIGNAL NAME	PIN	SIGNAL NAME	NO.	DESCRIPTION	MATERIAL	REMARKS	QTY
A1	GND	B12	GND	6	SHELL	STAINLESS STEEL SUS301	Au/SN Plated	1PCS
A4	VBUS	B9	VBUS	5	SHIELDING PLATE	STAINLESS STEEL SUS304	---	1PCS
A5	CC1	B8	SBU2	4	MD	HIGH TEMPERATURE PLASTIC	Back	1PCS
A7	DN1	B6	DP2	3	CONTACT	COPPER ALLOY C7025TM03	Au3U"/NI50U"/Sn100U" Plated	1SET
A8	SBU1	B5	CC2	2	CONTACT	COPPER ALLOY C7025TM03	Au3U"/NI50U"/Sn100U" Plated	1SET
A9	VBUS	B4	VBUS	1	HOUSING	HIGH TEMPERATURE PLASTIC	Back	1PCS
A12	GND	B1	GND					



Pinzan Electronics (Dongguan) Co., Ltd.

Unless otherwise specified, Tolerance:
 X. ±0.30
 X.x ±0.20
 X.xx ±0.15
 X.xxx ±0.10
 Angles ±3°

DESIGN Li Qingqi DATE 2022.11.30
 Specifications Type-C Receptacle 16pin onboarding
<http://www.dg-switch.com>
 TEL:0769-82388879

Molde code:
 GT-USB-9010ANS
 REV.: X1 SCALE: 4:1 UNIT: mm
 SIZE: A4 SHEET: 1/1

X-ON Electronics

Largest Supplier of Electrical and Electronic Components

Click to view similar products for [USB Connectors](#) category:

Click to view products by [G-Switch](#) manufacturer:

Other Similar products are found below :

[950](#) [A-USB A-LP-SMT-C](#) [A-USB B-TOP-C](#) [MUSBA511N5](#) [MUSBC111M5](#) [MUSBD11135](#) [17-200721](#) [217450-1](#) [KMBVX-TH-5S-B30](#)
[896-30-004-00-000000](#) [KUSBX-AS2N-W](#) [KUSBX-SMT2AP1S-W30](#) [935](#) [957](#) [30-498-6](#) [SK-60A-2](#) [1734082-1](#) [CIR08F-20](#) [30-1574](#) [30-470](#)
[30-489](#) [30-541](#) [MAB 5 S](#) [A-USB A-2P-C](#) [MIKROE-1451](#) [USBFTV2PEM2G](#) [USBFTVSCCG](#) [4689-1](#) [1-1734084-2](#) [MUSBC11135](#)
[CIR08F-20-27P-F80-VO](#) [USBF21ZNSCC](#) [USBBFTV6ZC](#) [MUSBB151341](#) [10135326-001LF](#) [M9177/3-1](#) [USB-A-S-F-B-VT](#) [4198](#) [690-024-](#)
[633-031](#) [UB-20PMFP-LC7001](#) [USBFTVC6MRG](#) [UA-20BMFA-SL8001](#) [17-200011](#) [USBFTVC7ZC](#) [UB-20AFMM-LL7A01](#)
[USBFTVC2MN](#) [CAP-WCCMLPB1](#) [CAP-WCCMLPC1](#) [1310-1031-01](#) [2041386-1](#)