

CONNECTOR FRONT EDGE

RECOMMENDED P.C.B. LAYOUT
TOLERANCE UNSPECIFIED ±0.05mm

NOTE:

1. MATERIAL:

- 1.1 INSULATOR: HIGH TEMPERATURE PLASTIC UL 94 V-0; Color:SEE TABLE
- 1.2 CONTACT: C7025(T=0.12mm)
- 1.3 SHELL:STAINLESS STEEL(T=0.30mm)
- 1.4 MID PLATE:STAINLESS STEEL(T=0.15mm)

2. ELECTRICAL CHARACTERISTICS:

- 2.1 CONTACT RESISTANCE: 40mΩ Max FOR INITIAL. 10mΩ CHANGE AFTER TEST. MEASURE AT 20mV, 100mA.
- 2.2 CONTACT CURRENT RATING: 5A FOR COLLECTIVELY POWER SUPPLY

- PIN(PINA1,A4,A9,A12,B1,B4,B9,B12); 1.25A FOR VCONN PIN; 0.25A FOR OTHER SIGNAL PIN.
- 2.3 DIELECTRIC WITHSTANDING VOLTAGE: 100V AC R.M.S.
- 2.4 INSULATION RESISTANCE 100MΩ Min
- 2.5 OPERATING TEMPERATURE: -40°C ~ 85°C

3. MECHANICAL CHARACTERISTICS:

- 3.1 MATING FORCE: 5-20 N.
- 3.2 UNMATED FORCE: 8-20N INITIAL TEST; 6-20N DURABILITY AFTER TEST
- 3.3 DURABILITY: 10,000 CYCLES

4. PLATING

- 4.1 TERMINAL CONTACT: 3u" GOLD PLATING ON CONTACT AREA, ALL OVER 50u" Min NICKEL AND 1u" Min Matte GOLD ALL OVER 50u" Min NICKEL ON SOLDER AREA
- 4.2 SHELL: 50u" Min. NICKEL ALL OVER,
- 4.3 INNER GROUND COVER SHELL: CLEAN
- 4.4 MID PLATE: CLEAN

6	SHELL	STAINLESS STEEL	NI/SN Plated	1PCS							
5	SHIELDING PLATE	STAINLESS STEEL	---	1PCS							
4	MD	HIGH TEMPERATURE PLASTIC	BLACK	1PCS							
3	CONTACT	COPPER ALLOY	Au/Ni Plated	1SET							
2	CONTACT	COPPER ALLOY	Au/Ni Plated	1SET							
1	HOUSING	HIGH TEMPERATURE PLASTIC	BLACK	1PCS							
NO.	DESCRIPTION	MATERIAL		REMARKS	QTY						
A1		A4	A5	A6	A7	A8	A9		A12		
GND	TX1+	TX1-	VBUS	CC1	D+	D-	SBU1	VBUS	RX2-	RX2+	GND
GND	RX1+	RX1-	VBUS	SBU2	D-	D+	CC2	VBUS	TX2-	TX2+	GND
B12		B9	B8	B7	B6	B5	B4			B1	



Unless otherwise specified, Tolerance:
 X. ±0.30
 X.x ±0.20
 X.xx ±0.15
 X.xxx ±0.10
 Angles ±3°

Pinzan Electronics (Dongguan) Co., Ltd.

DESIGN Li Qingqi DATE 2022.03.28

Specifications
Type-C Receptacle 16pin sinking plate 1.6 integrated 6.50

<http://www.dg-switch.com>

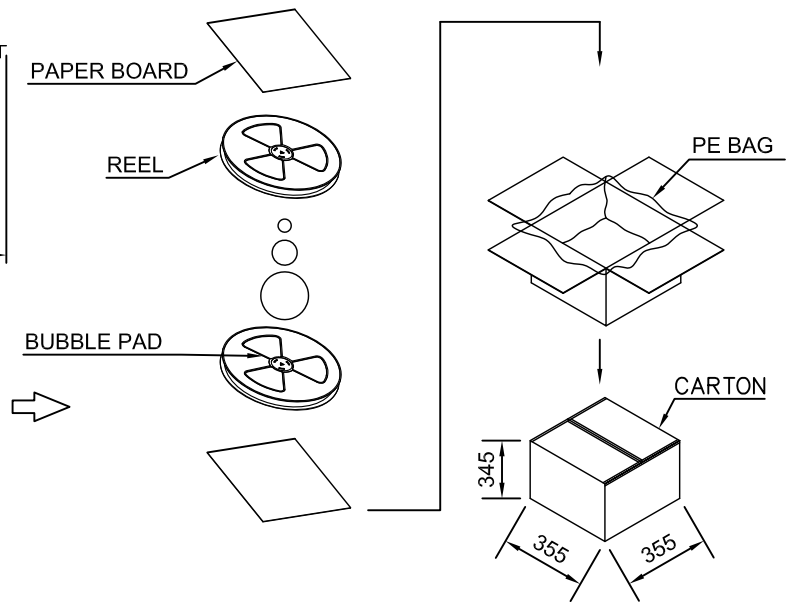
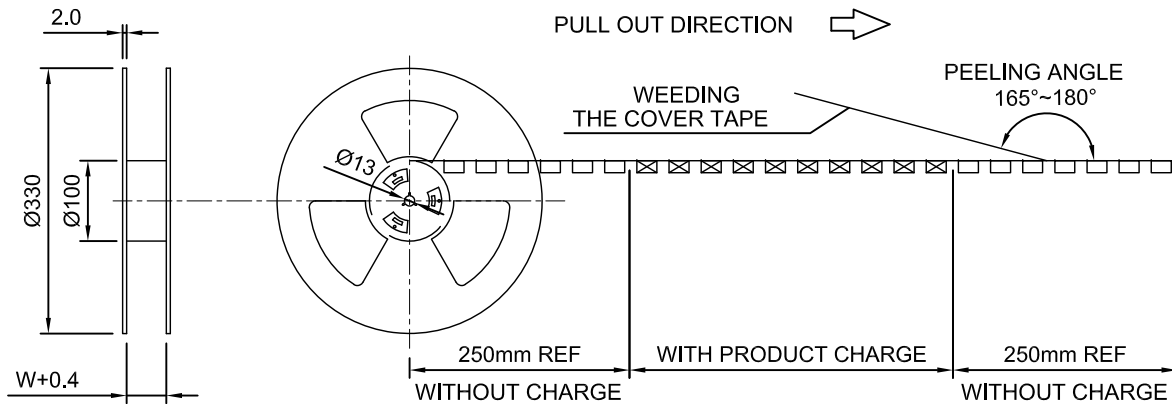
TEL:0769-82388879

Molde code:

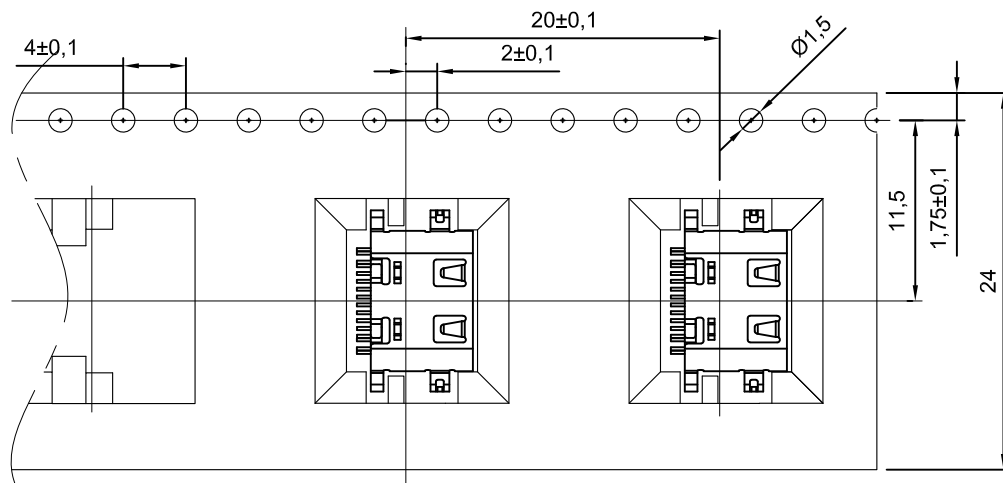
GT-USB-9014C


REV.: X1 SCALE: 4:1 UNIT: mm

SIZE: A4 SHEET: 1/1



NOTE:
1. QUANTITY: 1000 PCS/REEL, 10000PCS/CARTON.



 Pinzan Electronics (Dongguan) Co., Ltd.		DESIGN Li Qingqi		DATE 2022.03.28		Molde code:	
		Unless otherwise specified, Tolerance: X. ±0.30 X.x ±0.20 X.xx ±0.15 X.xxx ±0.10 Angles ±3°		Specifications Type-C Receptacle 16pin slinking plate 1.6 Integrated 6,50		GT-USB-9014C	
http://www.dg-switch.com				REV.: X1	SCALE: 4:1	UNIT: mm	
TEL: 0769-82388879				SIZE: A4	SHEET: 1/1		

X-ON Electronics

Largest Supplier of Electrical and Electronic Components

Click to view similar products for [USB Connectors](#) category:

Click to view products by [G-Switch](#) manufacturer:

Other Similar products are found below :

[950](#) [A-USB B-TOP-C](#) [MUSBA511N5](#) [MUSBC111M5](#) [MUSBD11135](#) [17-200721](#) [217450-1](#) [KMBVX-TH-5S-B30](#) [896-30-004-00-000000](#)
[KUSBX-AS2N-W](#) [KUSBX-SMT2AP1S-W30](#) [935](#) [957](#) [30-498-6](#) [SK-60A-2](#) [1734082-1](#) [30-1574](#) [30-470](#) [30-489](#) [30-541](#) [A-USB A-2P-C](#)
[MIKROE-1451](#) [USBFTV2PEM2G](#) [USBFTVSCCG](#) [4689-1](#) [1-1734084-2](#) [MUSBC11135](#) [USBF21ZNSCC](#) [USBBFTV6ZC](#) [MUSBB151341](#)
[10135326-001LF](#) [M9177/3-1](#) [TJ-105](#) [USB-A-S-F-B-VT](#) [4198](#) [690-024-633-031](#) [UB-20PMFP-LC7001](#) [USBFTVC6MRG](#) [UA-20BMFA-](#)
[SL8001](#) [17-200011](#) [USBFTVC7ZC](#) [UB-20AFMM-LL7A01](#) [USBFTVC2MN](#) [CAP-WCCMLPB1](#) [1310-1031-01](#) [2041386-1](#) [2274475-3](#) [UB-](#)
[20BMFA-SL8001](#) [UB-20PMFP-SC8003](#) [914-614A2025S10200](#)