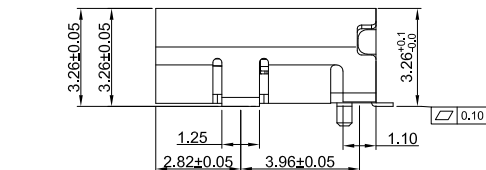
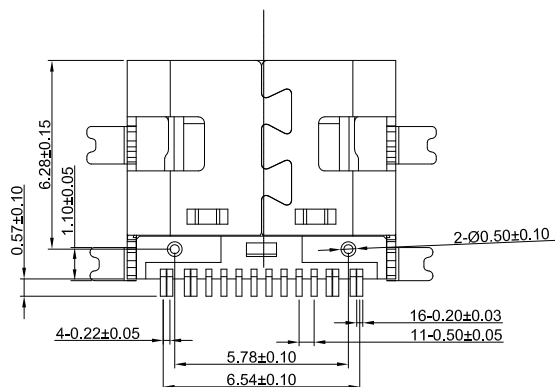
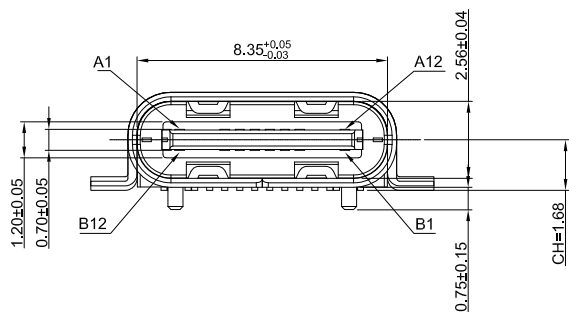
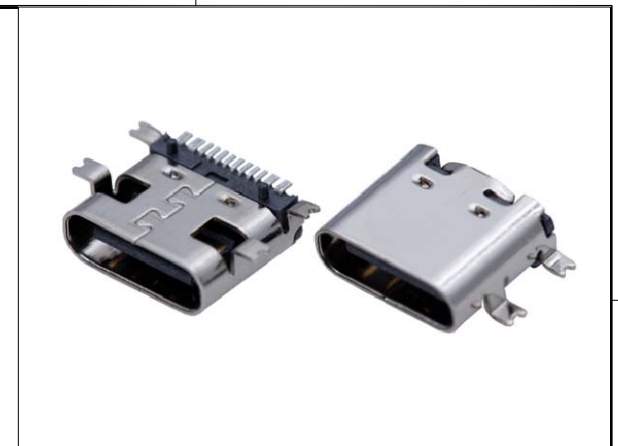


CONNECTOR FRONT EDGE
RECOMMENDED P.C.B. LAYOUT
 TOLERANCE UNSPECIFIED ±0.05mm



NOTE:

1. MATERIAL:
 - 1.1 INSULATOR: HIGH TEMPERATURE PLASTIC UL 94 V-0; Color SEE TABLE
 - 1.2 CONTACT: SEE TABLE (T=0.12mm)
 - 1.3 SHELL: STAINLESS STEEL (T=0.30mm)
 - 1.4 INNER GROUND COVER SHELL: STAINLESS STEEL (T=0.10mm)
 - 1.5 MID PLATE: STAINLESS STEEL (T=0.15mm)
2. ELECTRICAL CHARACTERISTICS:
 - 2.1 CONTACT RESISTANCE: 40mΩ Max FOR INITIAL, 10mΩ CHANGE AFTER TEST. MEASURE AT 20mV, 100mA.
 - 2.2 CONTACT CURRENT RATING: SEE TABLE FOR COLLECTIVELY POWER SUPPLY PIN (PINA1,A4,A9,A12,B1,B4,B9,B12); 1.25A FOR VCONN PIN; 0.25A FOR OTHER SIGNAL PIN.
 - 2.3 DIELECTRIC WITHSTANDING VOLTAGE: 100V AC R.M.S.
 - 2.4 INSULATION RESISTANCE 100MΩ Min
 - 2.5 OPERATING TEMPERATURE: -55°C ~ 85°C
3. MECHANICAL CHARACTERISTICS:
 - 3.1 MATING FORCE: 5-20 N.
 - 3.2 UNMATED FORCE: 8-20N INITIAL TEST; 6-20N DURABILITY AFTER TEST
 - 3.3 DURABILITY: 10,000 CYCLES
4. PLATING
 - 4.1 TERMINAL CONTACT: 3u" GOLD PLATING ON CONTACT AREA, ALL OVER 50u" Min NICKEL AND 1u" Min Matte GOLD ALL OVER 50u" Min NICKEL ON SOLDER AREA
 - 4.2 SHELL: 50u" Min. NICKEL ALL OVER.
 - 4.3 INNER GROUND COVER SHELL: CLEAN
 - 4.4 MID PLATE: CLEAN

PIN	SIGNAL NAME	PIN	SIGNAL NAME	NO.	DESCRIPTION	MATERIAL	REMARKS	QTY
A1	GND	B12	GND	6	SHELL	STAINLESS STEEL SUS304	NI/SN PLATED	1PCS
A4	VBUS	B9	VBUS	5	SHIELDING PLATE	STAINLESS STEEL SUS304	-----	1PCS
A5	CC1	B8	SBU2	4	MD	HIGH TEMPERATURE PLASTIC	BLUE	1PCS
A6	DP1	B7	DN2	3	CONTACT	COPPER ALLOY C7025TM03	Au3U"/Ni50U"/AU1U" PLATED	1SET
A7	DN1	B6	DP2	4	CONTACT	COPPER ALLOY C7025TM03	Au3U"/Ni50U"/AU1U" PLATED	1SET
A8	SBU1	B5	CC2	2	CONTACT	COPPER ALLOY C7025TM03	Au3U"/Ni50U"/AU1U" PLATED	1SET
A9	VBUS	B4	VBUS	1	HOUSING	HIGH TEMPERATURE PLASTIC	SEE TABLE	1PCS
A12	GND	B1	GND					

此产品符合
USB协会认证
规范TID:7342



Pinzan Electronics (Dongguan) Co., Ltd.

Unless otherwise specified, Tolerance: X. ±0.30 X.x ±0.20 X.xx ±0.15 X.xxx ±0.10 Angles ±3°	DESIGN Li Qingqi	DATE 2021.12.30	Molde code:	
	Specifications Type-C Receptacle 16pin onboarding SMT Type		GT-USB-9047A	
http://www.dg-switch.com		REV.: X1	SCALE: 4:1	UNIT: mm
TEL:0769-82388879		SIZE: A4	SHEET: 1/1	

X-ON Electronics

Largest Supplier of Electrical and Electronic Components

Click to view similar products for [USB Connectors](#) category:

Click to view products by [G-Switch](#) manufacturer:

Other Similar products are found below :

[950](#) [A-USB B-TOP-C](#) [MUSBA511N5](#) [MUSBC111M5](#) [MUSBD11135](#) [17-200721](#) [217450-1](#) [KMBVX-TH-5S-B30](#) [896-30-004-00-000000](#)
[KUSBX-AS2N-W](#) [KUSBX-SMT2AP1S-W30](#) [935](#) [957](#) [30-498-6](#) [SK-60A-2](#) [1734082-1](#) [30-1574](#) [30-470](#) [30-489](#) [30-541](#) [A-USB A-2P-C](#)
[MIKROE-1451](#) [USBFTV2PEM2G](#) [USBFTVSCCG](#) [4689-1](#) [1-1734084-2](#) [MUSBC11135](#) [USBF21ZNSCC](#) [USBBFTV6ZC](#) [MUSBB151341](#)
[10135326-001LF](#) [M9177/3-1](#) [TJ-105](#) [USB-A-S-F-B-VT](#) [4198](#) [690-024-633-031](#) [UB-20PMFP-LC7001](#) [USBFTVC6MRG](#) [UA-20BMFA-](#)
[SL8001](#) [17-200011](#) [USBFTVC7ZC](#) [UB-20AFMM-LL7A01](#) [USBFTVC2MN](#) [CAP-WCCMLPB1](#) [1310-1031-01](#) [2041386-1](#) [2274475-3](#) [UB-](#)
[20BMFA-SL8001](#) [UB-20PMFP-SC8003](#) [914-614A2025S10200](#)