



GTT-EUROPE Ltd.

The King Centre Barleythorpe, Oakham, Rutland, LE15 7WD  
TEL : +44 (0)1572 338011

**SPECIFICATION FOR APPROVAL**

**CUSTOMER :** Farnell

**PRODUCT :** Antenna,GPS,1575~1602MHz,N,PLUG,IP67 & IK09

**PART NO. :** NA

**PART NO. :** OE-GPSGLO-016-CN

**SHEET NO. :** RC170703001

**DATE :** 2017/11/03

CUSTOMER CONCLUSION :

- APPROVED
- REJECTED
- LIMITED
- CONDITIONAL APPROVAL

\_\_\_\_\_  
\_\_\_\_\_

**INCLUDING THIS COVER TOTAL 183 PAGES**

\* PLEASE SIGN AND FAX THE RESULT TO US

\_\_\_\_\_  
AUTHORIZED SIGNATURES



GTT Europe Ltd.

The King Centre, Barleythorpe, Oakham, Rutland, LE15 7WD, UK

TEL : +44 (0)1572 338011

Part Number : OE-GPSGLO-016-CN

Description: Antenna,GPS,1575~1602MHz,N,PLUG,IP67 & IK09

Table Of Contents

<b>1.0</b>	The drawing spec	
1.1	Antenna Assembly & packing.....	3
<b>2.0</b>	Assembly RoHS	
	* Other Documents	
2.1	Antenna RoHS Reportg.....	6

183 Pages

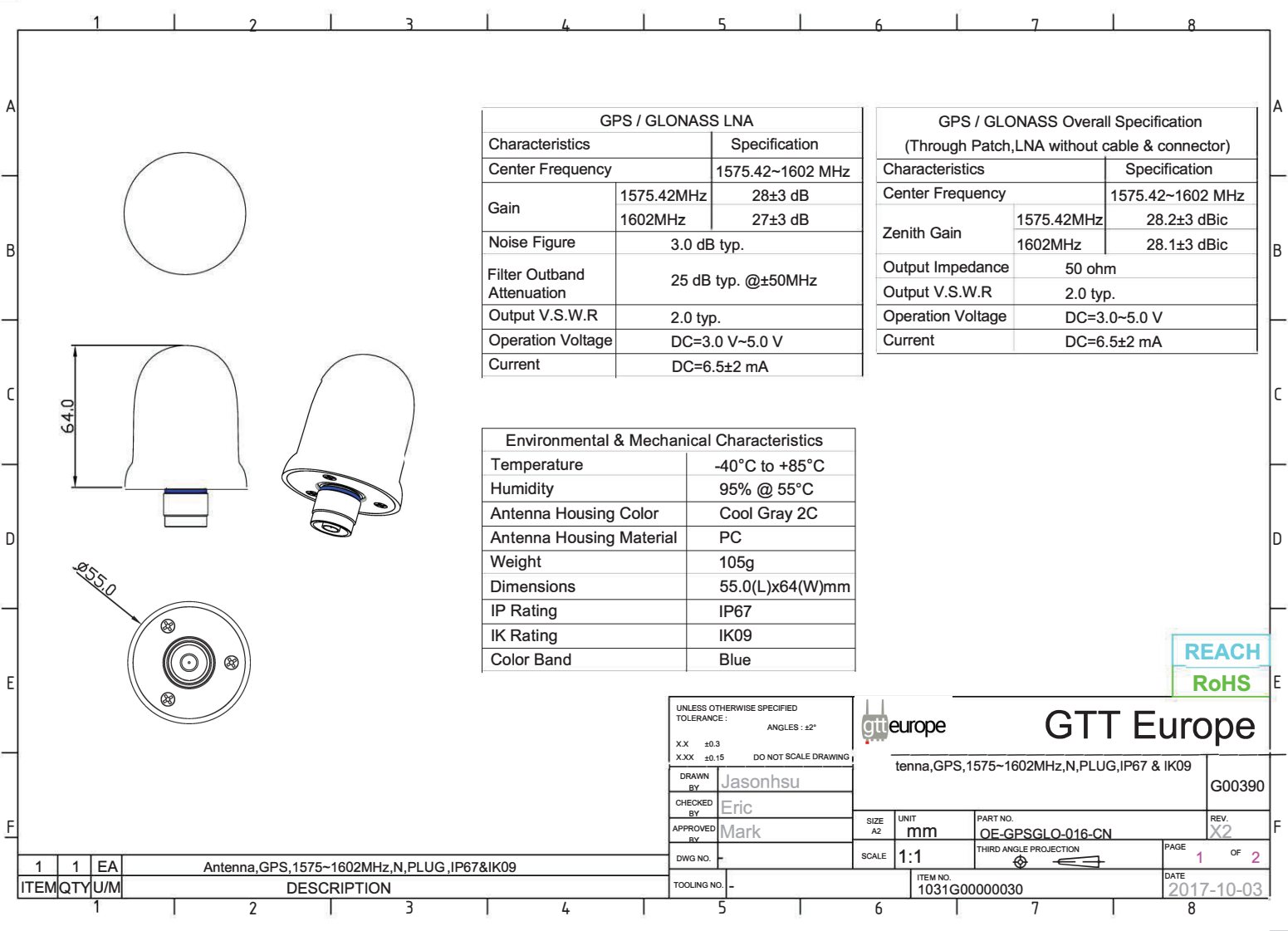


# GTT Europe

Part No.	OE-GPSGLO-016-CN	Item No.	1031G00000030	Customer Code:	G00390
Edited By:	Jasonhsu	Check By:	Eric	Approved By:	Mark

## Standard Specification

REVISIONS				
DATE	REV.	ZONE	DESCRIPTION	ECN NO.
2017-09-19	X1	XX	NEW RELEASE	
2017-10-03	X2	XX	Modify Spec	



GPS / GLONASS LNA		
Characteristics		Specification
Center Frequency		1575.42~1602 MHz
Gain	1575.42MHz	28±3 dB
	1602MHz	27±3 dB
Noise Figure	3.0 dB typ.	
Filter Outband Attenuation	25 dB typ. @±50MHz	
Output V.S.W.R	2.0 typ.	
Operation Voltage	DC=3.0 V~5.0 V	
Current	DC=6.5±2 mA	

GPS / GLONASS Overall Specification (Through Patch,LNA without cable & connector)		
Characteristics		Specification
Center Frequency		1575.42~1602 MHz
Zenith Gain	1575.42MHz	28.2±3 dBic
	1602MHz	28.1±3 dBic
Output Impedance	50 ohm	
Output V.S.W.R	2.0 typ.	
Operation Voltage	DC=3.0~5.0 V	
Current	DC=6.5±2 mA	

Environmental & Mechanical Characteristics	
Temperature	-40°C to +85°C
Humidity	95% @ 55°C
Antenna Housing Color	Cool Gray 2C
Antenna Housing Material	PC
Weight	105g
Dimensions	55.0(L)x64(W)mm
IP Rating	IP67
IK Rating	IK09
Color Band	Blue

REACH  
RoHS

UNLESS OTHERWISE SPECIFIED  
TOLERANCE: ANGLES : ±2°  
X.X ±0.3  
X.XX ±0.15 DO NOT SCALE DRAWING

**gtt** europe **GTT Europe**  
Antenna, GPS, 1575~1602MHz, N, PLUG, IP67 & IK09

DRAWN BY Jasonhsu  
CHECKED BY Eric  
APPROVED BY Mark  
DWG NO. -  
TOOLING NO. -

G00390  
PART NO. OE-GPSGLO-016-CN  
SCALE 1:1  
THIRD ANGLE PROJECTION  
PAGE 1 OF 2  
REV. X2  
DATE 2017-10-03  
ITEM NO. 1031G00000030

ITEM	QTY	U/M	DESCRIPTION
1	1	EA	Antenna, GPS, 1575~1602MHz, N, PLUG, IP67 & IK09

## **X-ON Electronics**

Largest Supplier of Electrical and Electronic Components

*Click to view similar products for [gtt wireless manufacturer](#):*

Other Similar products are found below :

[IR-GSMPB-02-C5](#) [OE-CMB-RD-C5C6](#) [IR-GSMQB-00-C5](#) [R-14-0075-F](#)