



**GTT-EUROPE Ltd.**  
The King Centre, Barleythorpe,  
Oakham, Rutland, LE15 7WD United Kingdom  
TEL : +44 (0)1572 338011

**SPECIFICATION FOR APPROVAL**

**CUSTOMER :** Farnell

**PRODUCT :** Antenna,LTE,698~960MHz,1710~2170MHz,  
2300~2690MHz,N-PLUG,IP67 & IK09

**PART NO. :** NA

**PART NO. :** OE-LTE-04-016-CN

**SHEET NO. :** RC170703002

**DATE :** 2017/11/03

**CUSTOMER CONCLUSION :**  **APPROVED**

**REJECTED**

**LIMITED**

**CONDITIONAL APPROVAL**

\_\_\_\_\_  
\_\_\_\_\_

**INCLUDING THIS COVER TOTAL 143 PAGES**

**\* PLEASE SIGN AND FAX THE RESULT TO US .**

**AUTHORIZED SIGNATURES**



GTT Europe Ltd.  
The King Centre, Barleythorpe, Oakham, Rutland, LE15 7WD United Kingdom

TEL : +44 (0)1572 338011

Part Number : OE-LTE-04-016-CN

Description: Antenna,LTE,698~960MHz,1710~2170MHz,2300~2690MHz,N-PLUG,IP67 & IK09

#### Table Of Contents

<b>1.0</b>	The drawing spec	
1.1	Antenna Assembly & packing.....	3
<b>2.0</b>	Assembly RoHS	
	* Other Documents	
2.1	Antenna RoHS Reportg.....	6

143 Pages

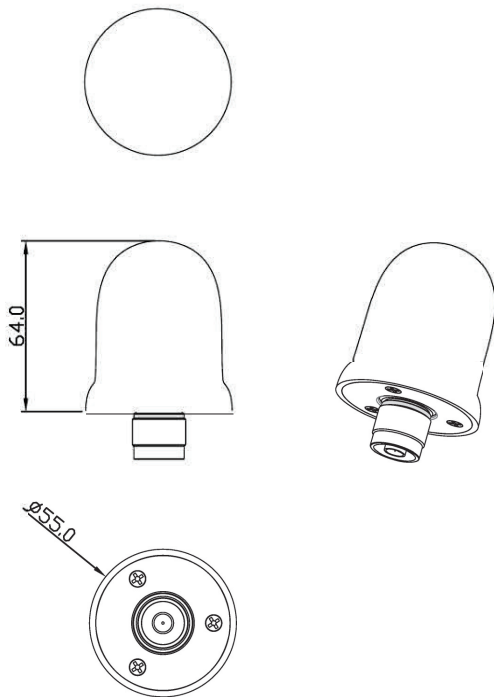


# GTT Europe

Part No.	OE-LTE-04-016-CN	Item No.	1036G00000140	Customer Code:	G00390
Edited By:	Jasonhsu	Check By:	Eric	Approved By:	Mark

## Standard Specification

REVISIONS				
DATE	REV.	ZONE	DESCRIPTION	ECN NO.
2017-09-19	X1	XX	NEW RELEASE	
2017-10-03	X2	XX	Modify Spec	



Electrical Specification			
Frequency range	698~960 MHz	1710~2170 MHz	2300~2690 MHz
Polarization	Linear, Vertical		
HPBW / Horizontal	360°		
HPBW / Vertical	90°		
Peak Gain	0.2 dBi Max.	2.2 dBi Max.	2.0 dBi Max.
Efficiency	15% Min.	62% Min.	80% Min.
VSWR	4.0 Max.:1	2.0 Max.:1	2.0 Max.:1
Power Handling	2W(cw)		
Impedance	50 Ohm		
Connector	N-Plug		

Environmental & Mechanical Characteristics	
Temperature	-40°C to +85°C
Humidity	95% @ 55°C
Antenna Housing Color	Cool Gray 2C
Antenna Housing Material	PC
Weight	90g
Dimensions	55.0(L)x64(W)mm
IP Rating	IP67
IK Rating	IK09
Color Band	Gray

REACH  
RoHS

UNLESS OTHERWISE SPECIFIED TOLERANCE: X.X ±0.3 X.XX ±0.15 DO NOT SCALE DRAWING		ANGLES: ±2°		GTT Europe		GTT Europe	
DRAWN BY	Jasonhsu	TITLE Antenna,LTE,698~960MHz,1710~2170MHz, 2300~2690MHz,N-PLUG,IP67 & IK09				G00390	
CHECKED BY	Eric	SIZE A2	UNIT mm	PART NO.	OE-LTE-04-016-CN	REV.	X2
APPROVED BY	Mark	SCALE	1:1	THIRD ANGLE PROJECTION	PAGE 1 OF 2		
DWG NO.	-	ITEM NO.	1036G00000140		DATE		2017-10-03

ITEM	QTY	U/M	DESCRIPTION
1	1	EA	Antenna,LTE,698~960MHz,1710~2170MHz,2300~2690MHz,N-PLUG,IP67 & IK09

## **X-ON Electronics**

Largest Supplier of Electrical and Electronic Components

*Click to view similar products for [gtt wireless manufacturer](#):*

Other Similar products are found below :

[IR-GSMPB-02-C5](#) [OE-CMB-RD-C5C6](#) [IR-GSMQB-00-C5](#) [R-14-0075-F](#)