



防静电电焊台系列

Anti-Static Soldering Station Series

使用说明书 INSTRUCTION MANUAL

936/937/939系列 (Series)

中文/English

声明: 本公司保留改进升级产品的权利, 产品规格及设计如有变更, 恕不另行告知。
Statement: The company reserves the right to improve and upgrade products, product specifications and design are subject to change without notice.



广州市谊华电子设备有限公司

GuangZhou YIHUA Electronic Equipment Co., Ltd.

地址: 广东省广州市广从一路龙归永兴工业区

ADD: YongXing industrial district, LongGui, Guang Cong road, GuangZhou, GuangDong, China

电话(TEL):+86-20-87470526 传真(FAX):+86-20-87470261



感谢您购买此款电焊台, 本产品是专门为无铅拆焊而设计的, 使用前请仔细阅读本说明书, 阅读后请妥善保管, 以供日后参考。

Thank you for purchasing this soldering station, this product is specially designed for lead-free soldering, please read the instructions carefully before use. After read, please keep it for future reference.

安全守则

使用本机器，下列基本措施要遵守，以免触电或对人体造成伤害，避免火灾等现象的危害。

- 1、为了确保人身安全，该机器工作完毕后请关闭机器右侧的总开关，如长期不使用，请拔掉电源线!!!
- 2、必须使用原厂认可或推荐的零件，否则将导致严重后果。
- 3、机器故障必须由专业人士或本公司指定人员进行维修。
- 4、本产品使用三线接地插头，必须插入三孔接地插座内，不要更改插头或使用未接地三头适配器而使接地不良。
- 5、电焊台开启后，其温度都有可能达到400度以上。切勿在易燃、易爆气体、物体附近使用。切勿触摸烙铁金属部分，谨防烫伤。
- 6、电焊台开启后切勿离开工作岗位。
- 7、安装或更换烙铁部件时，必须在关闭电焊台后进行，必须在烙铁冷却后方可进行安装或更换。
- 8、使用后，切记要冷却机身，方可进行包装。
- 9、切勿使用烙铁进行焊接以外的工作；切勿用烙铁敲击工作台面以清除焊剂残余，此举可能严重损坏烙铁。
- 10、焊接时会冒烟雾，请做好应有的通风设施。

警告

- 1、如果电源线损坏，为了避免危险，必须有制造商或维修部分的专业人员进行更换。
- 2、本工具不使用时必须放置在它的支架上。
- 3、在有易燃材料的地方使用本器具时要小心；不要长时间在同一地方使用本器具。
- 4、要意识到热可能传递到远处的易燃材料；器具接通时需有人照看。
- 5、器具不打算由存在肢体、感官或精神能力缺陷或缺少使用经验和知识的人（包括儿童）使用，除非有负责他们安全的人对他们进行与器具使用有关的监督或指导；应照看好儿童，确保他们不玩耍本器具。

一、焊铁头的维护和使用

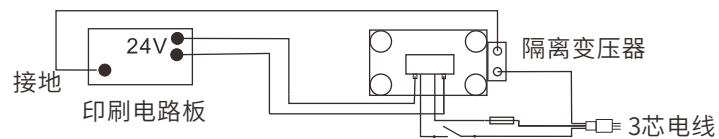
烙铁头温度	温度过高会减弱烙铁头功能，因此应选择尽可能低的使用温度。此烙铁头的温度恢复力优良，较低温度也可充电焊接，可保护对温度敏感的元件。
清理	应定期使用清洁海绵清理烙铁头，焊接后，烙铁头的残余焊剂所衍生的碳合物和氧化物会损害烙铁头，造成焊接误差，或使烙铁头导热功能减退。长时间连续使用烙铁时，应每周一次拆开烙铁头清除氧化物，防止烙铁头受损而减低温度。
当不使用时	不使用烙铁时，不可让烙铁长时间处于高温状态，会使烙铁头上的焊剂转化为氧化物，致使烙铁头导热功能大为减退。
使用后	使用后，应抹净烙铁头，镀上新锡层，以防止烙铁头氧化。

- 1、当烙铁初次使用时，要注意检查烙铁咀的升温情况，待其温度刚刚能融化锡丝时，在烙铁咀部分镀上一层锡，然后再将温度升至所需的温度。切记工作时烙铁咀应长期附有一层锡保护烙铁咀，才能达到最佳的焊接功能。
- 2、如烙铁表面出现一层氧化物，造成烙铁头低温的假象，无法熔锡和上锡，此时发热芯与烙铁都处于高温状态。出现这种情况时，不要盲目把温度再调高。应用清洁海绵清除氧化物，如不能清除，请将电源关闭，待烙铁温度降低至室温后，用砂纸小心把氧化物清除，然后重复第一点烙铁初次使用的操作。
- 3、注意烙铁处于高温工作后，放回焊铁架待用时，应把温度旋钮调至250°C以下待用。待用时间超过20分钟请关闭电源。否则烙铁长期处于高温备用状态下，由于烙铁架与烙铁之间产生积温，使发热芯加速老化，焊铁咀衍生氧化物，直接减弱焊接功能，严重则导致连接螺母塑胶融化或发热芯断路。
- 4、切勿用锉刀剔除烙铁头的氧化物，如果烙铁头变形或衍生铁锈，必须更换新的烙铁头。
- 5、焊接时不要给烙铁头太大的压力，这样不会改变导热性能，反而会使烙铁头受损。

二、规格参数

产品型号	936/936B/937D	936A/937D+/939/939D
功率	45W	75W
电源电压	AC 220V~240V,50Hz / AC 100V~125V,60Hz	
输出电压	交流电24伏特	
温度范围	200°C~480°C	200°C~480°C
	392°F~896°F	392°F~896°F
显示形式	LED	
温度稳定度	±2°C(静态)	
发热丝电压	AC 24V ±10% 50Hz	
焊咀对地阻抗	<2欧	
焊咀对地电压	<2mV	
重量	1.58kg(普通芯)	2.08kg(进口芯)
工作温度	0~40°C/32°F~104°F	
储存温度	-20°C~80°C/-4°F~176°F	
储存湿度	35%~45%	

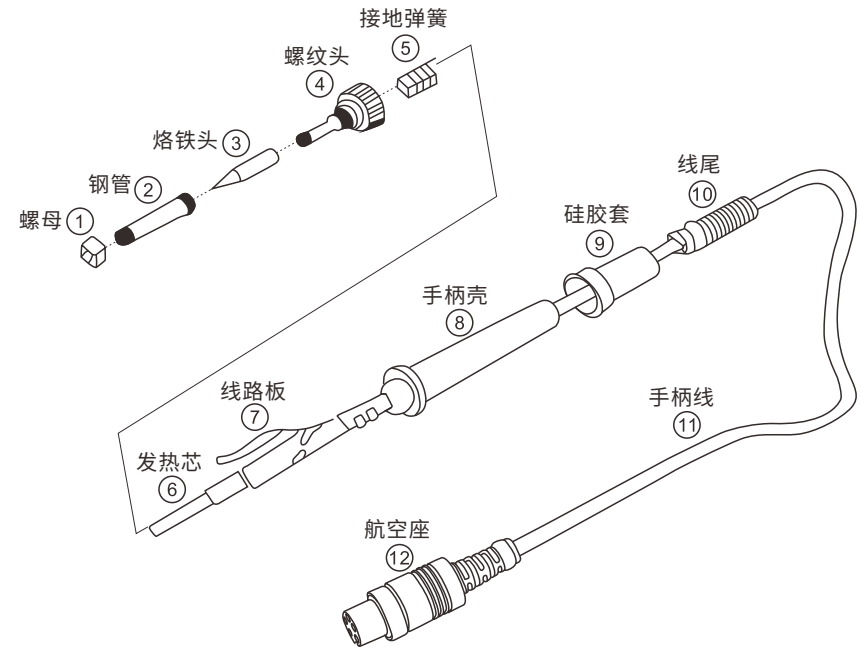
三、电路图



四、烙铁发热芯和烙铁头的更换

烙铁部件更换

- 1、旋出螺母1,再将钢管2取出,这时就可以取下烙铁头进行更换。
- 2、如需更换烙铁发热芯可继续旋出螺纹头4,拔出烙铁发热芯6和线路板7,要注意弹簧5的连接线。
- 3、将烙铁发热芯从线路板上焊下,更换新的发热芯,装好即可。注意烙铁发热芯引线的连接顺序。



Safety Rules

Use the machine, the following basic measures should abide, avoid electric shock or cause injury or damage caused by fires.

1. To ensure personal safety, after the machine completed work, please turn off the main power switch, and unplug the power cord if long time no use.
2. You must use the original approval or recommendation of the parts, otherwise it will lead to serious consequences.
3. Machine failure must be by professionals or the company designated personnel for repair.
4. This product is grounded three-wire plug, must be inserted within the three-hole grounded outlet, do not change the plugs or use ungrounded three adapter made it bad grounded.
5. Hot air gun or soldering station is open, its temperature are likely to reach 400°C. Do not use it near flammable gas, objects. Tube and the heat emitted very hot, can burn the body, do not touch the hot pipe and direct injection to heat the human body.
6. Before hot air gun turned on, please ensure it is in safety environment, do not leave the jobs site.
7. When the hot air gun opening do not install nozzle, the heat pipe and the nozzle must be cooling. Then installed the other nozzle.
8. After use, the machine need to cool down when packing.
9. Do not use a soldering iron to weld outside the work; Do not iron percussion table to clear the residual flux, this could seriously damage the iron.
10. The machine welding will take smoke, please do proper ventilation.

Warning!!!

1. If the supply cord is damaged, it must be replaced by a special cord or assemble available from the manufacturer or its service agent.
2. **WARNING:** This tool must be placed on its stand when not in use.
3. Be careful when using the appliance in places where there are combustible materials; Do not apply to the same place for a long time.
4. Be aware that heat may be conducted to combustible materials that are out of sight; Do not leave the appliance unattended when it is switched on.
5. This appliance is not intended for use by persons (including children) with reduced physical, sensory or mental capabilities, or lack of experience and knowledge. Unless they have been given supervision or instruction concerning use of the appliance by a person responsible for their safety. Children should be supervised to ensure that they do not play with the appliance.

I. Tip Maintenance And Use

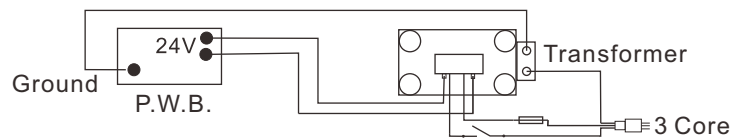
Tip temperature	High soldering temperature can degrade the tip. Use the lowest possible soldering temperature. The excellent thermal recovery characteristics ensure efficient and effective soldering even at low temperatures. This also protects the solder de items from thermal damage.
Cleaning	Clean the tip regularly with a cleaning sponge. As oxides and carbides from the solder and flux can form impurities on the tip. These impurities can result in defective joints or reduce the tips heat conductivity. When using the soldering iron continuously, be sure to loosen the tip and remove all oxides at least once a week. This helps prevent seizure and reduction of the tip temperature.
When not in use	Never leave the soldering iron sitting at high temperature foe long periods of time, as the tip's solder plating will become covered with oxide, which can greatly reduce the tip's heat conductivity.
After use	Wipe the tip clean and coat the tip with fresh solder.

1. When soldering iron is used for the first time, you should pay attention to monitor iron tip warming situation, wait until the temperature just melted tin wire, a layer of tin on the part of the gold-plated iron tip, and then the temperature was raised to the required temperature. Keep in mind when working iron tip should be long-term with a layer of tin to protection iron tip, in order to achieve optimal soldering function.
2. As an oxide layer on the surface of iron tip, resulting in false low temperature soldering iron tip, unable to melt tin and the tin, in fact, at this time the heating elements with the soldering iron is high temperature state. This happens situation not to blind the temperature rises again, the application of clean sponge clear oxides, such as not clear, please turn off the power, soldering iron be dropped to room temperature, with No.0 sandpaper accidentally cleared the oxide, then repeat the operation of the first point iron initial use.
3. Please pay more attention soldering iron in high temperature work back into iron holder, should be adjust temperature button below 250°C stand - by use, stand-by time over 20 minutes, please turn off power. Otherwise the soldering iron in a high temperature for long time. Because between iron holder and soldering iron generate accumulated temperature, lead to heating elements accelerated aging, soldering iron tip derivative oxide, directly weakened soldering, severe will result in the connecting screw nut plastic melt of the handle or heating elements short circuit.
4. If the tip deformation or the occurrence of heavy erosion, to replace the new one. (Note: Do not use knife file remove oxides of soldering iron tip.)
5. Soldering, do not give iron tips too much pressure, this will not change the thermal conductivity, otherwise will lead to iron tip damage.

II. Specification

Product model	936/937D/936B	936A/937D+/939/939D
Power	45W	75W
Power supply voltage	AC 110V \pm 10% 60Hz/AC 220V~240V 50Hz	
Output voltage	24V AC	
Temperature range	200°C~480°C	200°C~480°C
	392°F~896°F	392°F~896°F
Display type	LED	
Temperature stability	\pm 2°C (Static)	
Heating element voltage	AC 24V \pm 10% 50Hz	
Tip of ground resistance	< 2ohm	
Tip of ground voltage	< 2mV	
Weight	1.58kg (Common heater)	2.08kg (Imported heater)
Working temperature	0~40°C/32°F~104°F	
Storage temperature	-20°C~80°C/-4°F~176°F	
Storage humidity	35%~45%	

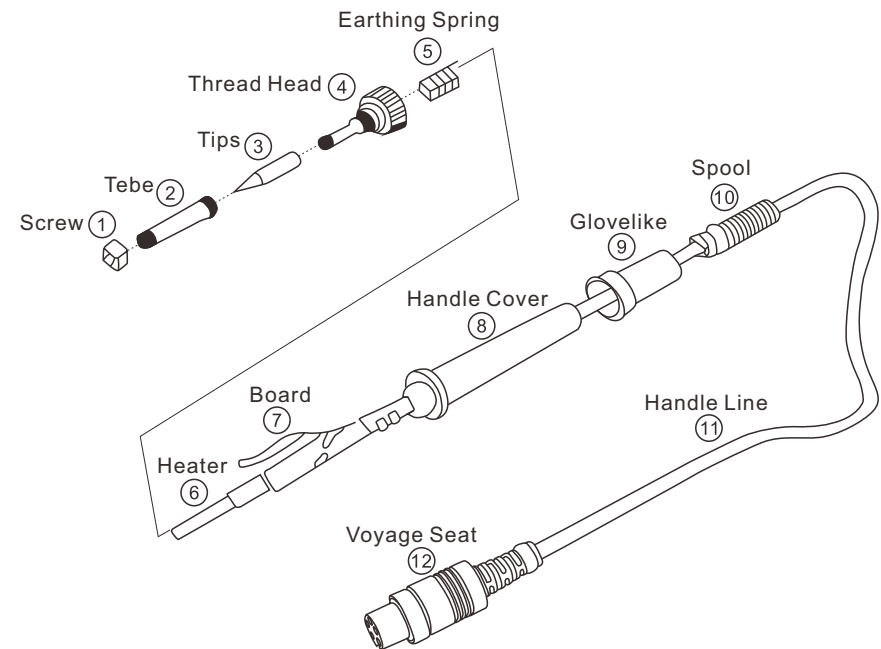
III. Wiring Diagram



IV. Replacement of the Soldering Iron's Tip and Soldering Iron Heating Core's Element

Soldering iron parts replacement

1. Unscrews the nut No.1, and then removes the steel tube No.2, followed by removing the tip which is going to be replaced.
2. For the replacement of heating core's element can be performed by unscrewing the plastic cap No.4, pulls out gently the heating core, element No.6 along with the circuit board No.7, please carefully remember the connection of spring No.5.
3. The iron core from the circuit board welding, the replacement of the heating core, can be fitted well. Note that the order of the iron core wire connection.



附：电焊台使用烙铁头型号图

Attachment: Electric welding machine using welding head model figure

900M-T-0.8D 0°C		900M-T-LB -10°C/-18°F		900M-T-K 30°C/54°F	
900M-T-1.2D 0°C		900M-T-0.5C 0°C		900M-T-R 0°C	
900M-T-1.6D 0°C		900M-T-0.8C 0°C		900M-T-RT 0°C	
900M-T-2.4D 0°C		900M-T-1C 0°C		900M-T-SI 0°C	
900M-T-3.2D 0°C		900M-T-1.5CF 0°C		900M-T-I -10°C/-18°F	
900M-T-1.2LD -10°C/-18°F		900M-T-2C 0°C		900M-T-H -20°C/-36°F	
900M-T-SB 0°C		900M-T-3C 0°C		900M-T-1.8H -10°C/-18°F	
900M-T-B 0°C		900M-T-4C 0°C		900M-T-S4 0°C	

900M系列外径φ6.5mm 900M Series Tip Out Diam φ6.5mm

X-ON Electronics

Largest Supplier of Electrical and Electronic Components

Click to view similar products for [Soldering & Desoldering Stations](#) category:

Click to view products by [GuangZhou YiHua Electronic](#) manufacturer:

Other Similar products are found below :

[WTL1000-1](#) [700-3051-ESD](#) [T0058758721N](#) [T0051516199N](#) [WXD2010N](#) [AT-937A](#) [AT-980E](#) [DDSE-2QC](#) [0016606](#) [QUICK 805A](#) [202375](#)
[202212](#) [TS1200D](#) [T0051312499N](#) [T0052922699](#) [LF1680](#) [5100-0092](#) [T0050100499](#) [WELPB102](#) [700-3057](#) [17100-150](#) [17100-200](#) [17100-](#)
[300](#) [17401](#) [17502](#) [17701F](#) [P-907](#) [MT-687](#) [SBK8586](#) [5SI-216N-K](#) [5SI-216N-2.4D](#) [SS-593H](#) [ECC95650EU](#) [5SI-216N-I](#) [5SI-216N-3.2D](#)
[quick236](#) [969A](#) [960-K](#) [960-3C](#) [BGA0001-S](#) [BGA0004-S](#) [BGA0009-S](#) [cs-reflo-05](#) [CS-REFLO-06](#) [ECC154499EU](#) [ECC154500EU](#)
[ECC105279EU](#) [ECC169571EU](#) [ECC169572EU](#) [ECC86945EU](#)