



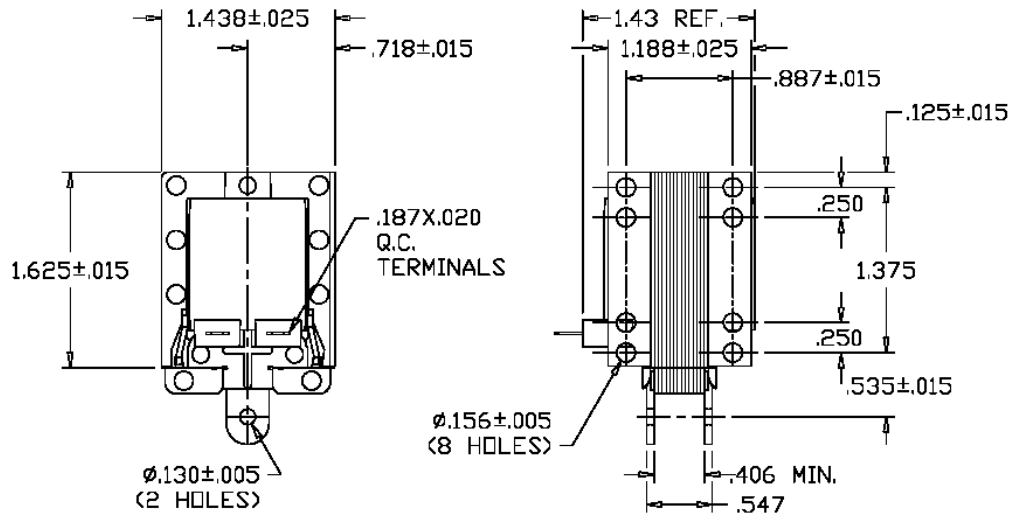
GUARDIAN Electric Manufacturing

ISO 9001 / AS9100 Certified Company

Woodstock, IL 60098 Ph. (815)334-3600 Fax (815)337-0377

Or visit us at our website www.guardian-electric.com

Model 16 Laminated AC Frame Solenoid



Solenoid shown energized and fully seated.

Total Weight: 9 oz.

Plunger Weight: 2 oz.


Model No.	Part No.	Duty Cycle	Volts	Res. (Ω)	Power (VA)	Current, Seated (mA)
16-I-120A	A421-064142-02	*Intermittent	120	41	70	583
16-C-120A	A421-064142-01	Continuous	120	85	20	167
16-I-240A	A421-064142-04	*Intermittent	240	200	70	292
16-C-240A	A421-064142-03	Continuous	240	350	20	83

When ordering, please refer to Part No., as listed above.

Consult factory for custom configurations.

Stroke (in.)	Pull Force (oz.)							Holding Force (oz.)
	0.125	0.250	0.375	0.500	0.625	0.750	1.000	
Continuous Duty	68	43	35	30	23	18	8	70
*Intermittent Duty	112	80	67	60	50	35	8	130

UL Recognition

Recognized under the  Component Recognition Program of Underwriters Laboratories, Inc.

Continuous Duty

100% 'On' Time

*Intermittent Duty

10% 'On' Time, (150 Seconds 'On' Max. Followed By 1350 Seconds 'Off' Min.)

RoHS

These parts comply with **RoHS** Directive 2002/95/EC

X-ON Electronics

Largest Supplier of Electrical and Electronic Components

Click to view similar products for guardian electric manufacturer:

Other Similar products are found below :

[645U-C-24D](#) [845LS-2C-12D](#) [11-C-6D](#) [11L-C-12D](#) [A218-000942-02](#) [A218-100646-02](#) [A419-063394-03](#) [A420-062189-00](#) [A420-064803-00](#)
[A420-065570-00](#) [A420-067860-00](#) [1215-3C-110D](#) [1210-3C-6A](#) [1240-2C-24A](#) [1220-3C-24A](#) [1225U-2C-6D](#) [1345-1C-24D](#) [1390-5SM](#) [1395-](#)
[2C-90D](#) [1395HP-2C-110D](#) [1415-2C-24D](#) [1415-3C-110D](#) [1510-2PC](#) [1515F-1C-12D](#) [1515F-1C-24D](#) [1515P-3C-6D](#) [1565-1A-12D](#) [MSSR-2I-](#)
[10](#) [1675-1C-5D](#) [24-C-6D](#) [2600U-2C-24A](#) [2600U-DPDT-240A](#) [2620U-DPST-240A](#) [2700-4C-12A](#) [2700-4C-24A](#) [28S-I-24D](#) [A410-066507-](#)
[00](#) [A420-062894-01](#) [A420-064802-00](#) [A420-064842-00](#) [A420-065514-00](#) [A420-066022-00](#) [1715HS-1C-6D](#) [LT3.5X9-C-12D](#) [LT3.5X9-I-](#)
[12D](#) [200-12A](#) [PR1-610](#) [28P-I-24A](#) [2-C-24D](#) [LT8X9-C-12D](#)