



GENERAL DESCRIPTION

The WS339E is an advanced multiprotocol transceiver supporting RS-232, RS-485, and RS-422 serial standards in a 40 pin QFN package. Integrated cable termination and four configuration modes allow all three protocols to be used interchangeably over a single cable or connector with no additional switching components. Full operation requires only four external charge pump capacitors.

The RS-485/422 modes feature one drivers and one receivers (1TX/1RX) in both half and full duplex configurations. The RS-232 mode (3TX/5RX) provides full support of all eight signals commonly used with the DB9 RS-232 connector. A dedicated diagnostic loopback mode is also provided.

The high speed drivers operate up to 20Mbps in RS-485/422 modes, and up to 1Mbps in RS-232 mode. All drivers can be slew limited to 250kbps in any mode to minimize electromagnetic interference (EMI).

All transmitter outputs and receiver inputs feature robust electrostatic discharge (ESD) protection to $\pm 15\text{kV}$ IEC-61000-4-2 Air Gap, $\pm 8\text{kV}$ IEC-61000-4-2

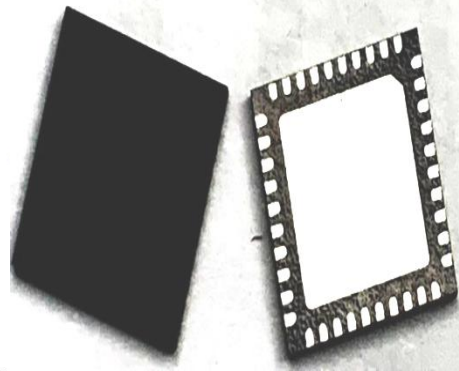
Contact, and $\pm 15\text{kV}$ Human Body Model (HBM). Each receiver output has full fail-safe protection to avoid system lockup, oscillation, or indeterminate states by defaulting to logic-high output level when the inputs are open, shorted, or terminated but undriven.

The RS-232 receiver inputs include a $5\text{k}\Omega$ pull-down to ground. The RS-485/422 receiver inputs are high impedance ($>96\text{k}\Omega$), allowing up to 256 devices on a single communication bus (1/8th unit load).

The WS339E operates from a single power supply, either 3.3V or 5V, with low idle current (2mA typical in all modes). The shutdown mode consumes less than $10\mu\text{A}$ for low power standby operation.

WS339E

3.3V or 5V Single Supply Operation
RS232/RS485/RS422 multiprotocol



FEATURES

- **Need external resistors required for RS-485/422 termination and biasing**
- **Max Data Rate of 20Mbps in RS-485/422 Modes and up to 1Mbps in RS-232 Modes**
- **Pin selectable 250kbps Slew Limiting**
- **3 Drivers, 5 Receivers RS-232/V.28**
- **1 Drivers, 1 Receivers RS-485/422**
 - **Full and Half Duplex Configuration**
 - **1/8th Unit Load, up to 256 receivers**

on bus

- **RS-485/422 Enhanced Failsafe for open, shorted, or terminated but idle inputs**
- **Robust ESD Protection on bus pins**
 $\pm 15\text{kV}$ Human Body Model (HBM)
 $\pm 15\text{kV}$ EN61000-4-2 Air Gap Discharge
 $\pm 8\text{kV}$ EN61000-4-2 Contact Discharge

APPLICATIONS

- **Dual Protocol Serial Ports**
- **Industrial Computers**
- **Industrial and Process Control Equipment**
- **Point-Of-Sale Equipment**
- **Networking Equipment**
- **HVAC Controls Equipment**

**ORDERING INFORMATION**

PART NUMBER	PACKAGE	OPERATING TEMPERATURE RANGE	DEVICE STATUS
WS339EER1	40-pin QFN	-40°C to +85°C	Active

ABSOLUTE MAXIMUM RATINGS

These are stress ratings only and functional operation of the device at these ratings or any other above those indicated in the operation sections to the specifications below is not implied. Exposure to absolute maximum rating conditions for extended periods of time may affect reliability and cause permanent damage to the device.

Supply Voltage V_{CC}	-0.3V to +6.0V
Receiver Input Voltage (from Ground)	$\pm 18V$
Driver Output Voltage (from Ground)	$\pm 18V$
Short Circuit Duration, TX out to Ground	Continuous
Voltage at TTL Input Pins	-0.3V to ($V_{CC} + 0.5V$)
Storage Temperature Range	-65°C to +150°C
Lead Temperature (soldering, 10s)	+300°C
Power Dissipation 40-pin QFN (derate 17mW/°C above +70°C)	500mW

CAUTION:

ESD (Electro Static Discharge) sensitive device. Permanent damage may occur on unconnected devices subject to high energy electrostatic fields. Unused devices must be stored in conductive foam or shunts. Personnel should be properly grounded prior to handling this device. The protective foam should be discharged to the destination socket before devices are removed.

ESD PROTECTION

		MIN.	TYP.	MAX.	UNITS	
R1-R9	Tx Output & Rx Input Pins		± 15		kV	Human Body Model (HBM)
			± 8		kV	IEC 61000-4-2 (Contact)
			± 15		kV	IEC 61000-4-2 (Air Gap)
	All Other Pins		± 2		kV	Human Body Model (HBM)



PIN DESCRIPTIONS BY MODE (MODE1, MODE0)

Pin	Name	00 Figure 1	01 Figure 2	10 Figure 3	11 Figure 4
1	L1	R1 Output		1	1
2	L2	R2 Output		R1 Output	R1 Output
3	L3	T1 Input		T1 Input	T1 Input
4	L4	T2 Input			
5	L6	R3 Output		1	1
6	L7	T3 Input			
7	L8	R4 Output		1	1
8	L9	R5 Output		1	1
9	VCC	VCC			
10	GND	GND			
	SLEW	SLEW=VCC enables 250k bps slew limiting			
12	DIR1			T1 Enable R1 Disable	T1 Enable
	NC	This pin is not used and is not connected internally			
	MODE0	0	1	0	1
	MODE1	0	0	1	1
	NC	This pin is not used and is not connected internally			
	NC	This pin is not used and is not connected internally			
	NC	This pin is not used and is not connected internally			
	ENABLE	ENABLE = VCC for operation, ENABLE = 0V for shutdown			
	VCC	VCC			



PIN DESCRIPTIONS BY MODE (MODE2, MODE1, MODE0)

Pin	Name	00 Figure 1	01 Figure 2	10 Figure 3	11 Figure 4
21	R9		R5 Input		
22	R8		R4 Input		
23	GND	GND			
24	R7		T3 Output		
25	R6		R3 Input		
26	GND	GND			
27	R4		T2 Output		R1 Input B
28	R3		T1 Output		R2 Input A
29	GND	GND			
30	R2		R2 Input	R1 Input A T1 Out A	T1 Out A
31	R1		R1 Input	R1 Input B T1 Out B	T1 Out B
32	VCC	VCC			
33	V-	V- Charge pump negative supply, 0.1uF from ground			
34	C2-	C2+ Charge pump cap 2 negative lead			
35	C1-	C1- Charge pump cap 1 negative lead			
36	GND	GND			
37	C1+	C1+ Charge pump cap 1 positive lead, 0.1uF			
38	VCC	VCC			
39	C2+	C2+ Charge pump cap 2 positive lead, 0.1uF			
40	V+	V+ Charge pump positive supply, 0.1uF to ground			



SUGGESTED DB9 CONNECTOR PINOUT

DB9 Pin	RS-232	RS-485/422 Full Duplex	RS-485 Half Duplex
1	DCD	TX-	Data-
2	RXD	TX+	Data+
3	TXD	RX+	
4	DTR	RX-	
5	Ground		
6	DSR		
7	RTS		
8	CTS		
9	RI		

**ELECTRICAL CHARACTERISTICS****UNLESS OTHERWISE NOTED:**

$V_{CC} = +3.3V \pm 5\%$ or $+5.0V \pm 5\%$, $C1-C4 = 0.1\mu F$; $T_A = T_{MIN}$ to T_{MAX} . Typical values are at $V_{CC} = 3.3V$, $T_A = +25^\circ C$.

SYMBOL	PARAMETERS	MIN.	TYP.	MAX.	UNITS	CONDITIONS
DC CHARACTERISTICS						
I_{CC}	Supply Current (RS-232)		2	8	mA	No load, idle inputs
I_{CC}	Supply Current (RS-485)		2	8	mA	No load, idle inputs
I_{CC}	Vcc Shutdown Current		1	10	μA	ENABLE = 0V
TRANSMITTER and LOGIC INPUT PINS: Pins 3, 4, 6, 11,12,14,15,17-19						
V_{IH}	Logic Input Voltage High	2.0			V	$V_{CC} = 3.3V$
V_{IH}	Logic Input Voltage High	2.4			V	$V_{CC} = 5.0V$
V_{IL}	Logic Input Voltage Low			0.8	V	
I_{IL}	Logic Input Leakage Current Low			1	μA	Input Low ($V_{IN} = 0V$)
I_{IH}	Logic Input Leakage Current High			1	μA	Input High ($V_{IN} = V_{CC}$), pins 3, 4 and 6
I_{PD}	Logic Input Pull-down Current			50	μA	Input High ($V_{IN} = V_{CC}$), pins 11,12,14,15,17-19
V_{HYS}	Logic Input Hysteresis		200		mV	
RECEIVER OUTPUTS: Pins 1, 2, 5, 7, 8						
V_{OH}	Receiver Output Voltage High	$V_{CC}-0.6$			V	$I_{OUT} = -1.5mA$
V_{OL}	Receiver Output Voltage Low			0.4	V	$I_{OUT} = 2.5mA$
I_{OSS}	Receiver Output Short Circuit Current		± 20	± 60	mA	$0 < V_O < V_{CC}$
I_{OZ}	Receiver Output Leakage Current		± 0.1	± 1	μA	$0 < V_O < V_{CC}$, Receivers disabled

**ELECTRICAL CHARACTERISTICS (Continued)****UNLESS OTHERWISE NOTED:**

VCC = +3.3V ±5% or +5.0V ±5%, C1-C4 = 0.1µF; TA = TMIN to TMAX. Typical values are at VCC = 3.3V, TA = +25°C.

SYMBOL	PARAMETERS	MIN.	TYP.	MAX.	UNITS	CONDITIONS
SINGLE-ENDED RECEIVER INPUTS (RS-232)						
V _{IN}	Input Voltage Range	-15		+15	V	
V _{IL}	Input Threshold Low	0.6	1.2		V	V _{CC} = 3.3V
		0.8	1.5		V	V _{CC} = 5.0V
V _{IH}	Input Threshold High		1.5	2.0	V	V _{CC} = 3.3V
			1.8	2.4	V	V _{CC} = 5.0V
V _{HYS}	Input Hysteresis		0.3		V	
R _{IN}	Input Resistance	3	5	7	kΩ	-15V < V _{IN} < +15V
SINGLE-ENDED DRIVER OUTPUTS (RS-232)						
V _O	Output Voltage Swing	±5.0	±5.5		V	Output loaded with 3kΩ to Gnd
				±7.0	V	No load output
I _{SC}	Short Circuit Current			±60	mA	V _O = 0V
R _{OFF}	Power Off Impedance	300	10M		Ω	V _{CC} = 0V, V _O = ±2V

**ELECTRICAL CHARACTERISTICS (Continued)****UNLESS OTHERWISE NOTED:**

$V_{CC} = +3.3V \pm 5\%$ or $+5.0V \pm 5\%$, $C1-C4 = 0.1\mu F$; $T_A = T_{MIN}$ to T_{MAX} . Typical values are at $V_{CC} = 3.3V$, $T_A = +25^\circ C$.

SYMBOL	PARAMETERS	MIN.	TYP.	MAX.	UNITS	CONDITIONS
DIFFERENTIAL RECEIVER INPUTS (RS-485 / RS-422)						
R_{IN}	Receiver Input Resistance	96			k Ω	$-7V < V_{IN} < +12V$
V_{TH}	Receiver Differential Threshold Voltage	-200	-125	-50	mV	
ΔV_{TH}	Receiver Input Hysteresis		25		mV	$V_{CM} = 0V$
I_{IN}	Receiver Input Current			125	μA	$V_{IN} = +12V$
				-100	μA	$V_{IN} = -7V$
DIFFERENTIAL DRIVER OUTPUTS (RS-485 / RS-422)						
V_{OD}	Differential Driver Output	2		V_{CC}	V	$R_L = 100\Omega$ (RS-422), Figure 5
		1.5		V_{CC}	V	$R_L = 54\Omega$ (RS-485), Figure 5
		1.5		V_{CC}	V	$-7V < V_{CM} < +12V$, Figure 6
				V_{CC}	V	No Load
ΔV_{OD}	Change In Magnitude of Differential Output Voltage	-0.2		+0.2	V	$R_L = 54\Omega$ or 100Ω , Figure 5
V_{CM}	Driver Common Mode Output Voltage			3	V	$R_L = 54\Omega$ or 100Ω , Figure 5
ΔV_{CM}	Change In Magnitude of Common Mode Output Voltage			0.2	V	$R_L = 54\Omega$ or 100Ω , Figure 5
I_{OSD}	Driver Output Short Circuit Current	-250		250	mA	$-7V < V_O < +12V$, Figure 7
I_O	Driver Output Leakage Current			100	μA	ENABLE = 0V, or DIR1 = 0V and DIR2 = 0V in full duplex modes, $V_O = +12V$, $V_{CC} = 0V$ or 5.25V
		-100			μA	ENABLE = 0V, or DIR1 = 0V and DIR2 = 0V in full duplex modes, $V_O = -7V$, $V_{CC} = 0V$ or 5.25V

**TIMING CHARACTERISTICS****UNLESS OTHERWISE NOTED:**

VCC = +3.3V ±5% or +5.0V ±5%, C1-C4 = 0.1µF; TA = TMIN to TMAX. Typical values are at VCC = 3.3V, TA = +25°C.

SYMBOL	PARAMETERS	MIN.	TYP.	MAX.	UNITS	CONDITIONS
ALL MODES						
t _{ENABLE}	Enable from Shutdown		1000		ns	
t _{SHUTDOWN}	Enable to Shutdown		1000		ns	
RS-232, DATA RATE = 250kbps (SLEW = Vcc), ONE TRANSMITTER SWITCHING						
	Maximum Data Rate	250			kbps	R _L = 3kΩ, C _L = 1000pF
t _{RHL} , t _{RLH}	Receiver Propagation Delay		100		ns	C _L = 150pF, Figure 8
t _{RHL} -t _{RLH}	Receiver Propagation Delay Skew			100	ns	
t _{DHL} , t _{DLH}	Driver Propagation Delay		1400		ns	R _L = 3kΩ, C _L = 2500pF, Figure 9
t _{DHL} -t _{DLH}	Driver Propagation Delay Skew			600	ns	
t _{SHL} , t _{SLH}	Transition Region Slew Rate from +3.0V to -3.0V or -3.0V to +3.0V	4		30	V/µs	V _{CC} = 3.3V, R _L = 3kΩ to 7kΩ, C _L = 150pF to 2500pF, Figure 9
t _{SHL} , t _{SLH}	Transition Region Slew Rate from +3.0V to -3.0V or -3.0V to +3.0V	6		30	V/µs	V _{CC} = 3.3V, R _L = 3kΩ to 7kΩ, C _L = 150pF to 2500pF, T _A = 25°C, Figure 9
RS-232, DATA RATE = 1Mbps (SLEW = 0V), ONE TRANSMITTER SWITCHING						
	Maximum Data Rate	1			Mbps	R _L = 3kΩ, C _L = 250pF
t _{RHL} , t _{RLH}	Receiver Propagation Delay		100		ns	C _L = 150pF, Figure 8
t _{RHL} -t _{RLH}	Receiver Propagation Delay Skew			100	ns	
t _{DHL} , t _{DLH}	Driver Propagation Delay		300		ns	R _L = 3kΩ, C _L = 1000pF, Figure 9
t _{DHL} -t _{DLH}	Driver Propagation Delay Skew			150	ns	
t _{SHL} , t _{SLH}	Transition Region Slew Rate from +3.0V to -3.0V or -3.0V to +3.0V	15		150	V/µs	V _{CC} = 3.3V, R _L = 3kΩ to 7kΩ, C _L = 150pF to 1000pF, Figure 9
t _{SHL} , t _{SLH}	Transition Region Slew Rate from +3.0V to -3.0V or -3.0V to +3.0V	24		150	V/µs	V _{CC} = 3.3V, R _L = 3kΩ to 7kΩ, C _L = 150pF to 1000pF, T _A = 25°C, Figure 9

**TIMING CHARACTERISTICS (Continued)****UNLESS OTHERWISE NOTED:**

VCC = +3.3V ±5% or +5.0V ±5%, C1-C4 = 0.1μF; TA = TMIN to TMAX. Typical values are at VCC = 3.3V, TA = +25°C.

SYMBOL	PARAMETERS	MIN.	TYP.	MAX.	UNITS	CONDITIONS
RS-485/RS-422, DATA RATE = 250kbps (SLEW = Vcc), ONE TRANSMITTER SWITCHING						
	Maximum Data Rate	250			kbps	RL = 54Ω, CL = 50pF
tRPHL, tRPLH	Receiver Propagation Delay		150	200	ns	CL = 15pF, Figure 10
tRPHL-tRPLH	Receiver Propagation Delay Skew			20	ns	
tDPHL, tDPLH	Driver Propagation Delay		500	1000	ns	RL = 54Ω, CL = 50pF, Figure 11
tDPHL-tDPLH	Driver Propagation Delay Skew			100	ns	
tDR, tDF	Driver Rise and Fall Time	300	650	1200	ns	
RS-485/RS-422, DATA RATE = 20Mbps (SLEW = 0V), ONE TRANSMITTER SWITCHING						
	Maximum Data Rate	20			Mbps	RL = 54Ω, CL = 50pF
tRPHL, tRPLH	Receiver Propagation Delay		150	200	ns	CL = 15pF, Figure 10
tRPHL-tRPLH	Receiver Propagation Delay Skew			50	ns	
tDPHL, tDPLH	Driver Propagation Delay		30	100	ns	RL = 54Ω, CL = 50pF, Figure 11
tDPHL-tDPLH	Driver Propagation Delay Skew			20	ns	
tDR, tDF	Driver Rise and Fall Time		10	20	ns	
RS-485/RS-422, DATA RATE = 20Mbps (SLEW = 0V), ONE TRANSMITTER SWITCHING						
tRZH, tRZL	Receiver Output Enable Time			200	ns	CL = 15pF, Figure 12
tRHZ, tRLZ	Receiver Output Disable Time			200	ns	
tDZH, tDZL	Driver Output Enable Time			200	ns	RL = 500Ω, CL = 50pF, Figure 13
tDHZ, tDLZ	Driver Output Disable Time			200	ns	



BLOCK DIAGRAM BY MODE (MODE1, MODE0)

FIGURE 1. MODE 00 - LOOPBACK

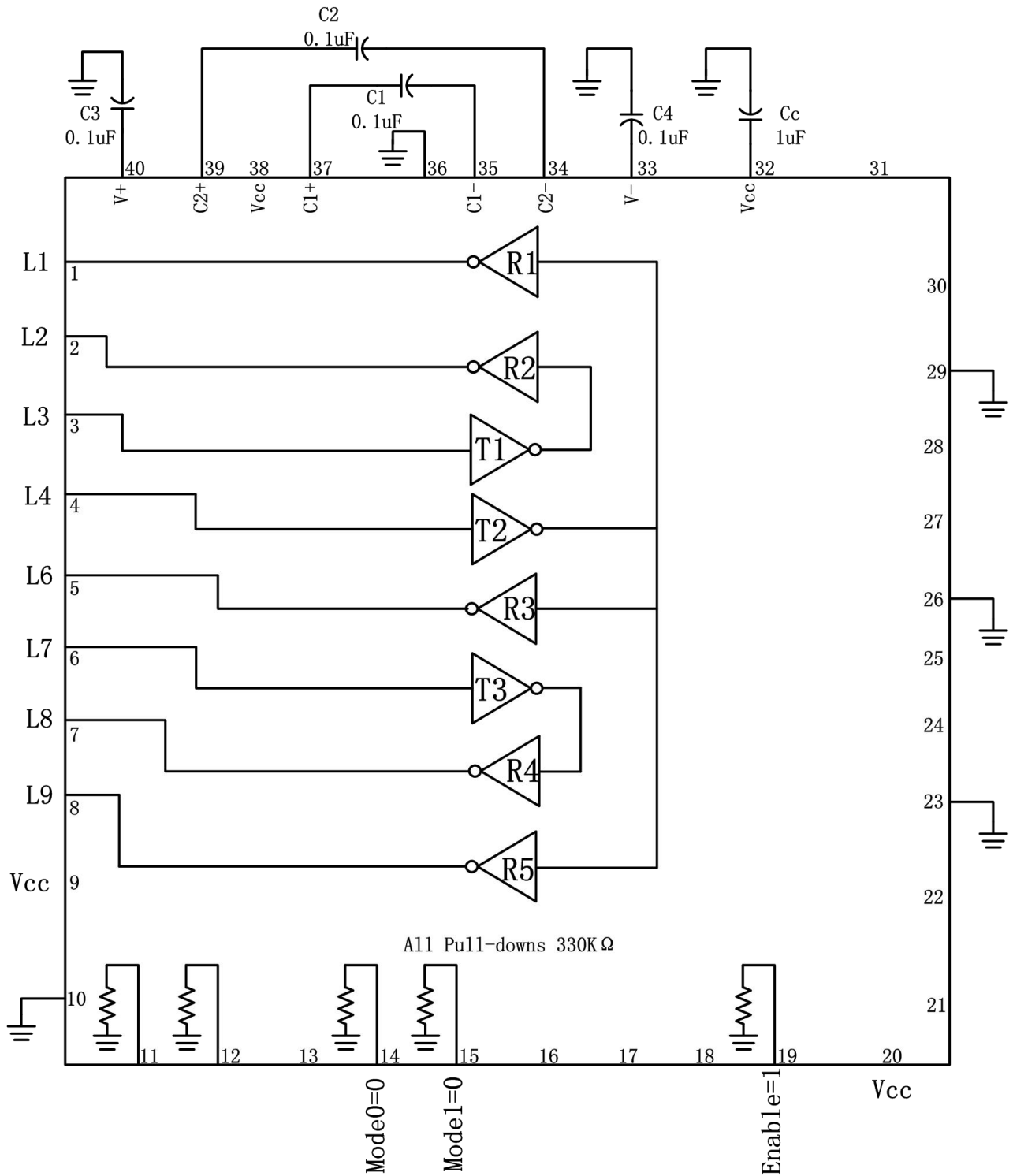




FIGURE 2. MODE 01 - RS-232

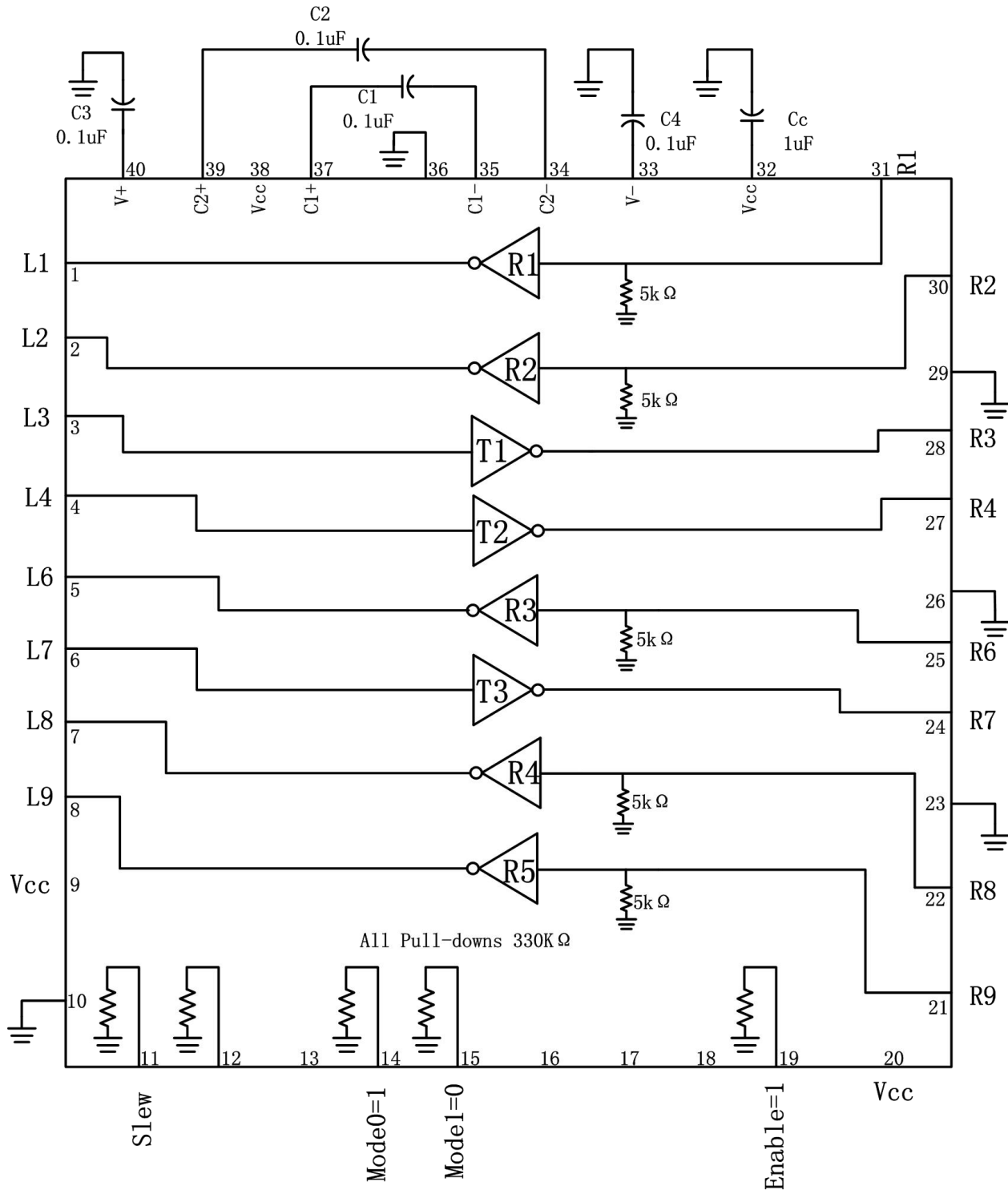




FIGURE 3. MODE 10 - RS-485 HALF DUPLEX

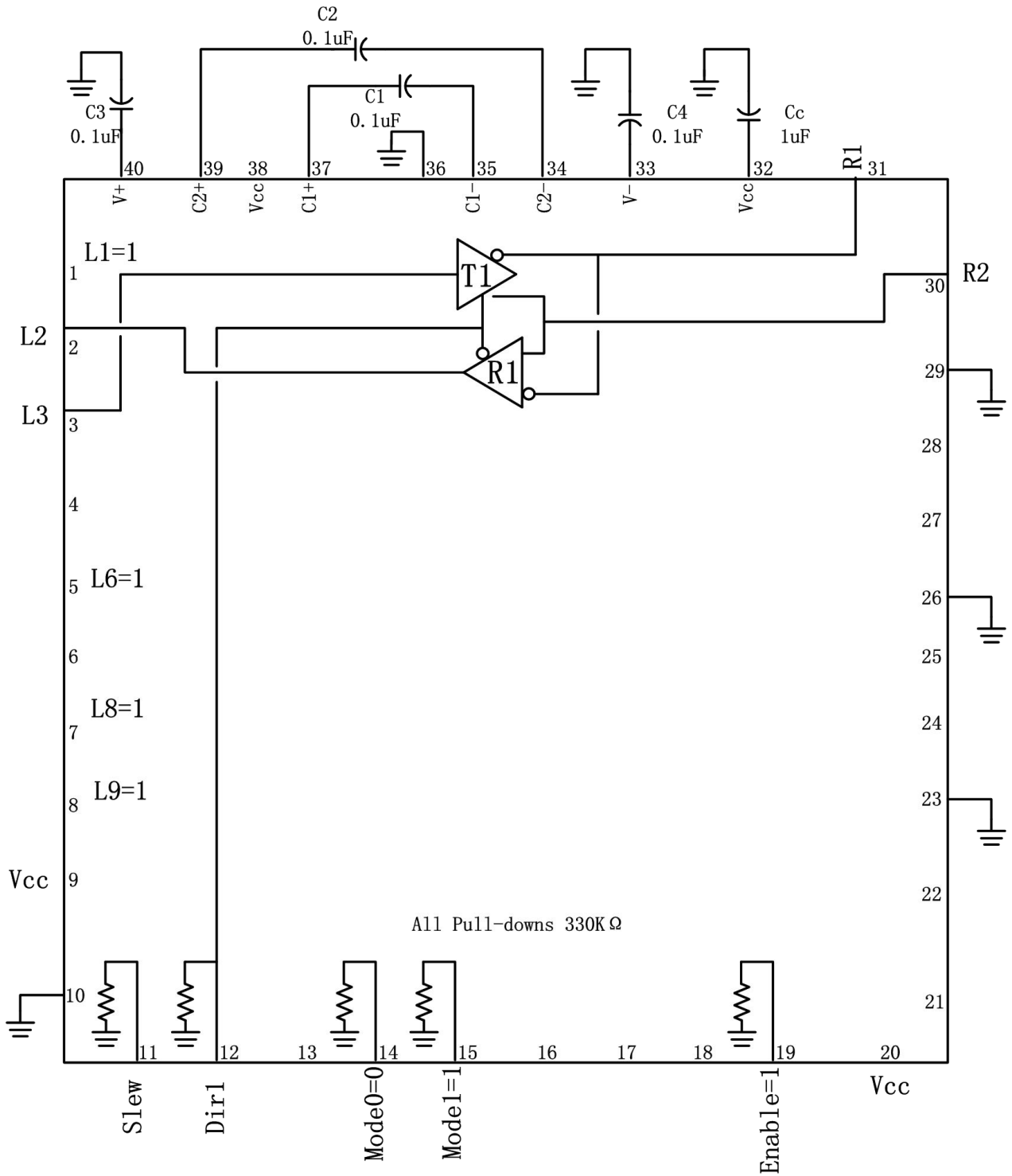
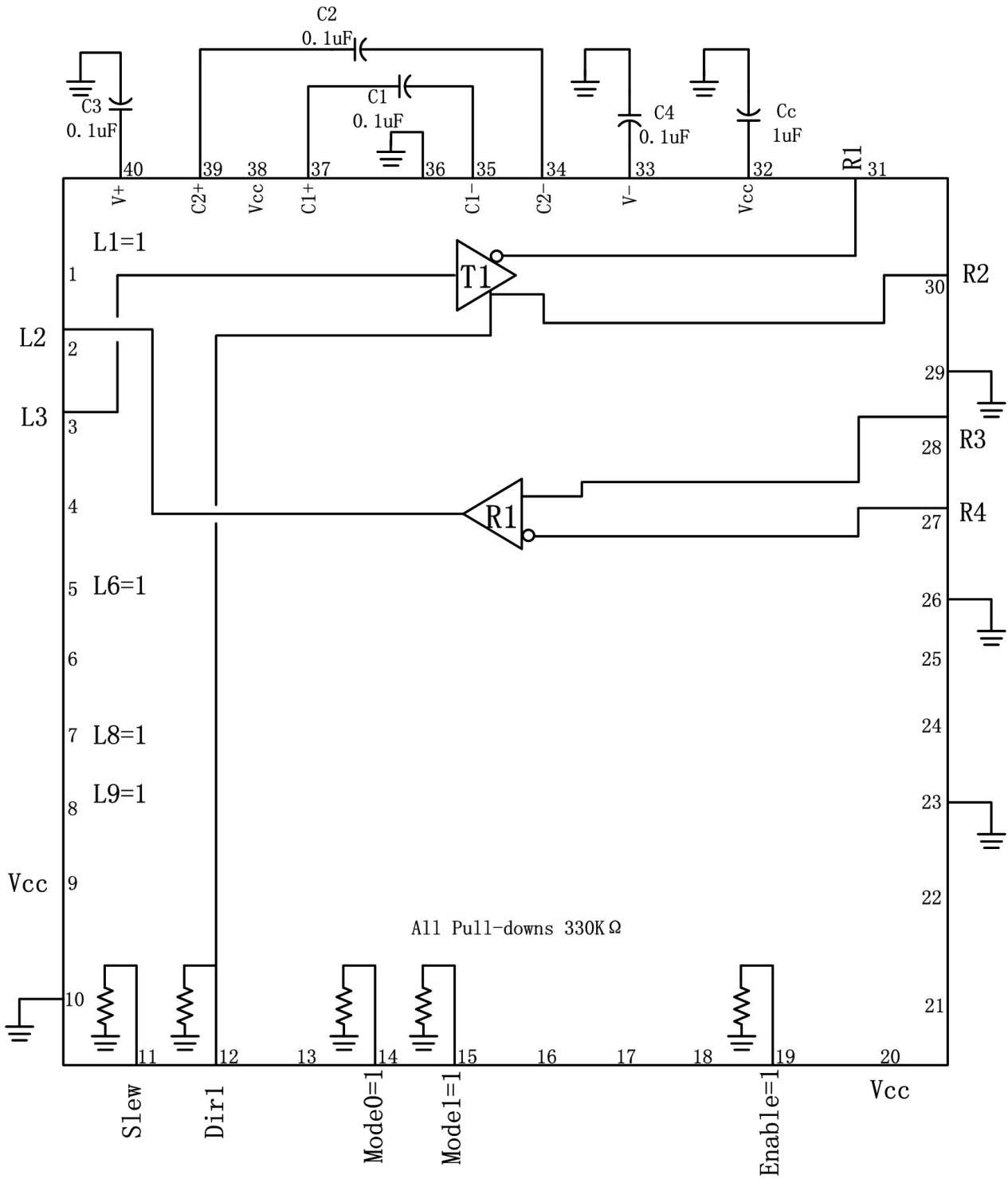




FIGURE 4. MODE 11 - RS-485/422 FULL DUPLEX



TEST CIRCUITS

FIGURE 5. RS-485/422 DIFFERENTIAL DRIVER OUTPUT VOLTAGE

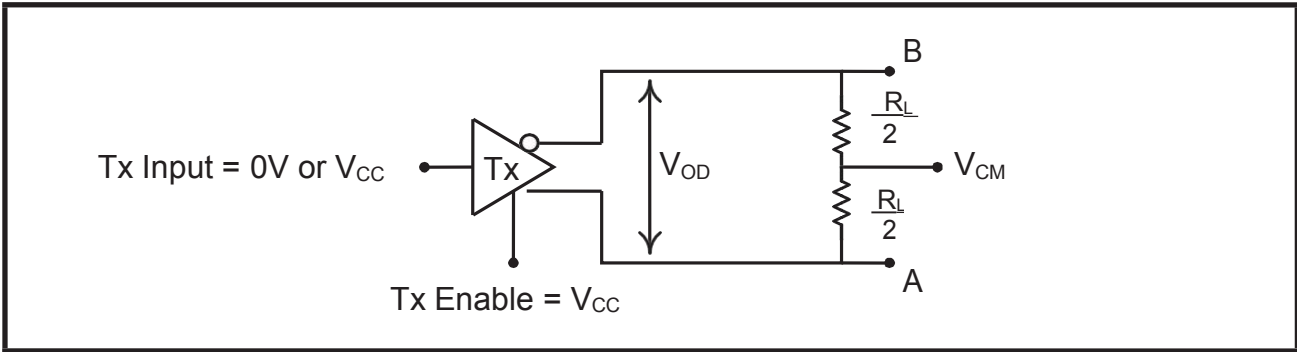


FIGURE 6. RS-485/422 DIFFERENTIAL DRIVER OUTPUT VOLTAGE OVER COMMON MODE

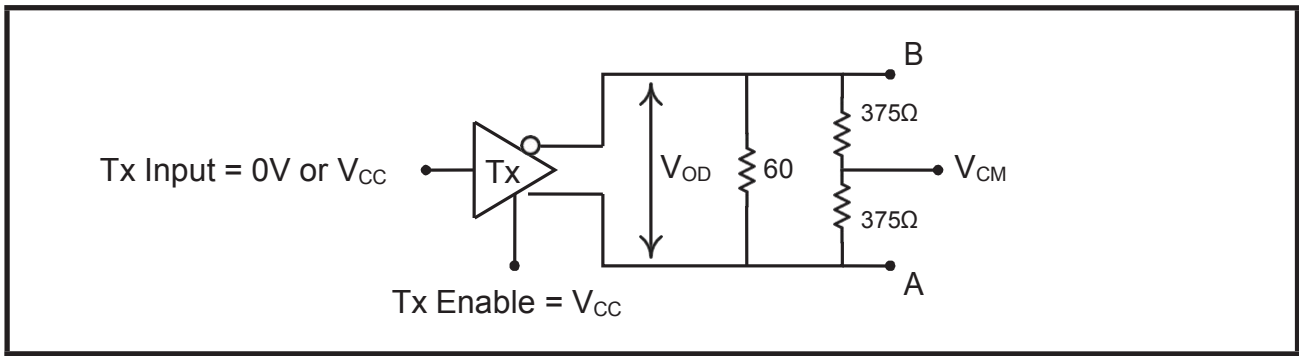


FIGURE 7. RS-485/422 DRIVER OUTPUT SHORT CIRCUIT CURRENT

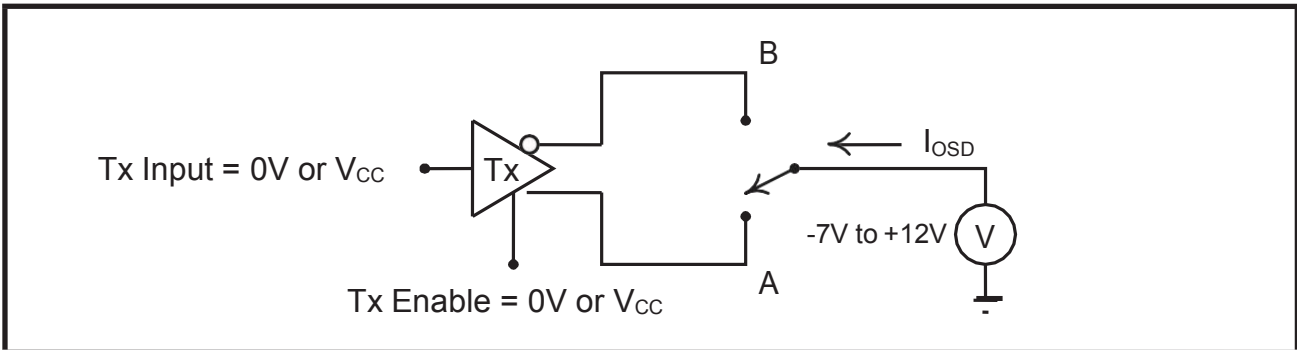


FIGURE 8. RS-232 RECEIVER PROPAGATION DELAY

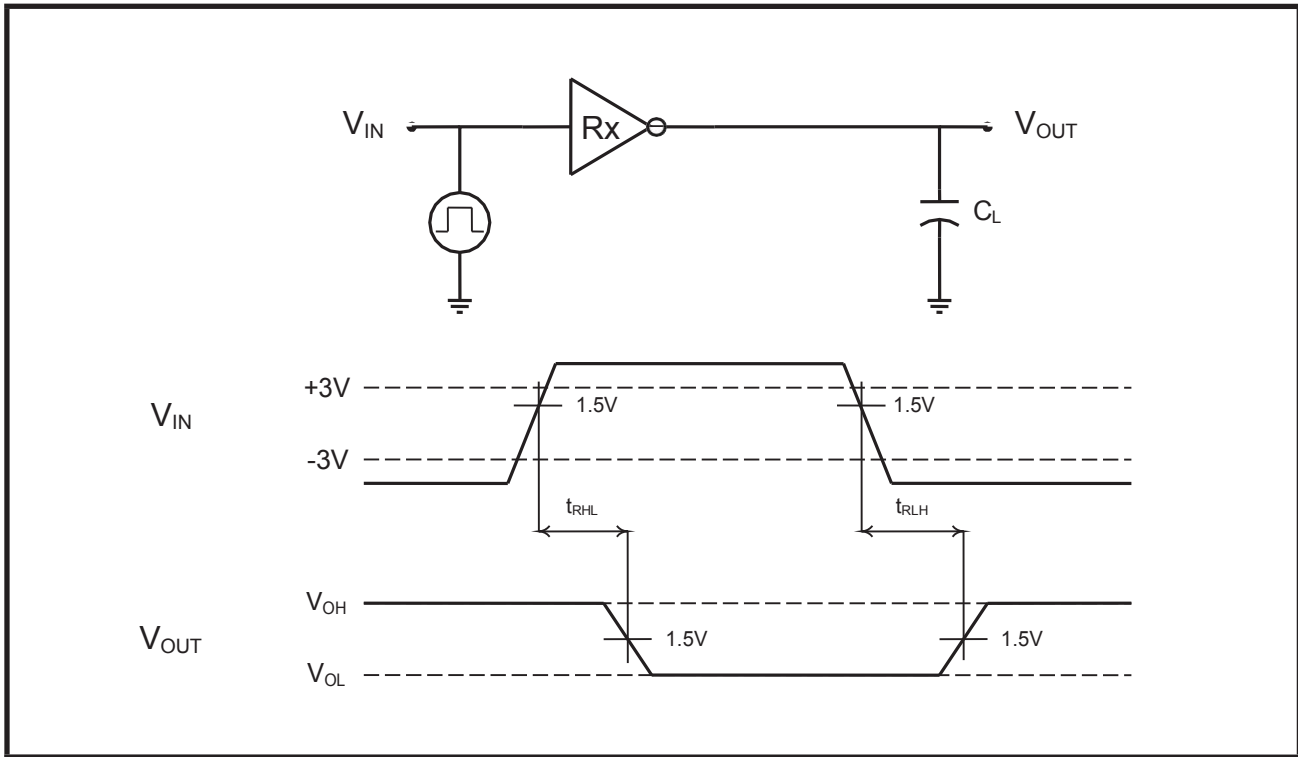


FIGURE 9. RS-232 DRIVER PROPAGATION DELAY

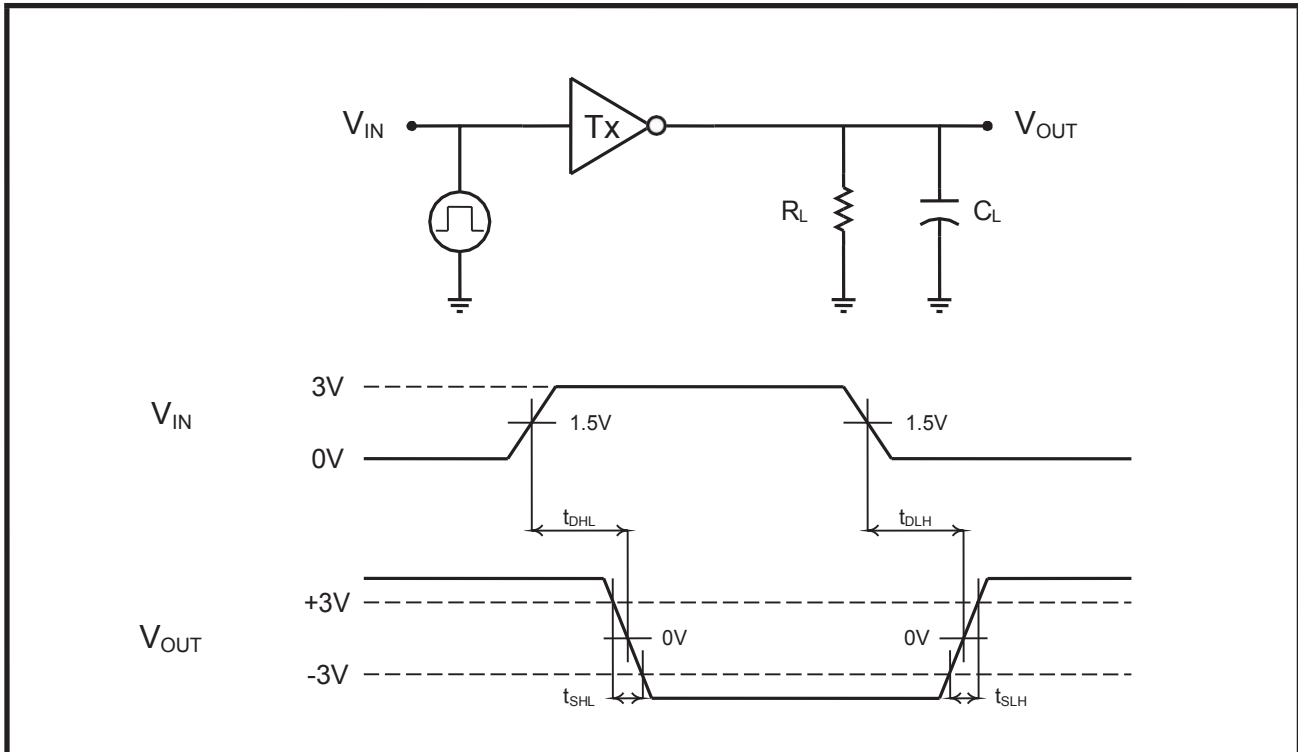


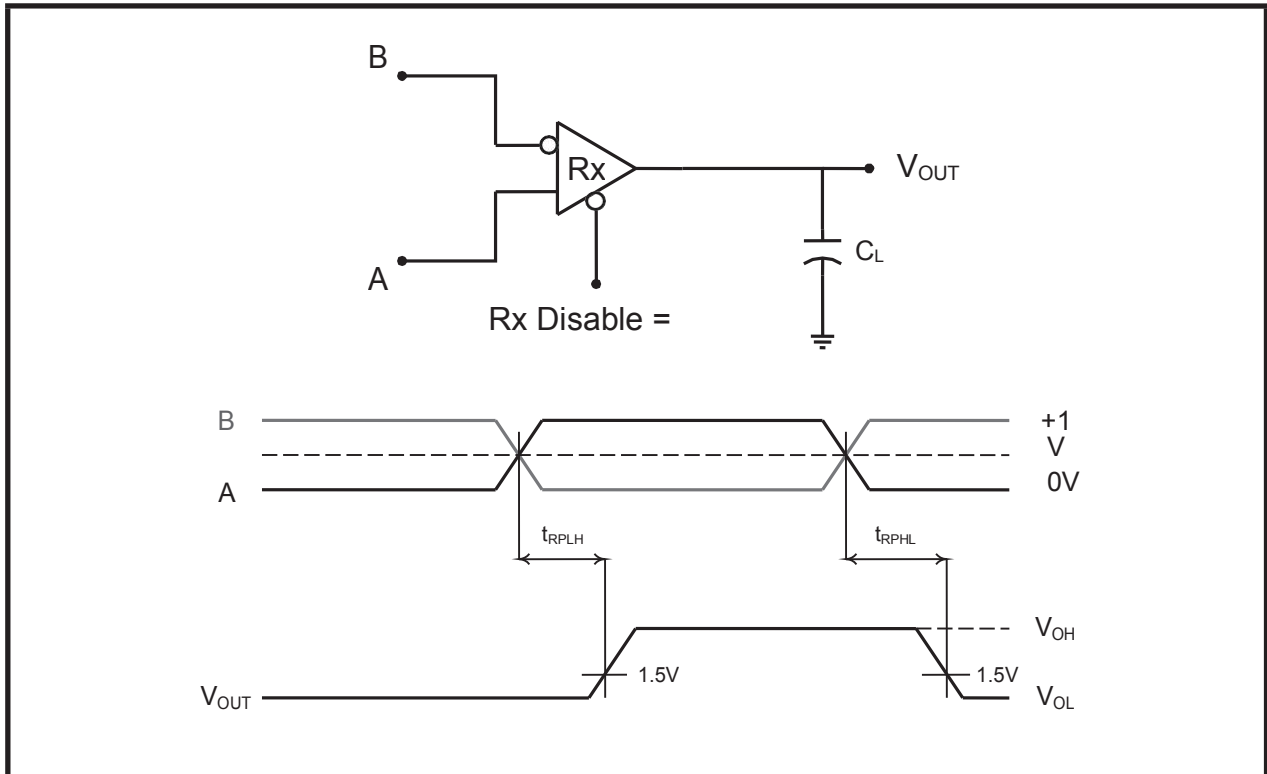
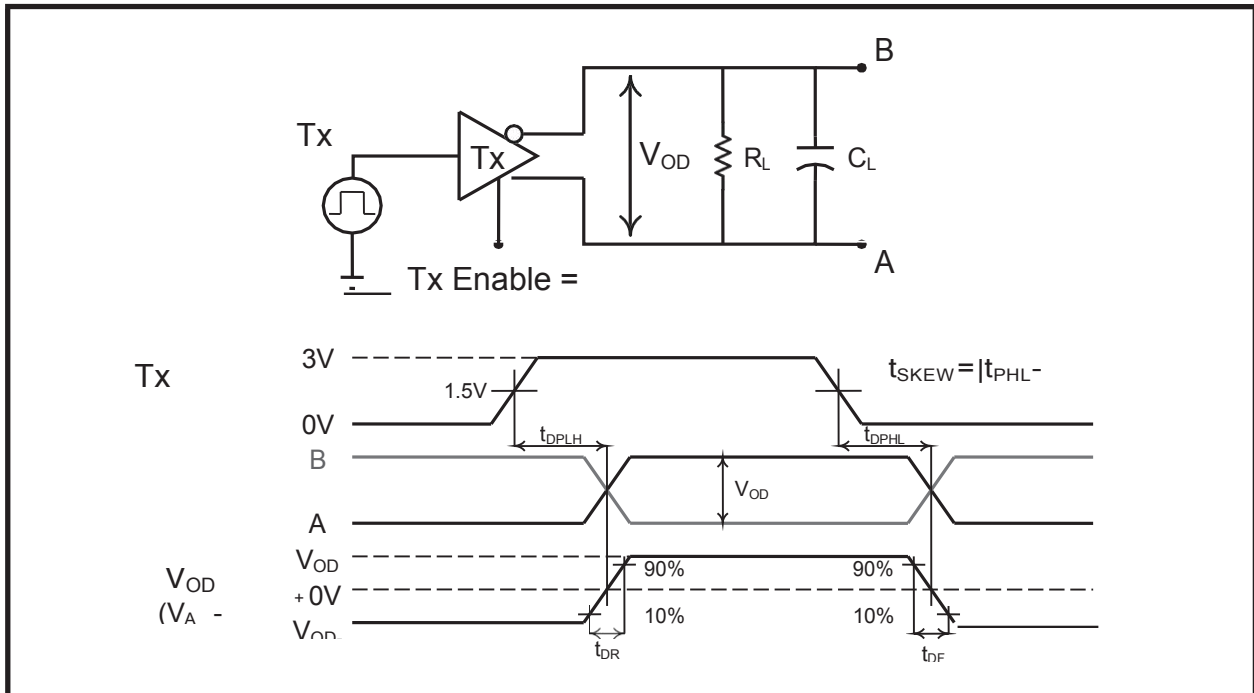
FIGURE 10. RS-485/422 RECEIVER PROPAGATION DELAY

FIGURE 11. RS-485/422 DRIVER PROPAGATION DELAY AND RISE/FALL TIMES


FIGURE 12. RS-485/422 RECEIVER OUTPUT ENABLE/DISABLE TIMES

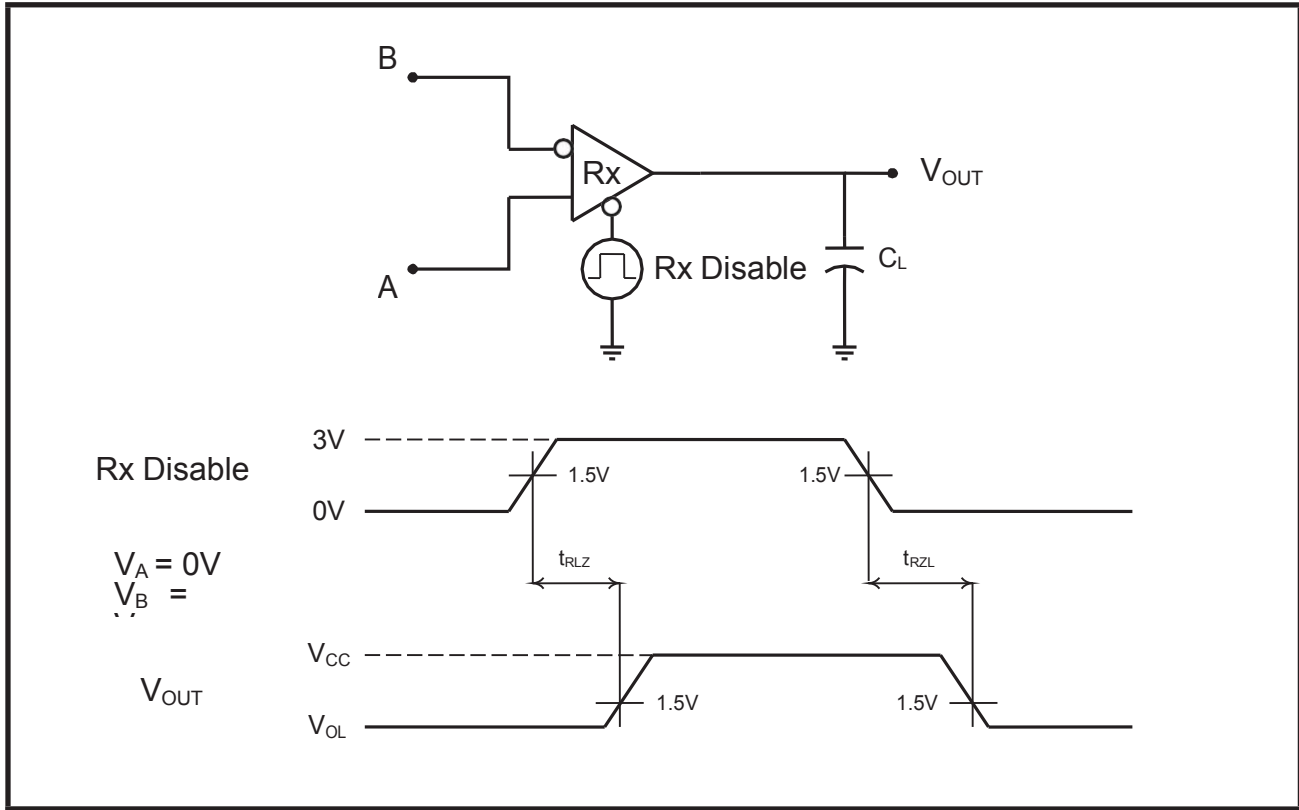
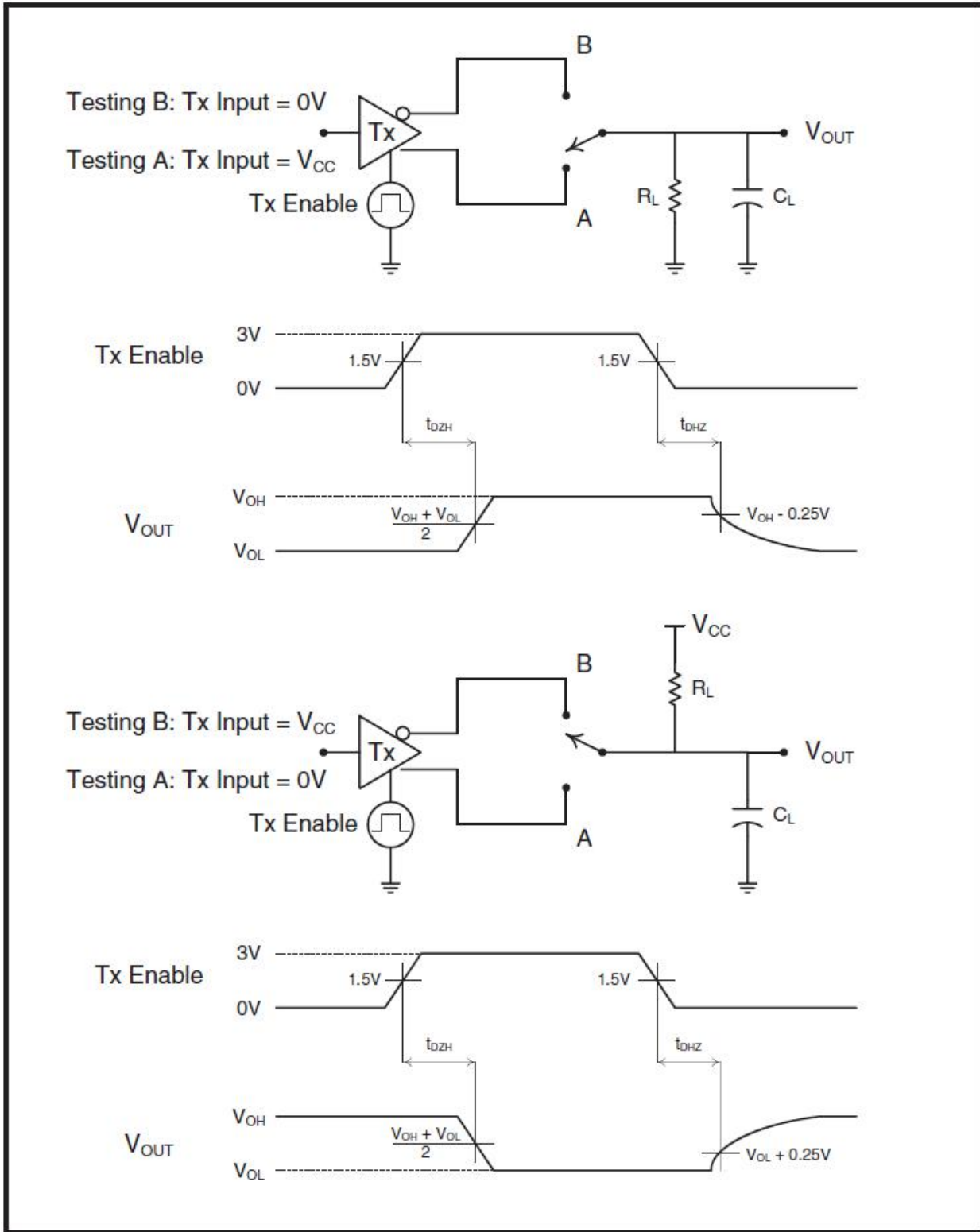


FIGURE 13. RS-485/422 DRIVER OUTPUT ENABLE/DISABLE TIMES





PRODUCT SUMMARY

The WS339E is an advanced multiprotocol transceiver supporting RS-232, RS-485, and RS-422 serial standards in a 40 pin QFN package. Integrated four configuration modes allow all three protocols to be used interchangeably over a single cable or connector with no additional switching components. The RS-485/422 modes feature one driver and one receiver (1TX/1RX) in both half and full duplex configurations. The RS-232 mode (3TX/5RX) provides full support of all eight signals commonly used with the DB9 RS-232 connector. A dedicated mode is also available for diagnostic loopback testing.

ENHANCED FAILSAFE

Ordinary RS-485 differential receivers will be in an indeterminate state whenever the data bus is not being actively driven. The enhanced failsafe feature of the WS339E guarantees a logic-high receiver output when the receiver inputs are open, shorted, or terminated but idle/undriven. The enhanced failsafe interprets 0V differential as a logic high with a minimum 50mV noise margin, while maintaining compliance with the EIA/TIA-485 standard of $\pm 200\text{mV}$. No external biasing resistors are required, further easing the usage of multiple protocols over a single connector.

$\pm 15\text{kV}$ ESD PROTECTION

ESD protection structures are incorporated on all pins to protect against electrostatic discharges encountered during handling and assembly. The bus pins (driver outputs and receiver inputs) have extra protection structures, which have been tested up to $\pm 15\text{kV}$ without damage. These structures withstand high ESD in all states: normal operation, shutdown and powered down.

ESD protection is tested in various ways. Guobo Electronic uses the following methods to qualify the protection structures designed into WS339E:

- $\pm 15\text{kV}$ using the Human Body Model (HBM)
- $\pm 8\text{kV}$ using IEC 61000-4-2 Contact Discharge
- $\pm 15\text{kV}$ using IEC 61000-4-2 Air Gap Discharge

The IEC 61000-4-2 standard is more rigorous than HBM, resulting in lower voltage levels compared with HBM for the same level of ESD protection. Because IEC 61000-4-2 specifies a lower series resistance, the peak current is higher than HBM. The WS339E has passed both HBM and IEC 61000-4-2 testing without damage.

DIAGNOSTIC LOOPBACK MODE

The WS339E includes a diagnostic digital loop back mode for system testing as shown in [Figure 1](#). The loopback mode connects the TTL driver inputs to the TTL receiver outputs, bypassing the analog driver and receiver circuitry. The analog/bus pins are internally disconnected in this mode.



PACKAGE DRAWINGS

FIGURE 14. QFN-40 PACKAGE OUTLINE DRAWING AND RECOMMENDED PCB LAND PATTERN

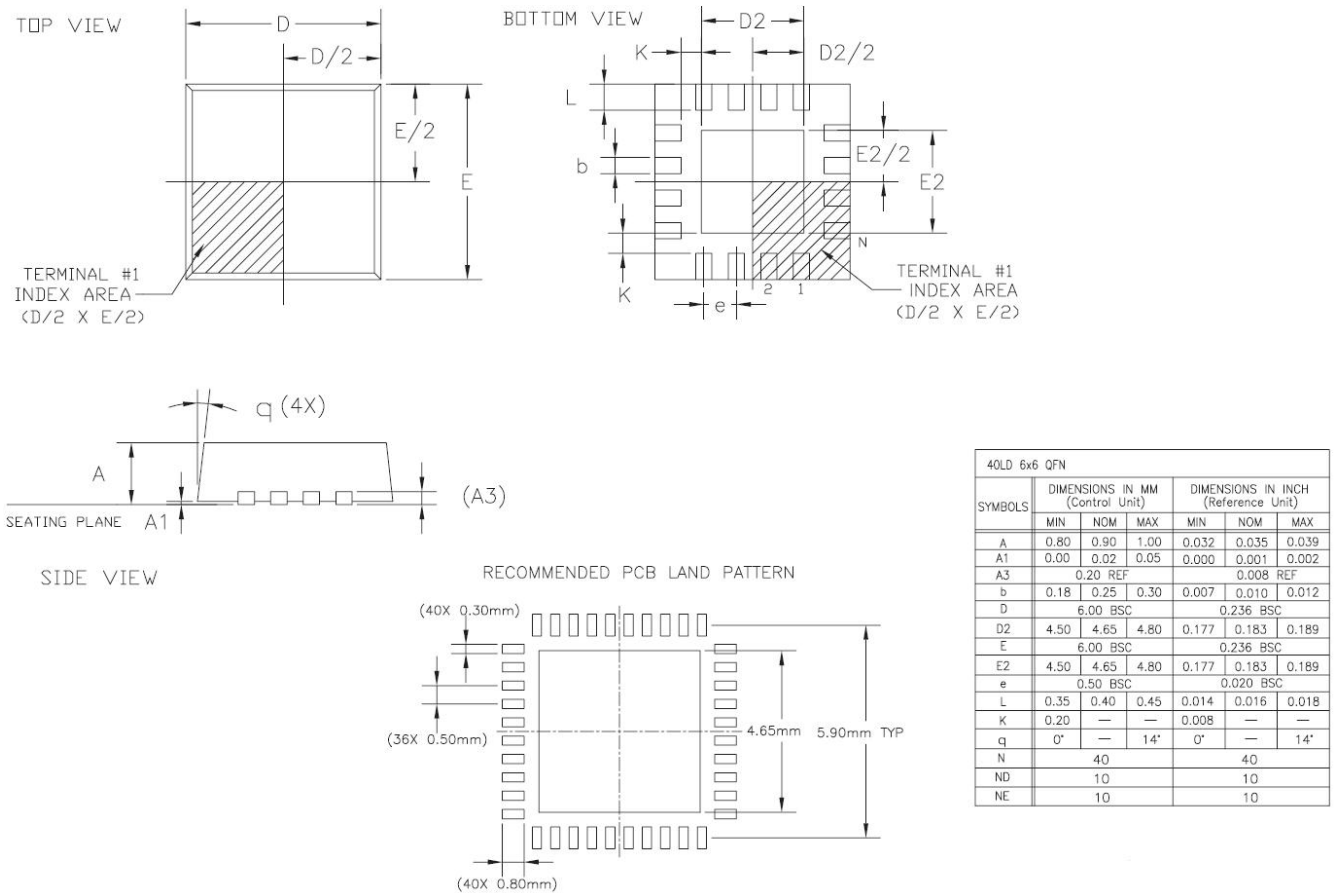
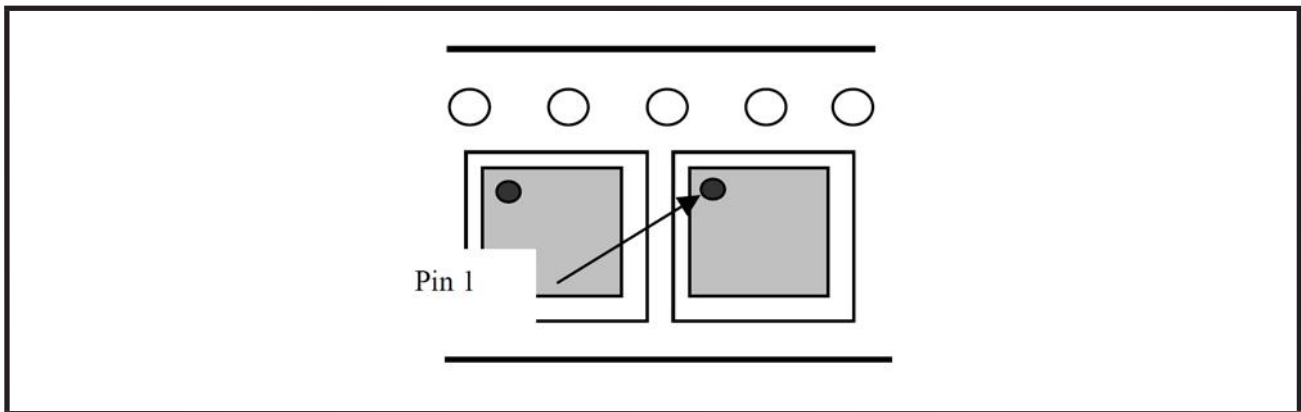


FIGURE 15. PIN 1 ORIENTATION IN TAPE



**Package Information**

Part number	package	MOQ	TAPE SIZE	MSL	Humidity sensitive label	baking time /H	baking temp
WS339EER1	QFN40-6*6	4000	13 INCH	3	Y	6	125

REVISION HISTORY

DATE	REVISION	DESCRIPTION
Aug 2018	1.0	Production Release
Aug 2020	1.1	Add Silk Information and Delete The Polrty Function
NOV 2021	1.2	Change the company LOGO

X-ON Electronics

Largest Supplier of Electrical and Electronic Components

Click to view similar products for [RS-422/RS-485 Interface IC](#) category:

Click to view products by [Guobo Electronics](#) manufacturer:

Other Similar products are found below :

[SP3494CN-L/TR](#) [ISL4486IBZ-T](#) [ISL4491EIB](#) [ISL4491EIBZ-T](#) [ISL81483IB](#) [ISL83086EIB](#) [ISL83088EIB](#) [ISL83488IB](#) [ISL8483EIB](#)
[ISL8487EIB](#) [ISL8489EIB](#) [ISL8491IP](#) [ADM489AN](#) [CA-IF4820HM](#) [CS48505M](#) [CS485S](#) [CS817x22HS](#) [MAX485ESA-MS](#) [MAX3085](#)
[ADM3485EARZ](#) [SP3485EEN](#) [TP3485ES8](#) [MAX3485ESA](#) [ST3485EBDR](#) [ADM485ARZ](#) [CA-IF4820HD](#) [CA-IF1042S-Q1](#) [CA-IF1021D-Q1](#)
[CS48520D](#) [SN65HVD78EIMM/TR](#) [HGX3085ECMM/TR](#) [SP3085EIMM/TR](#) [HGX3085EIMM/TR](#) [SN65HVD72EIMM/TR](#) [HGX485EIN](#)
[RS1905XK](#) [SIT1044QTK](#) [THVD1420DR](#) [MAX3490EESA+T](#) [UM3483EESA](#) [HD588L](#) [HD568N](#) [HD688ADR](#) [CA-IS3080WX](#) [CA-](#)
[IS3086WX](#) [CS817x20HS](#) [CA-IF1044S-Q1](#) [CA-IF4820FS](#) [CA-IF4850HS](#) [GM3490E](#)