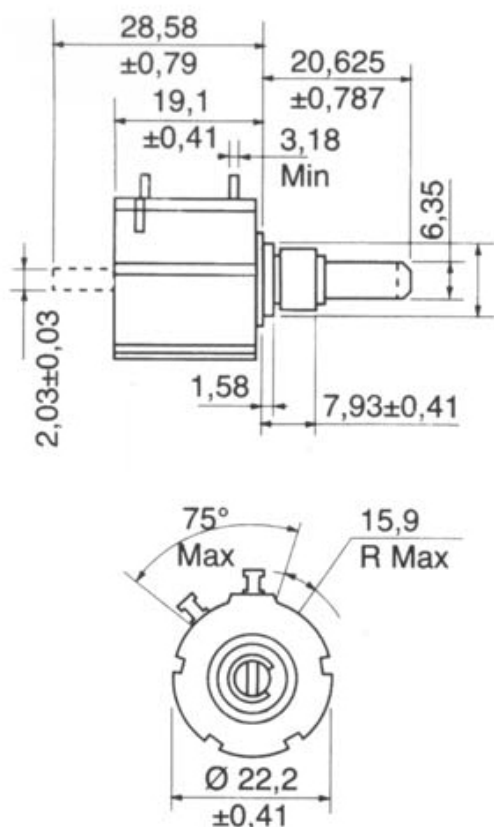


Datasheet of Wire-wound Precision Potentiometer 7286 Series



★Dimensions:



★Characteristics

■Electrical Characteristics

Standard Resistance Range: 100Ω—100KΩ

Resistance Tolerance: ±5%

Independent Linearity: ±0.5%

Effective Electrical Travel: ≥3600°—10°

Terminal Resistance: ≤0.2%R or 5Ω

Noise: ≤3%R or 3Ω

Insulation Resistance: $R_1 \geq 1G\Omega$

Withstand Voltage: 101.3Pa 710V, 8.5kPa 470V

■Environment Characteristics

Rated Power: +70℃ 2W, +125℃ 0W

Temperature Range: -55℃—+125℃

Temperature Coefficient: ±100ppm / °C

Temperature Variation: $\Delta R \leq \pm 2\%R$, $\Delta(U_{ab} / U_{ac}) \leq \pm 1\%$

Vibration: 390m / s², 4000 times, $\Delta R \leq \pm 1\%R$

Collision: 10—500HZ, 0.75mm or 98m/s², 6h,

$\Delta R \leq \pm 1\%R$, $\Delta(U_{ab} / U_{ac}) \leq \pm 2\%$

Climate Category: $\Delta R \leq \pm 3\%R$, $R_1 \geq 100M\Omega$

Electrical Endurance at 70℃: 2W, 1000h, $\Delta R \leq \pm 3\%R$

Mechanical Endurance: 10000 cycles, $\Delta R \leq \pm 3\%R$

Steady-damp-heat: $\Delta R \leq \pm 3\%R$, $R_1 \geq 100M\Omega$

■Physical Characteristics

Total Mechanical Travel: 3600°±10°

Starting Torque: ≤36mN·m

Clutch Torque: ≥300mN·m

Standard Packaging: 10 pcs/box

X-ON Electronics

Largest Supplier of Electrical and Electronic Components

Click to view similar products for [Potentiometers](#) category:

Click to view products by [Guosheng](#) manufacturer:

Other Similar products are found below :

[590SX1N32F103SS](#) [006-0-1](#) [591SXJ48S252SC](#) [591SXP56S252SC](#) [591SXP56S503SC](#) [D31409](#) [70B1G048K502X-A](#) [70B1M032S502W](#)
[70B1N056S202W](#) [70B8N056F502W](#) [70J8N048S104U](#) [70L1N040P103W](#) [70L1N048P103X](#) [70L1N048S103W](#) [81R1A-R22-A20L](#) [85A2A-](#)
[B28-B27/R51](#) [GS1G044P103UA](#) [GS1T032S103UA](#) [A47-200K](#) [A4720K](#) [RA20LASD251A](#) [132-0-0-502](#) [132-2-0-202](#) [132-0-0-102](#) [132-0-0-](#)
[103](#) [132B00301](#) [RK14K1220-F25-C0-A103](#) [RK14K1220F25C0C104](#) [RK14K1220-F25-C1-B103](#) [14910AABHSX10102KA](#)
[14910F0GJSX10105KA](#) [14910FAGJSX10102KA](#) [14910FBGLFY00103KA](#) [14910AABHSX10103KA](#) [14910AABHSX10502KA](#)
[14910FAGJSX10104KA](#) [ASM6674E](#) [152-01031](#) [P140KH1-F15AR50K](#) [P170SPD-FC15BR10K](#) [P231-EC20BR5K](#) [P270-109A](#) [J97589](#)
[P9A2R000FISX1103MA](#) [248BBHS0XB25104MA](#) [248BBHS0XB25503MA](#) [RV170F-10-15R1-B500K-0021](#) [RV24AF-10-15R1-B500-3](#) [A43-](#)
[750](#) [A47-15K](#)