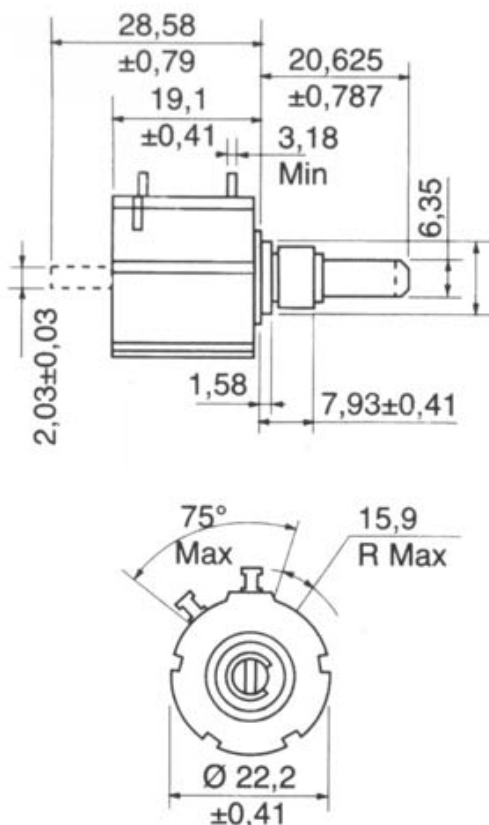


Datasheet of Wire-wound Precision Potentiometer 7286 Series



★Dimensions:



★Characteristics

■Electrical Characteristics

Standard Resistance Range: 100Ω—100KΩ
 Resistance Tolerance: ±5%
 Independent Linearity: ±0.5%
 Effective Electrical Travel: ≥3600°—10°
 Terminal Resistance: ≤0.2%R or 5Ω
 Noise: ≤3%R or 3Ω
 Insulation Resistance: $R_1 \geq 1G\Omega$
 Withstand Voltage: 101.3Pa 710V, 8.5kPa 470V

■Environment Characteristics

Rated Power: +70℃ 2W, +125℃ 0W
 Temperature Range: -55℃—+125℃
 Temperature Coefficient: ±100ppm / °C
 Temperature Variation: $\Delta R \leq \pm 2\%R$, $\Delta(U_{ab} / U_{ac}) \leq \pm 1\%$
 Vibration: 390m / s², 4000 times, $\Delta R \leq \pm 1\%R$
 Collision: 10—500HZ, 0.75mm or 98m/s², 6h,
 $\Delta R \leq \pm 1\%R$, $\Delta(U_{ab} / U_{ac}) \leq \pm 2\%$
 Climate Category: $\Delta R \leq \pm 3\%R$, $R_1 \geq 100M\Omega$
 Electrical Endurance at 70℃: 2W, 1000h, $\Delta R \leq \pm 3\%R$
 Mechanical Endurance: 10000 cycles, $\Delta R \leq \pm 3\%R$
 Steadydamp-heat: $\Delta R \leq \pm 3\%R$, $R_1 \geq 100M\Omega$

■Physical Characteristics

Total Mechanical Travel: 3600°±10°
 Starting Torque: ≤36mN·m
 Clutch Torque: ≥300mN·m
 Standard Packaging: 10 pcs/box

X-ON Electronics

Largest Supplier of Electrical and Electronic Components

Click to view similar products for [Potentiometers](#) category:

Click to view products by [Guosheng](#) manufacturer:

Other Similar products are found below :

[590SX1N32F103SS](#) [006-0-1](#) [591SXJ48S252SC](#) [D31409](#) [70B1G048K502X-A](#) [70B1M032S502W](#) [70B8N056F502W](#) [70J8N048S104U](#)
[70L1N048S103W](#) [81R1A-R22-A20L](#) [85A2A-B28-B27/R51](#) [GS1G044P103UA](#) [GS1T032S103UA](#) [A47-200K](#) [A4720K](#) [RA20LASD251A](#)
[132-0-0-502](#) [132-2-0-202](#) [132-0-0-102](#) [132-0-0-103](#) [132B00301](#) [RK14K1220-F25-C0-A103](#) [RK14K1220F25C0C104](#) [RK14K1220-F25-C1-](#)
[B103](#) [14910AABHSX10102KA](#) [14910F0GJSX10105KA](#) [14910FAGJSX10102KA](#) [14910FBGLFY00103KA](#) [14910AABHSX10103KA](#)
[14910AABHSX10502KA](#) [14910FAGJSX10104KA](#) [ASM6674E](#) [152-01031](#) [P140KH1-F15AR50K](#) [P170SPD-FC15BR10K](#) [P231-EC20BR5K](#)
[P270-109A](#) [J97589](#) [P9A2R000FISX1103MA](#) [248BBHS0XB25104MA](#) [248BBHS0XB25503MA](#) [RV170F-10-15R1-B500K-0021](#) [RV24AF-](#)
[10-15R1-B500-3](#) [A43-750](#) [A47-15K](#) [A4750K](#) [SPPG048S103U](#) [SPPG056P103U](#) [SWE-10](#) [GA2G040F103BA](#)